

**PARTS LIST**

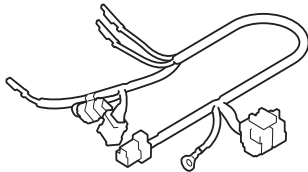
Right fog light



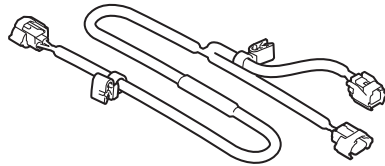
Left fog light



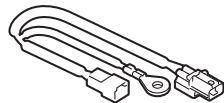
Switch harness



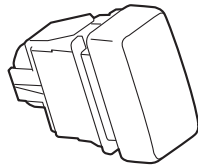
Fog light harness



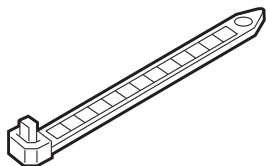
Sub harness



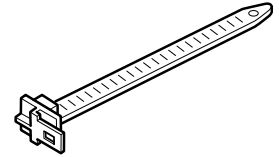
Switch



14 Wire ties



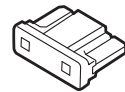
Wire tie with holder



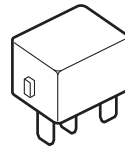
4 Spring nuts



4 Self-tapping screws

20 A fuse  
(Some may not be used.)

Relay

**TOOLS AND SUPPLIES REQUIRED**

Phillips screwdriver

Flat-tip screwdriver

Ratchet

10 mm Socket

Gloves

Blanket

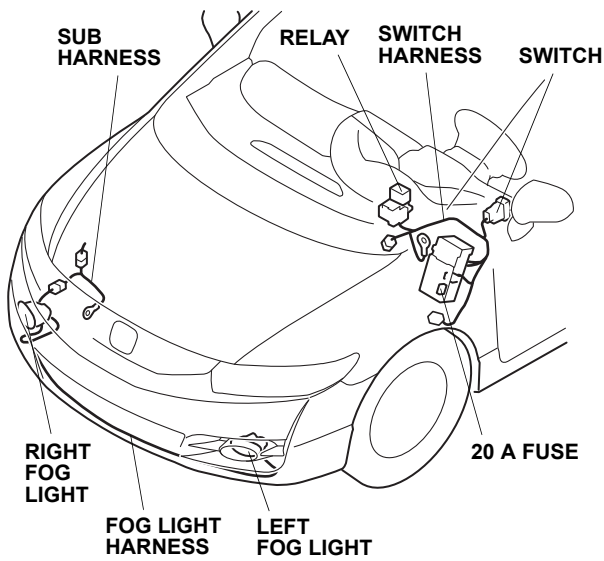
Diagonal cutters

5 mm Hex wrench

Shop towel

Masking tape

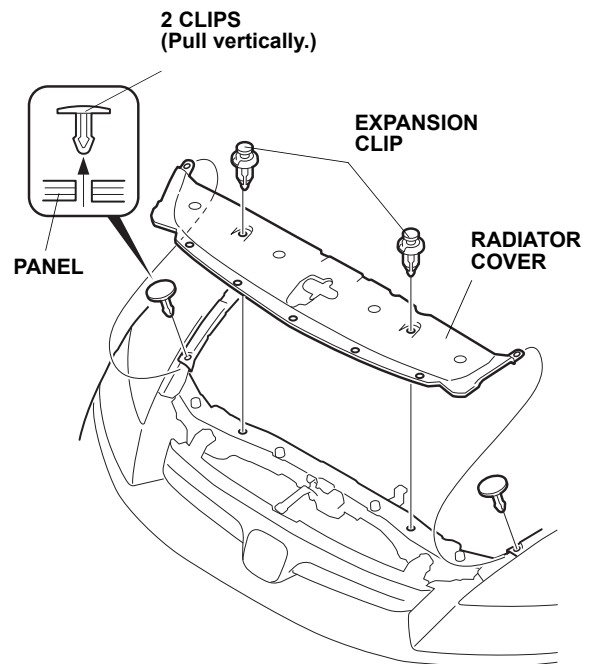
## Illustration of the Fog Lights Installed on the Vehicle



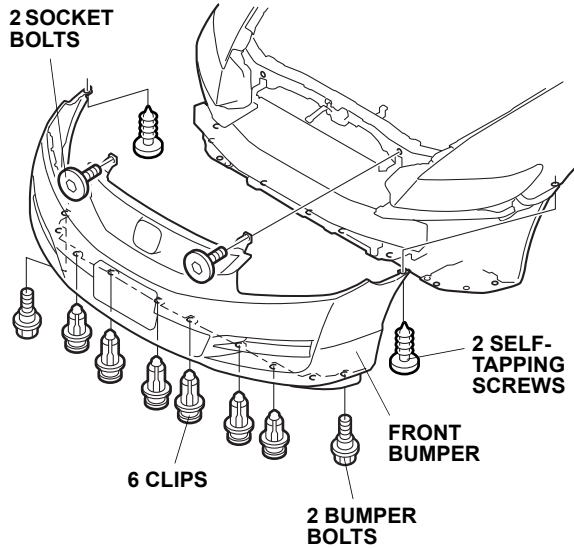
## INSTALLATION

**Customer Information:** The information in this installation instruction is intended for use only by skilled technicians who have the proper tools, equipment, and training to correctly and safely add equipment to your vehicle. These procedures should not be attempted by "do-it-yourselfers."

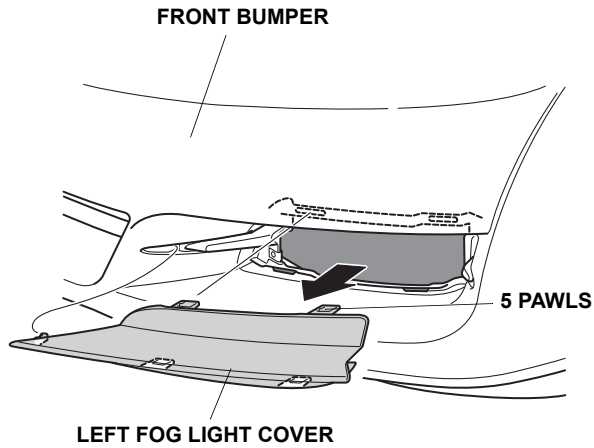
1. Make sure you have the anti-theft codes for the audio system, then write down the radio presets.
2. Disconnect the negative cable from the battery.
3. Remove the radiator cover (two expansion clips and two clips).



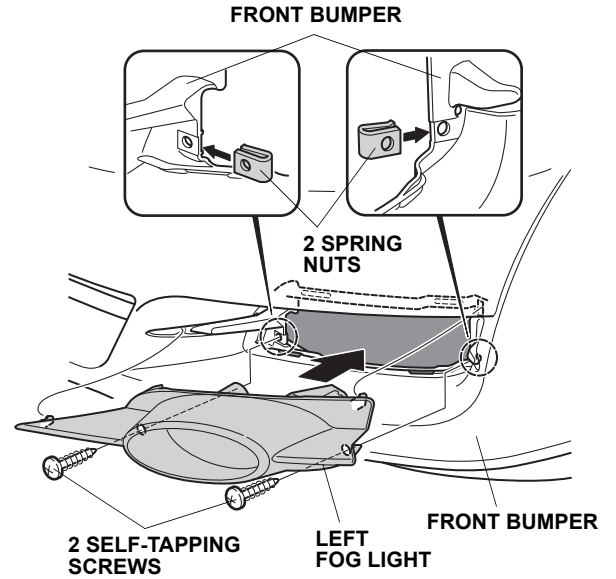
- With the help of an assistant, remove the front bumper (six clips, two self-tapping screws, two socket bolts and two bumper bolts). To prevent damage, set the front bumper on a blanket.



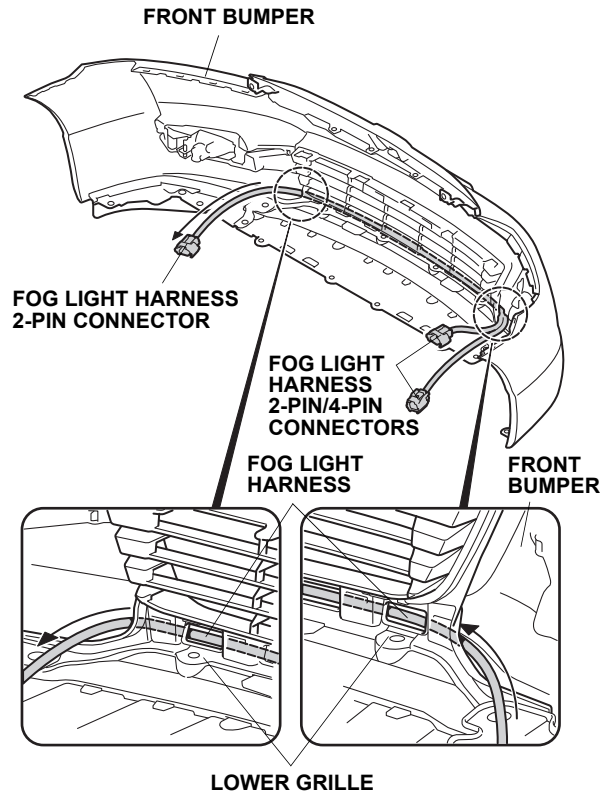
- Remove the left fog light cover (five pawls).



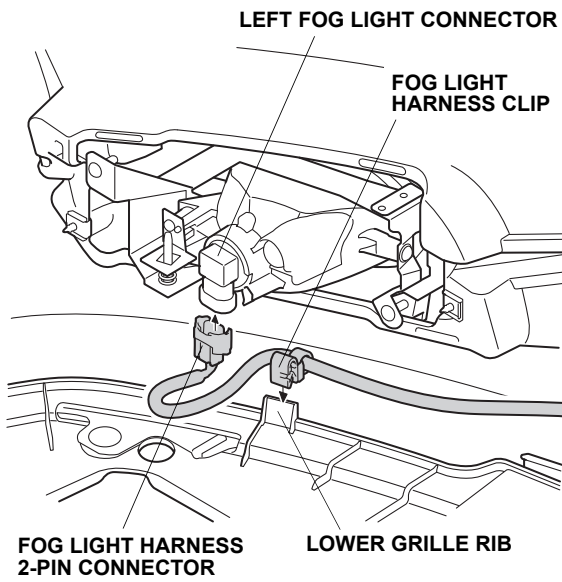
- Install the two spring nuts onto the front bumper.



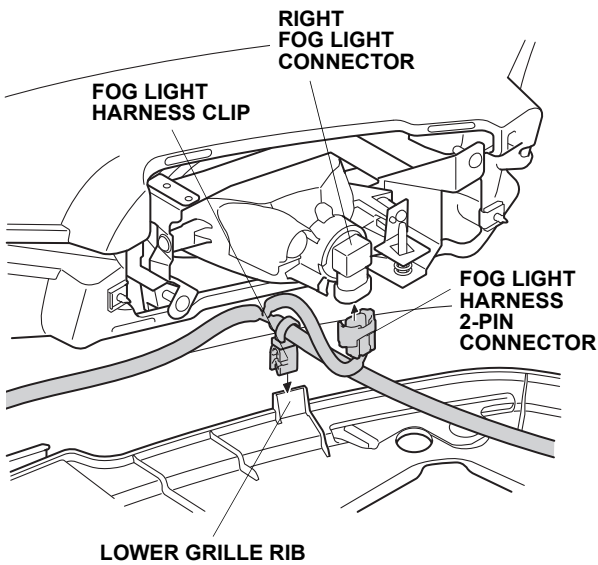
- Install the left fog light to the fog light cover opening, and secure it with two self-tapping screws.
- Repeat steps 5 through 7 on the other side.
- Route the fog light harness 2-pin connector between the lower grille and the front bumper from the right side through the left side.



10. Plug the fog light harness 2-pin connector into the left fog light connector.

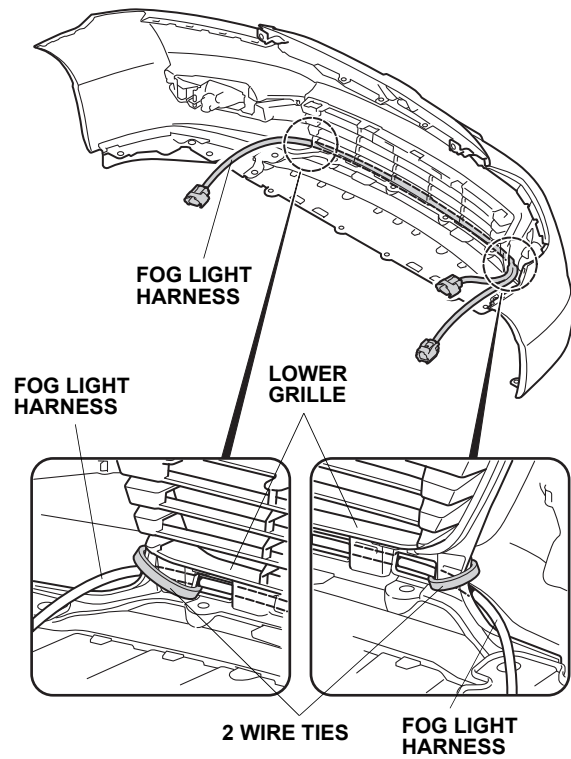


11. Install the fog light harness clip onto the lower grille rib.
12. Plug the fog light harness 2-pin connector into the right fog light connector.

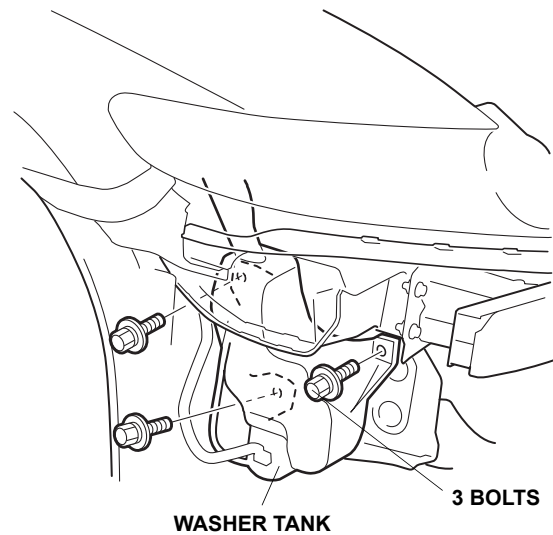


13. Install the fog light harness clip onto the lower grille rib.

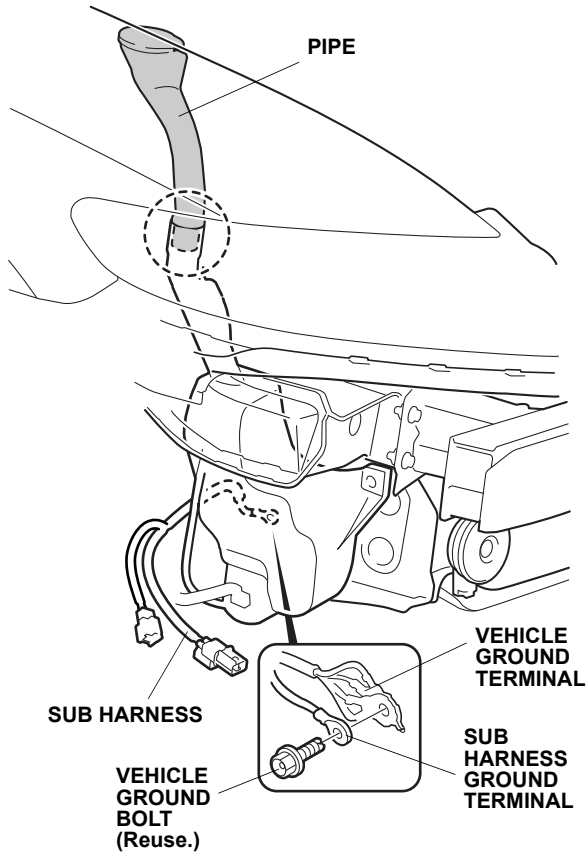
14. Secure the fog light harness to each rib of the lower grille with one wire tie.



15. Remove three bolts from the washer tank.

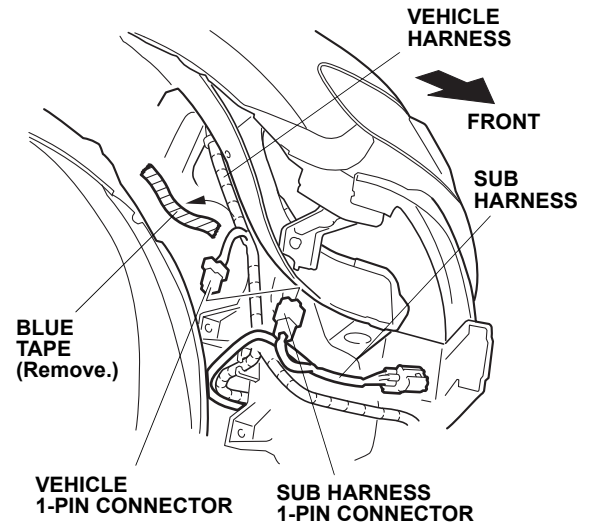


- Remove the vehicle ground bolt, and reinstall it to the vehicle ground terminal with the sub harness ground terminal as shown.

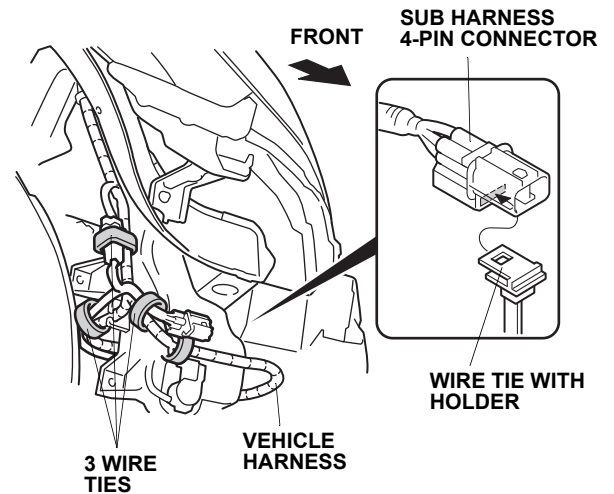


- Reinstall the washer tank. Check that the pipe of the washer tank is installed securely.

- Locate the vehicle 1-pin connector blue-taped to the vehicle harness and remove the blue tape to free the connector. Plug the vehicle 1-pin connector into the sub harness 1-pin connector.

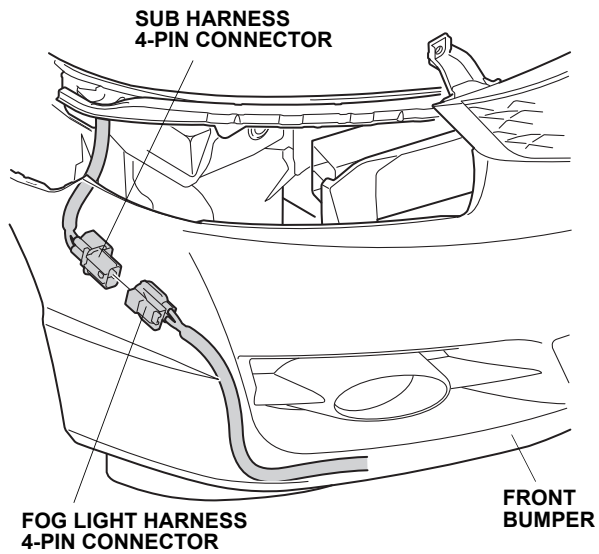


- Route the sub harness as shown and secure it to the vehicle harness using three wire ties.



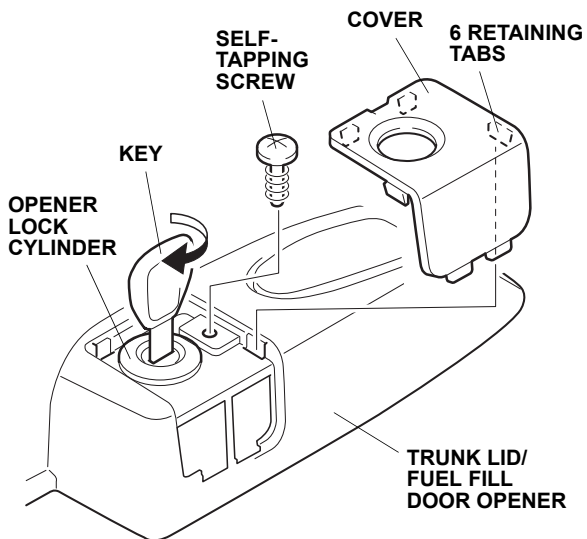
- Install the wire tie with holder on the sub harness 4-pin connector.
- Secure the wire tie with holder to the vehicle harness.

22. Plug the fog light harness 4-pin connector into the sub harness 4-pin connector.



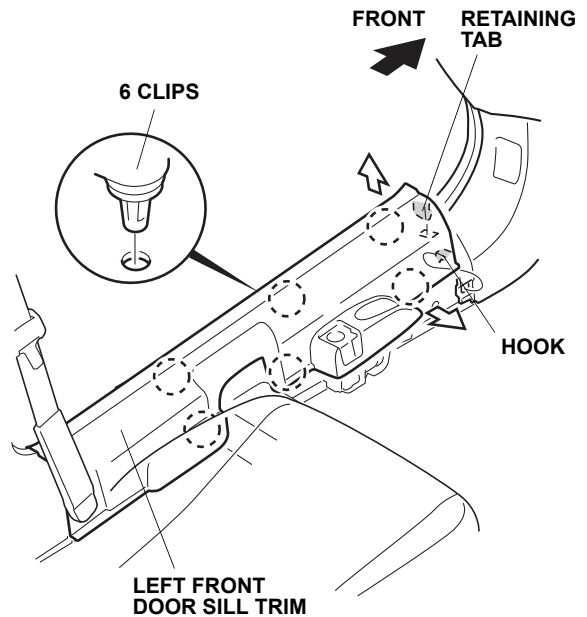
23. Reinstall the front bumper.

24. Remove the cover from the trunk lid/fuel fill door opener (six retaining tabs), and remove one self-tapping screw.



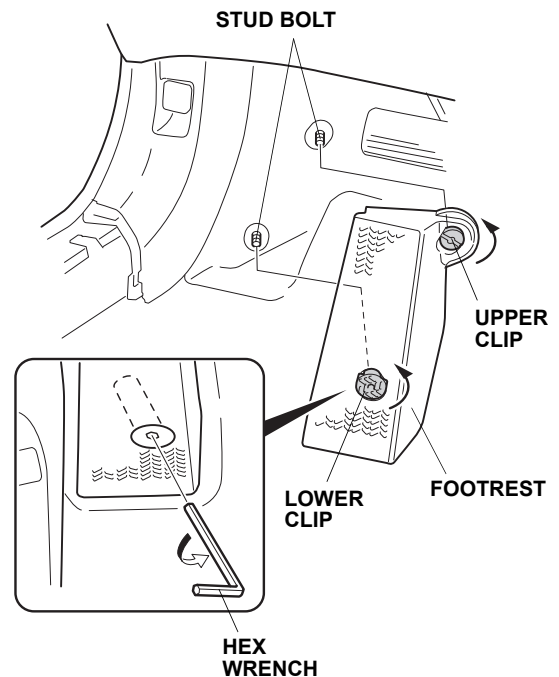
25. Using the key, unlock the opener.

26. Raise the front side of the left front door sill trim (six clips, retaining tab and hook).

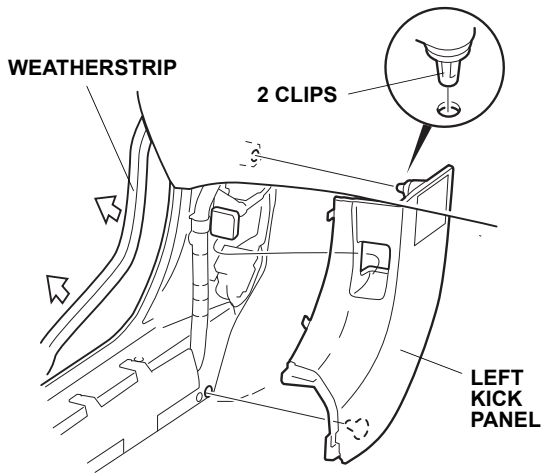


27. Remove the footrest.

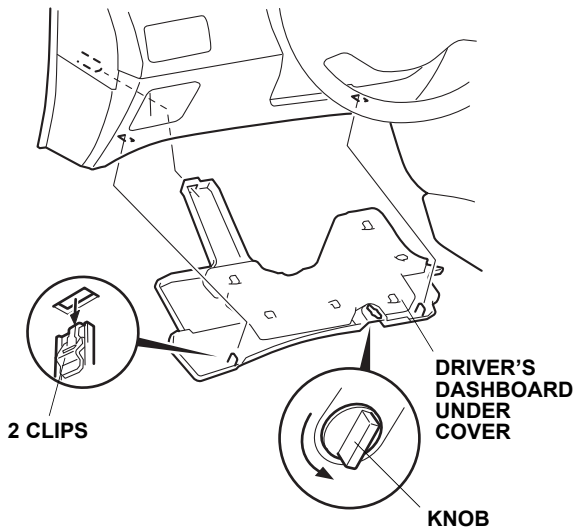
- Using a hex wrench, remove the lower clip from the stud bolt.
- Using a flat-tip screwdriver, remove the upper clip from the stud bolt.



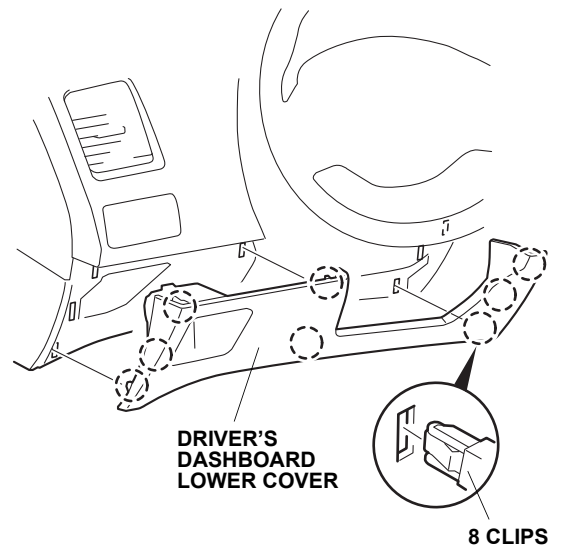
28. Pull away the weatherstrip from the left kick panel and remove the left kick panel (two clips).



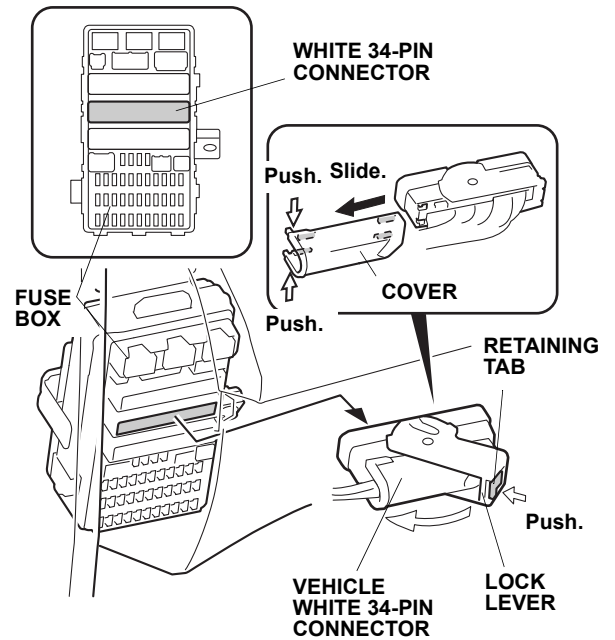
29. Remove the driver's dashboard under cover (turn the lock knob 90° counterclockwise, and release the two clips and pin).



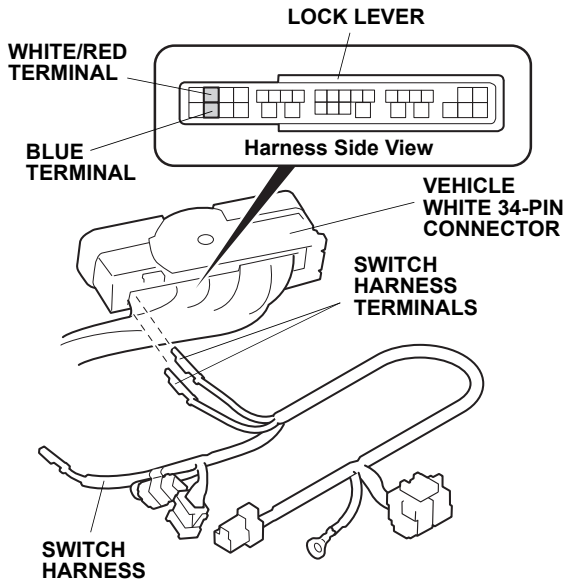
30. Remove the driver's dashboard lower cover (eight clips).



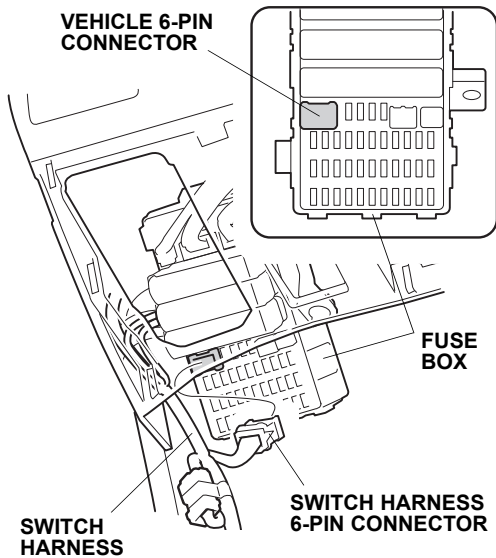
31. Remove the vehicle white 34-pin connector from the fuse box by pushing the retaining tab and raising the lock lever of the connector. Return the lock lever on the vehicle white 34-pin connector and remove the cover by sliding it.



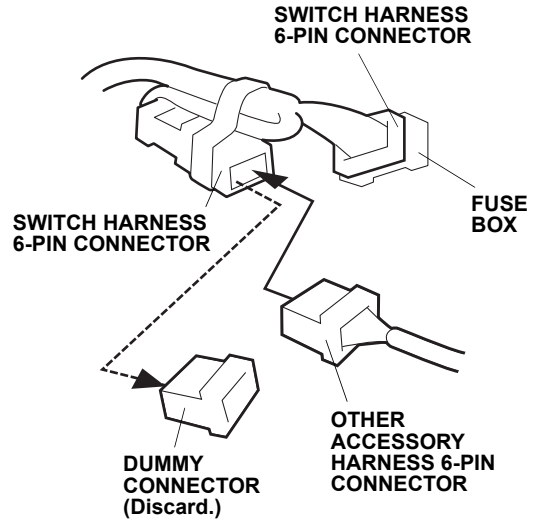
32. Insert the white/red and blue terminals from the switch harness into the vehicle white 34-pin connector.



33. Reinstall the vehicle white 34-pin connector.
34. Plug the switch harness 6-pin connector into the fuse box.

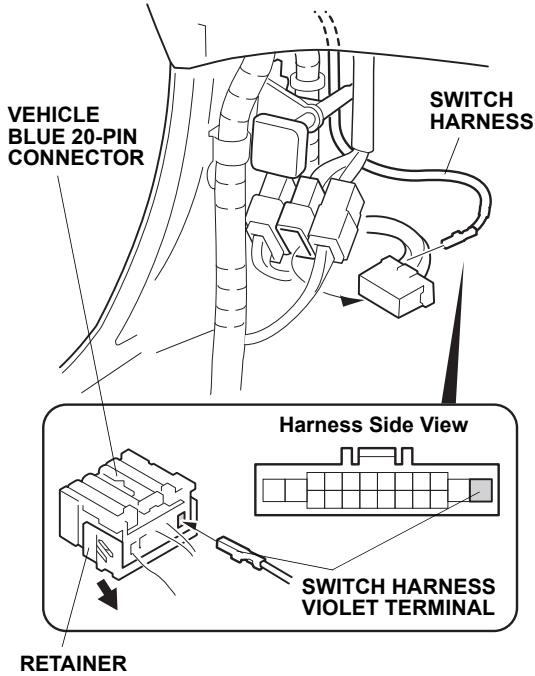


NOTE: If the fuse box 6-pin connector is already being used by another accessory, unplug its 6-pin connector from the fuse box. Locate the 6-pin connector taped to the switch harness, and remove the dummy connector. Plug the other accessory's harness 6-pin connector into the switch harness, and plug the switch harness 6-pin connector into the fuse box.

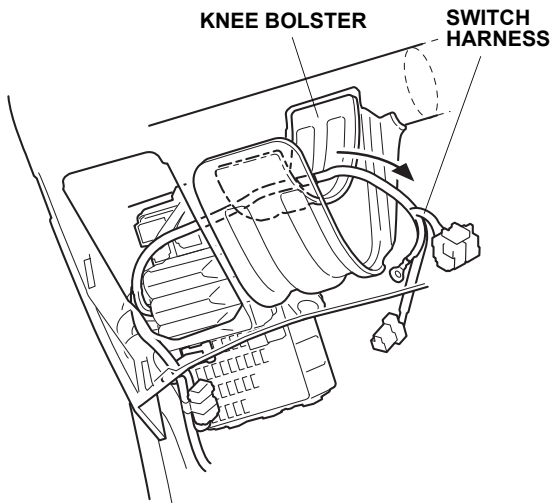




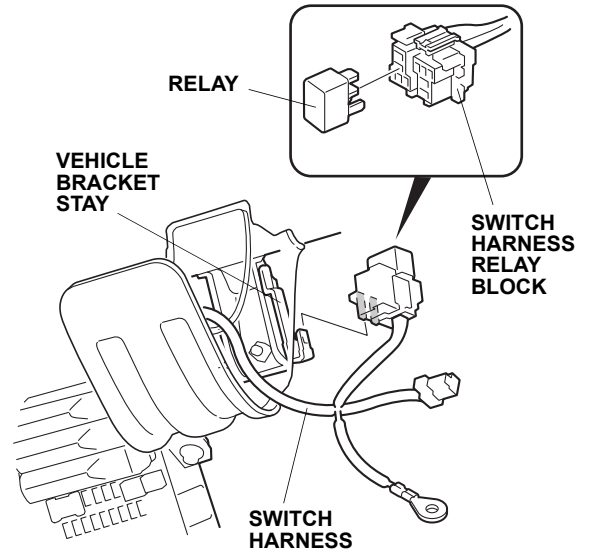
35. Route the terminal from the switch harness down.



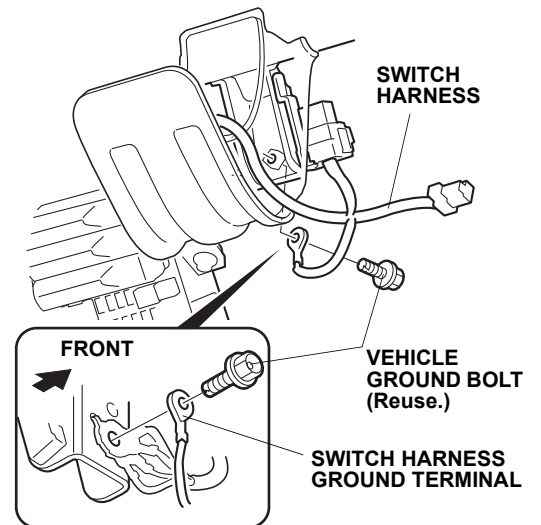
36. Unplug the vehicle blue 20-pin connector.
37. Slide the retainer from the vehicle blue 20-pin connector backward, and insert the violet terminal from the switch harness into the vehicle blue 20-pin connector. Reinstall the vehicle blue 20-pin connector.
38. Route the switch harness relay block above the knee bolster.



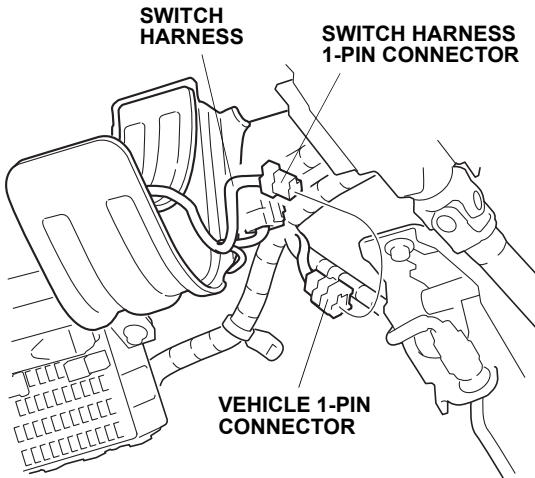
39. Plug the relay into the switch harness relay block, then slide the relay block onto the vehicle bracket stay.



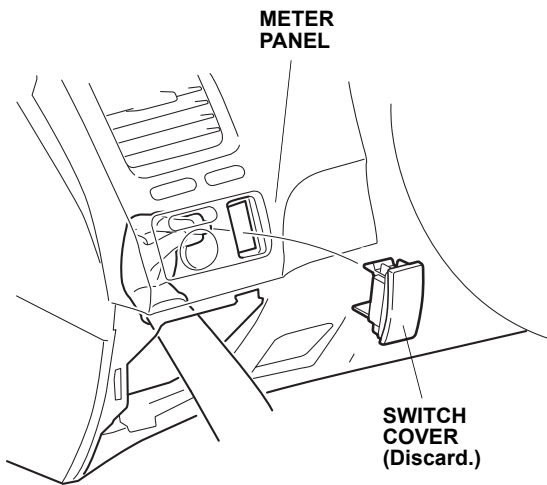
40. Remove the vehicle ground bolt. Install the switch harness ground terminal, then reinstall the vehicle ground bolt.



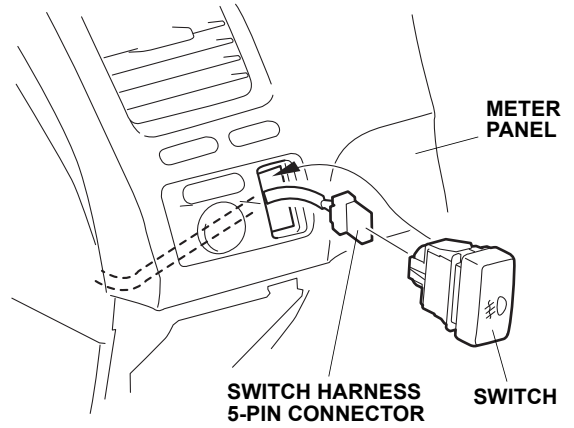
41. Locate the 1-pin connector blue-taped to the vehicle harness. Plug the switch harness 1-pin connector into the vehicle 1-pin connector.



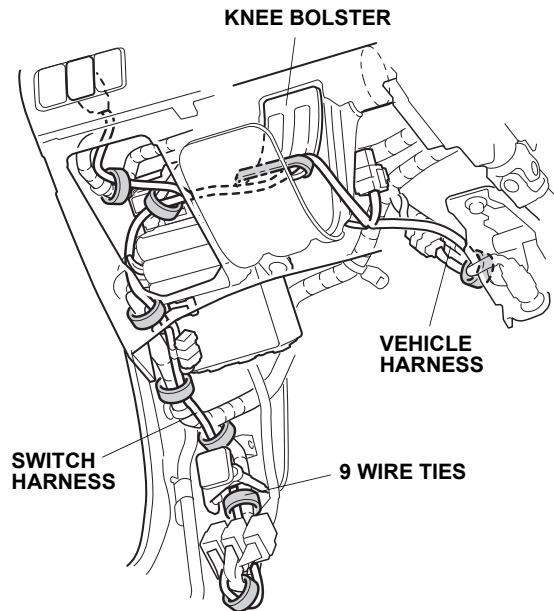
42. While wearing gloves, push the switch cover out from the inner side of the meter panel.



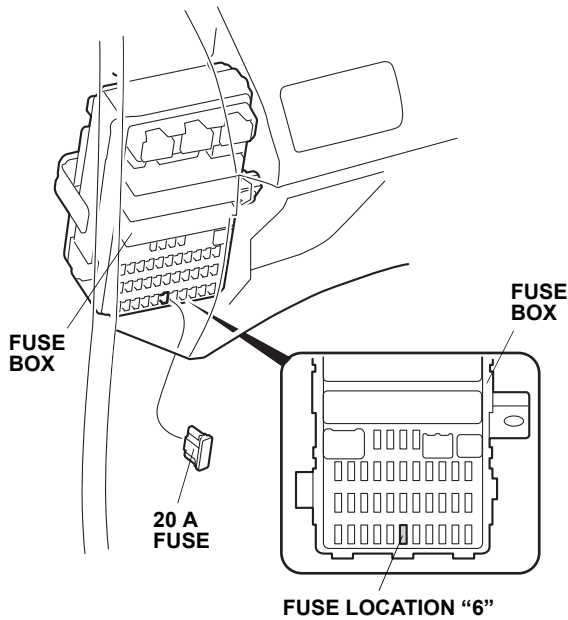
43. Route the switch harness 5-pin connector through the hole.



44. Plug the switch harness 5-pin connector into the switch and install the switch to the meter panel.
45. Secure the switch harness to the vehicle harness and the knee bolster with nine wire ties in the areas shown.



46. Install the 20 A fuse into the fuse box in the location shown. If the fuse is already installed, it is not necessary to install the fuse from the kit.



47. Check that all wire harnesses are routed properly and all connectors are plugged in.  
 48. Reinstall all removed parts.  
 49. Connect the negative cable to the battery and check operation of all lights and other electrical accessories.  
 50. Enter the anti-theft codes for the audio system, and reset the radio station presets.  
 51. Reset the clock.

## USE AND CARE

### How to Operate the Fog Lights

- Turn the light switch to the "☁" position (headlights on low beam).
- Press the fog light switch (indicator is on).

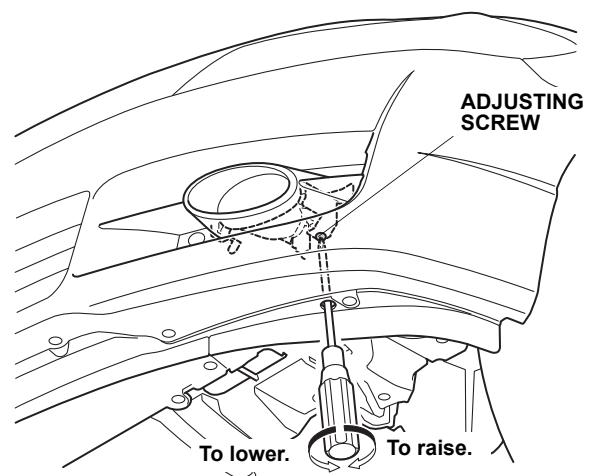
The diagram shows a headlight switch with positions for OFF, Low, and High. A fog light switch is shown below it, with a symbol for fog lights. The fog light switch is labeled 'FOG LIGHT SWITCH'.

		HEADLIGHT SWITCH			
		OFF	☁	☁	
				Low	High
☁	FOG LIGHT SWITCH	OFF	-	-	-
	ON	-	-	ON	-

NOTE: The fog light lenses can cloud when the outside temperature is cold; this is normal and should go away in warm weather.

### Adjusting the Aim

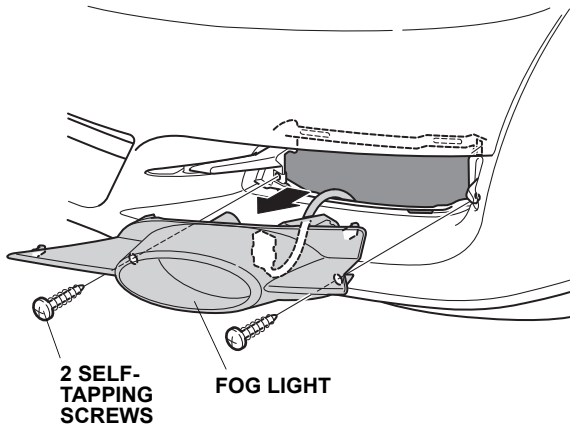
1. Adjust the vertical aim according to local laws and regulations. Turn the adjusting screw in or out until the correct angle is obtained.



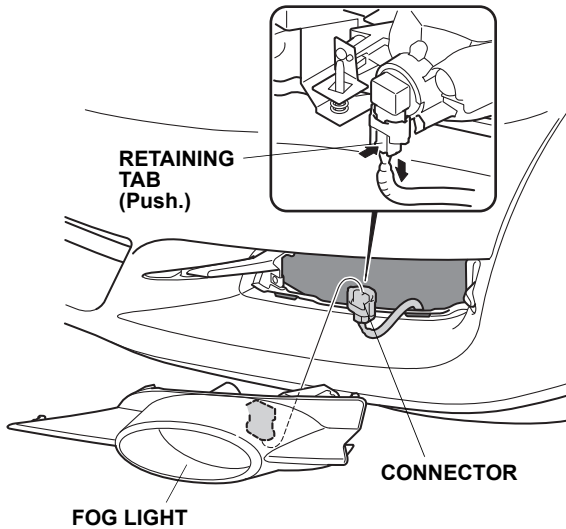
2. Repeat on the right side.

## BULB REPLACEMENT

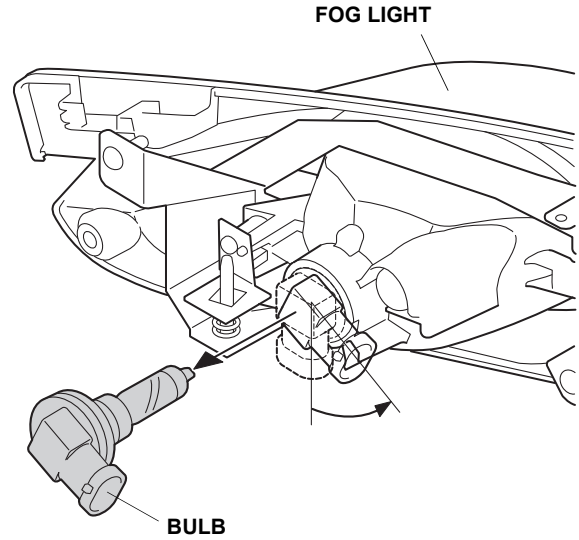
1. Remove the two self-tapping screws, and pull the fog light out toward you.



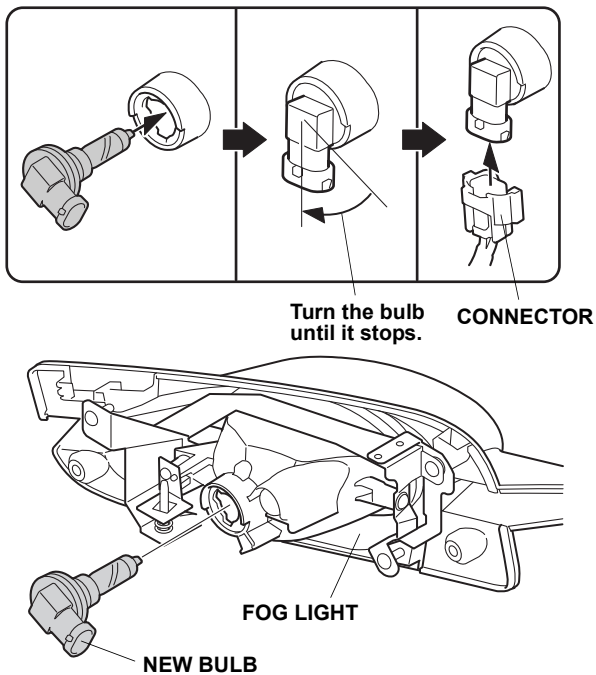
2. Unplug the connector from the fog light while pushing the retaining tab of connector.



3. Remove the bulb from the fog light by turning it.



4. Install a new bulb on the fog light by turning it clockwise until it stops.
  - Take extreme care when replacing the fog light bulb to avoid damaging the lenses or finished surfaces of the body.
  - Use only a Honda Genuine halogen light bulb of specified wattage.  
Rating: 12V 55W H11 Halogen Light Bulb  
P/N33165-S5A-003
  - Do not touch the bulb. Oily or greasy substances on the bulb can shorten its service life due to the heat produced when the bulb is turned on. If the bulb is accidentally touched, wipe it clean with a soft cloth that has been dampened with a denatured alcohol or a mild detergent solution.
  - When installing the new bulb, align the cutout on the fog light with the tab on the new bulb and turn the new bulb in completely. If not properly aligned, the fog light may blind oncoming drivers.



5. Plug the connector into the bulb.
6. Reinstall the fog light.
7. After the replacement, check that the bulb comes on properly. Adjust the fog light aiming adjustment as necessary.