


HONDA
INSTALLATION
INSTRUCTIONS

Accessory
CARGO HOOK
 P/N 08L96-TA0-101A

Application
2013 CIVIC
2 AND 4-DOOR

Publications No.
All 13051

Issue Date
NOV 2012

PARTS LIST

Cargo hook



Bolt



Small washer



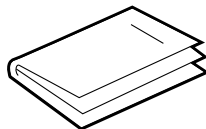
Spring washer



Rivet nut



User's Information Manual


 Flange nut
 (Not used)

 Large washer
 (Not used)
**TOOLS AND SUPPLIES REQUIRED**

Rivet nut tool (T/N 07AAE-000A100)

(Available through the Honda tool and Equipment program. On the iN, click on: Service/Service Bay/Tool and Equipment Program, then enter the number under "Search." Or call 888-424-6857.)

Hex wrench

Open end wrench

10 mm Socket

Ratchet

Extension

Torque wrench

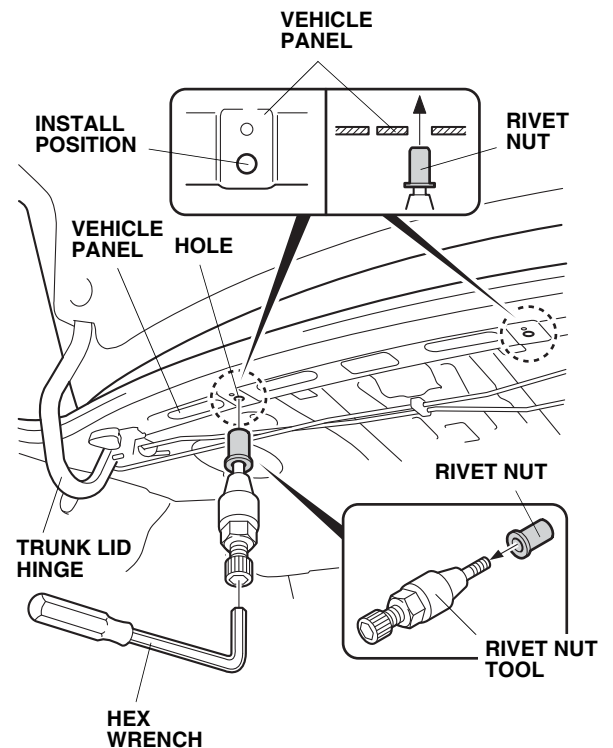
INSTALLATION

Customer Information: The information in this installation instruction is intended for use only by skilled technicians who have the proper tools, equipment, and training to correctly and safely add equipment to your vehicle. These procedures should not be attempted by "do-it-yourselfers."

NOTE:

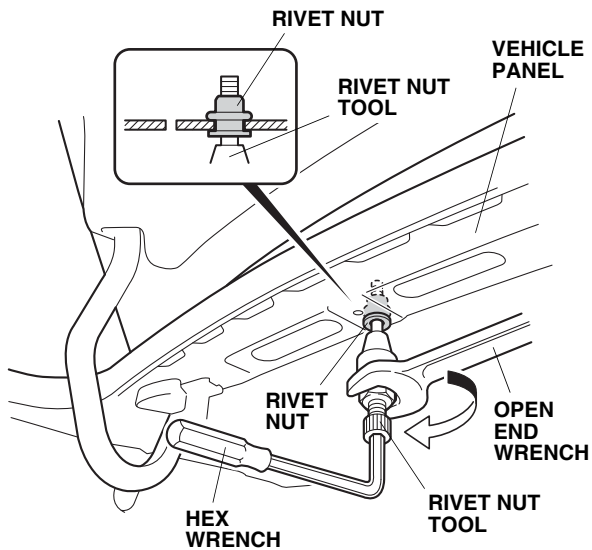
- Be careful not to damage the body.
- This instruction shows a cargo hook being installed on the left side of the vehicle. An additional cargo hook (sold separately) can be installed on the right side of the vehicle.

1. Thread the rivet nut onto the mandrel of the rivet nut tool as shown.



2. Open the trunk lid. Insert the rivet nut into the hole in the vehicle panel, and install the hex wrench on the rivet nut tool.

3. While holding the rivet nut tool with the hex wrench, turn the open end wrench clockwise to install the rivet nut to the vehicle panel.



4. Remove the rivet nut tool from the rivet nut by turning the hex wrench counterclockwise.
5. Align the cargo hook pin with the hole in the vehicle panel, and secure the cargo hook to the vehicle panel using the bolt, small washer, and spring washer. Torque the bolt to 4.0 N·m (3.0 lbf·ft).

