

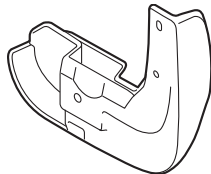


# INSTALLATION INSTRUCTIONS

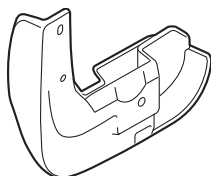
Accessory	Application	Publications No.
SPLASH GUARDS P/N 08P00-TS8-100A	2013 CIVIC 2-DOOR	All 13070
		Issue Date NOV 2012

## PARTS LIST

Left front splash guard



Right front splash guard



Left rear splash guard



Right rear splash guard



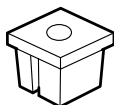
10 Self-tapping screws, 5 x 25 mm



2 Spring nuts



2 Grommets A



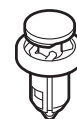
2 Grommets B



2 Self-tapping screws, 5 x 30 mm



3 Clips  
(1 Not used)



## TOOLS AND SUPPLIES REQUIRED

Phillips screwdriver

Stubby Phillips screwdriver

Small flat-tip screwdriver

Pushpin

High-quality paste wax

*The following tool is available through the Honda Tool and Equipment Program. On the iN, click on: Service > Service Bay > Tool and Equipment Program, then enter the number under "Search". Or, call 888-424-6857.*

- Trim Tool Set (T/N SOJATP2014)

## INSTALLATION

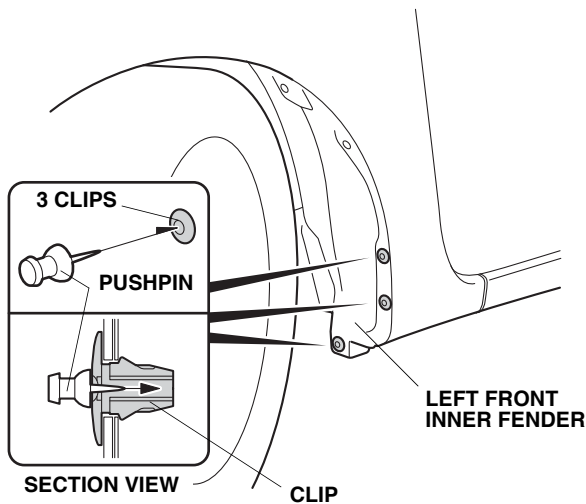
**Customer Information:** The information in this installation instruction is intended for use only by skilled technicians who have the proper tools, equipment, and training to correctly and safely add equipment to your vehicle. These procedures should not be attempted by “do-it-yourselfers.”

### NOTE:

- Be careful not to damage the paint finish.
- These instructions show the left splash guards being installed. The same procedure applies to installing the right splash guards.
- Clean and wax the areas to be covered with a high-quality paste wax.

### Installing the Front Splash Guards

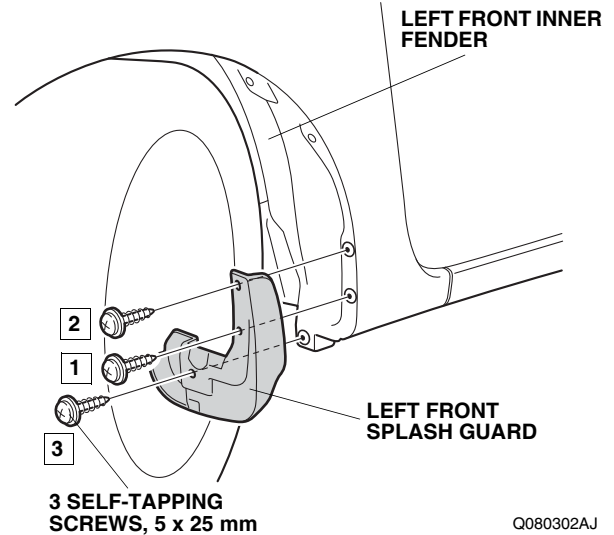
1. Turn the steering wheel fully counterclockwise.



Q080301BJ

2. Using a pushpin, pierce the centers of the three clips shown on the left front inner fender.

3. Secure the left front splash guard with three 5 x 25 mm self-tapping screws in the order shown below. NOTE: Make sure there is no gap between the left front splash guard and the vehicle body. If there is a gap, loosen the self-tapping screws, hold the splash guard against the body, and retighten the screws.

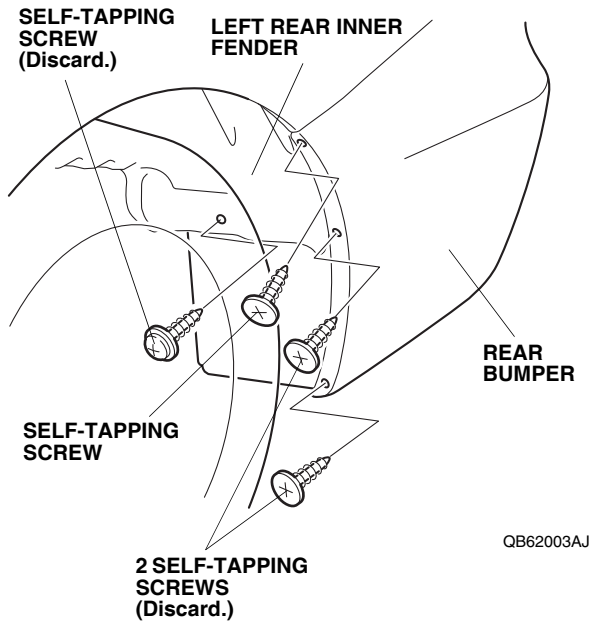


Q080302AJ

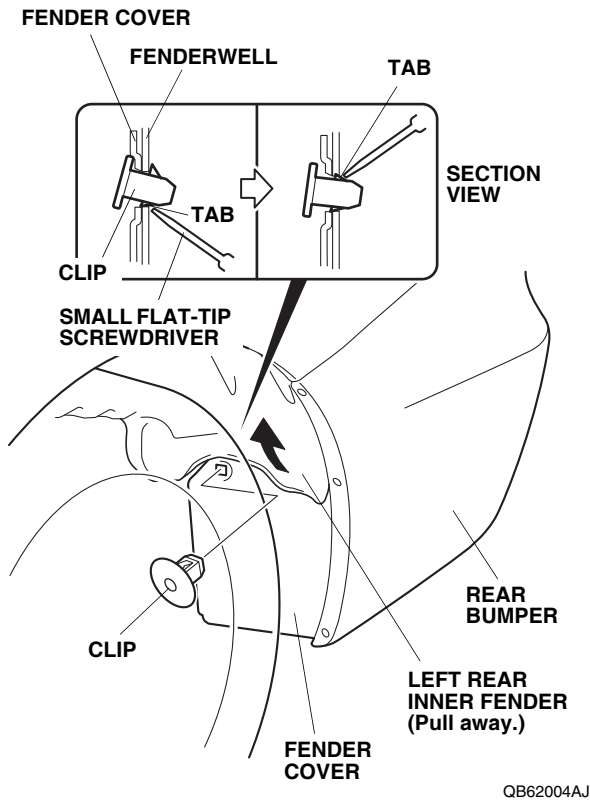
4. Turn the steering wheel fully clockwise, and repeat steps 2 and 3 to install the right front splash guard on the right side of the vehicle.

## Installing the Left Rear Splash Guard

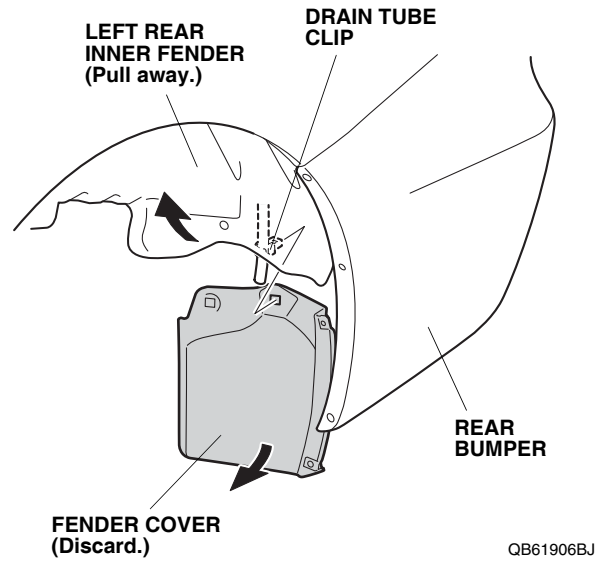
- Remove four self-tapping screws from the rear bumper and the left rear inner fender.



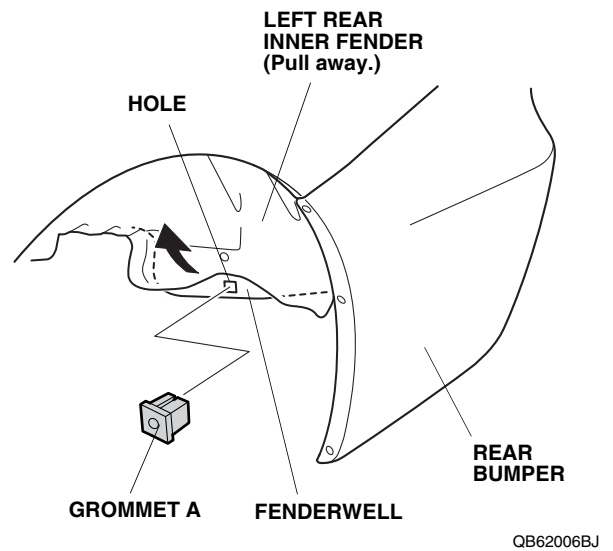
- Working inside the fenderwell, use a small flat-tip screwdriver to release the tabs on the clip, then remove the clip with a trim tool.



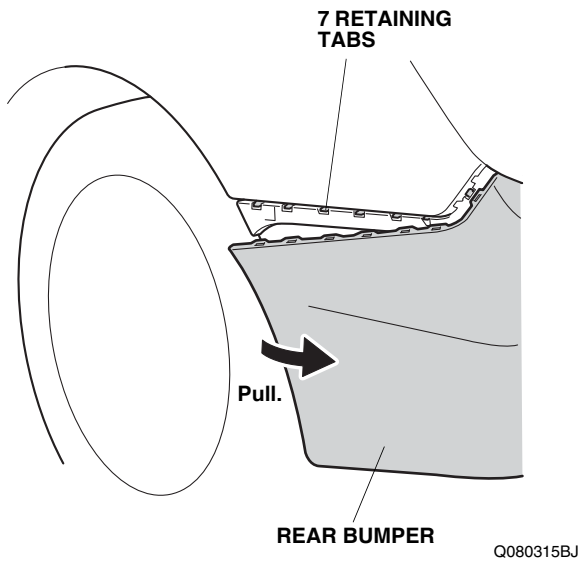
- Remove the fender cover (one drain tube clip).



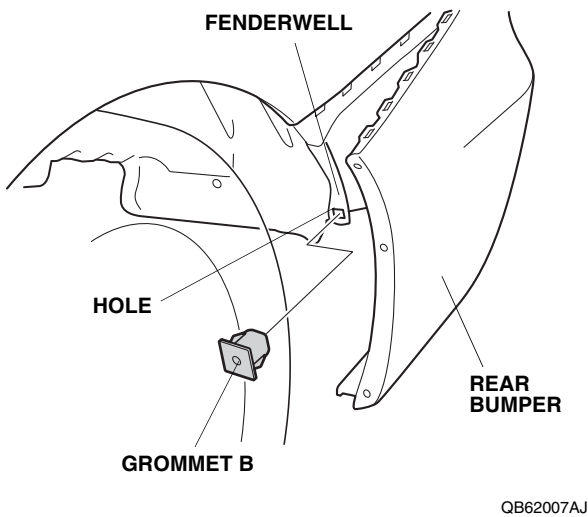
- Install one grommet A into the hole in the fenderwell.



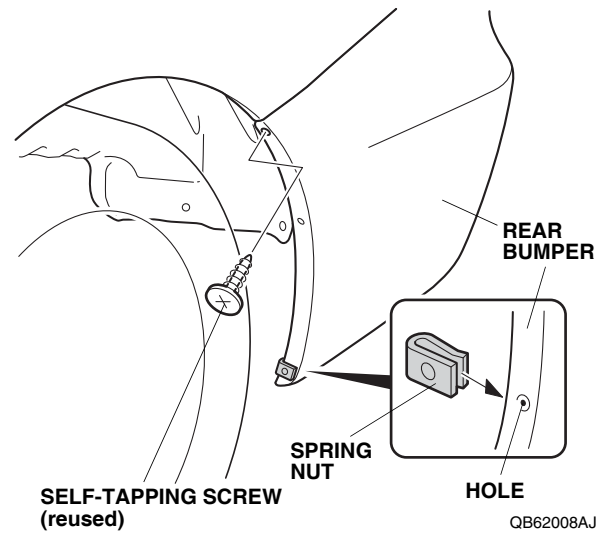
9. Pull the rear bumper away from the body, and release the seven retaining tabs.



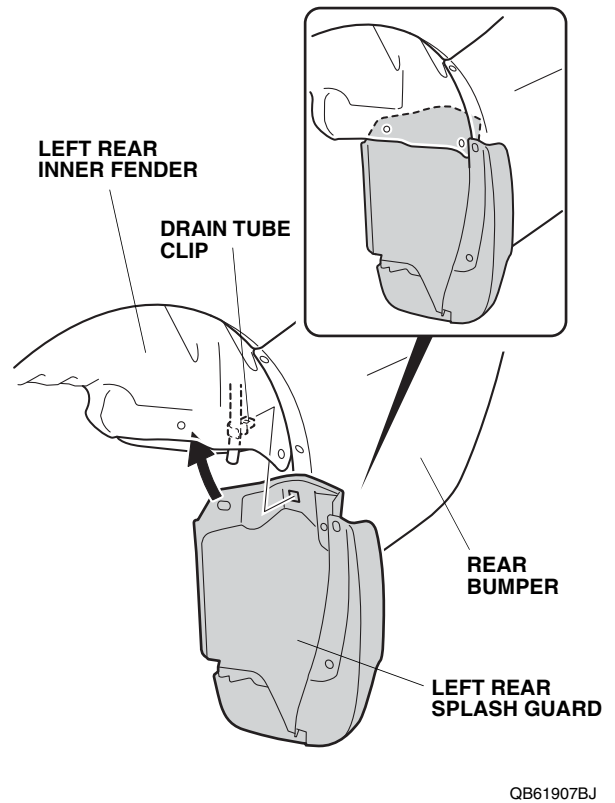
10. Install one grommet B into the hole in the fenderwell.



11. Reinstall the rear bumper onto the retaining tabs, and reinstall one self-tapping screw.

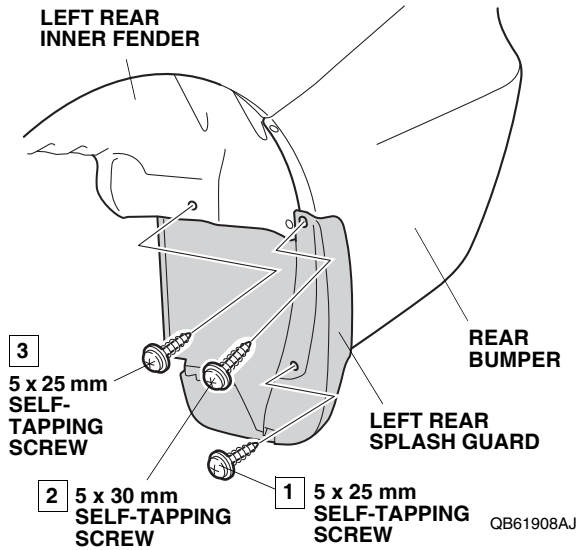


12. Install one spring nut over the hole in the rear bumper. Make sure to install the spring nut in the correct position and orientation.
13. Attach the left rear splash guard on the inner side of the left rear inner fender, and install the drain tube clip to the left rear splash guard.



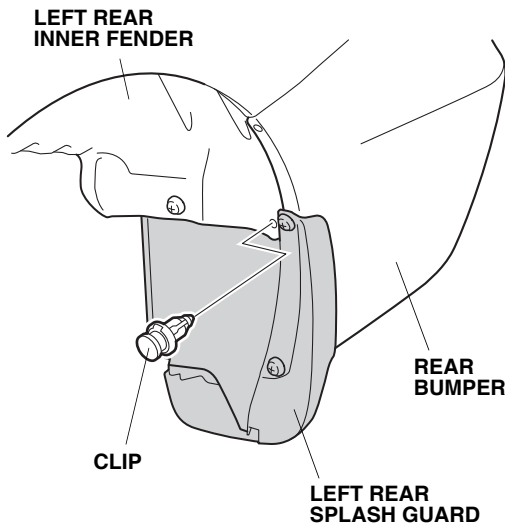
- Secure the left rear splash guard with two 5 x 25 mm self-tapping screws and one 5 x 30 mm self-tapping screw in the order shown below.

NOTE: Make sure there is no gap between the left rear splash guard and the bumper. If there is a gap, loosen the self-tapping screws, hold the splash guard against the bumper, and retighten the screws.



QB61908AJ

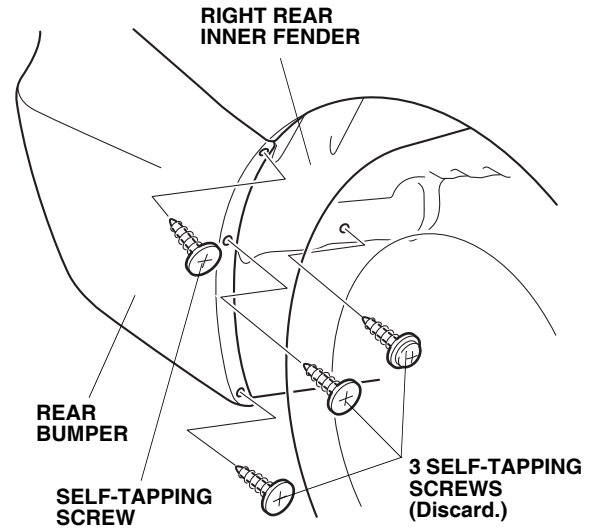
- Secure the left rear splash guard with one clip.



QB61909BJ

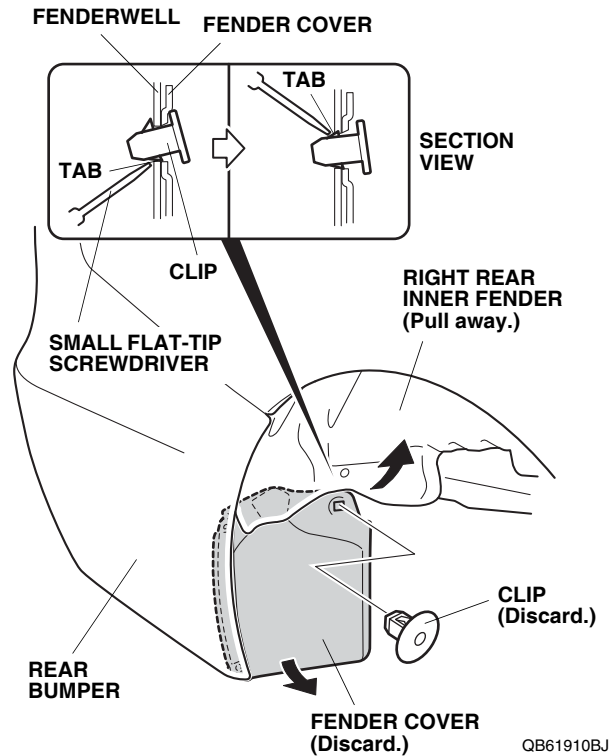
### Installing the Right Rear Splash Guard

- Remove four self-tapping screws from the rear bumper and the right rear inner fender.



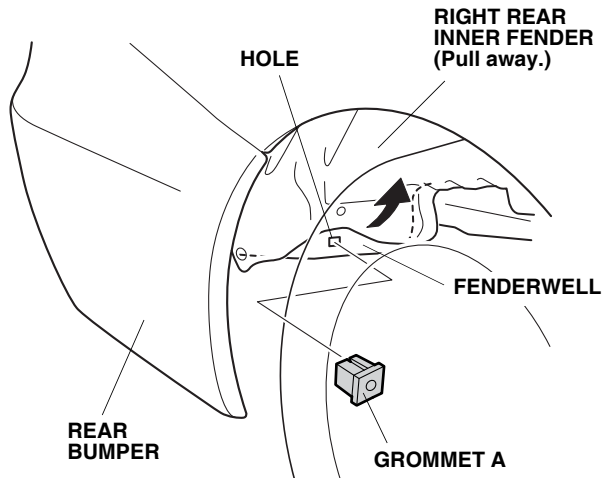
QB62009AJ

- Working inside the fenderwell, use a small flat-tip screwdriver to release the tabs on the clip, then remove the clip with a trim tool. Remove the fender cover.



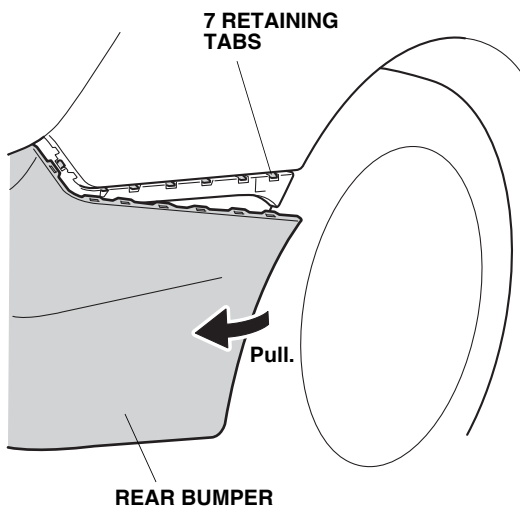
QB61910BJ

18. Install one grommet A into the hole in the fenderwell.



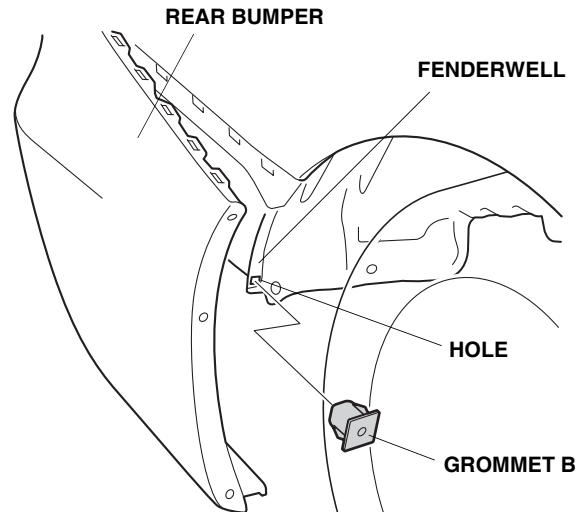
QB80712AJ

19. Pull the rear bumper away from the body, and release the seven retaining tabs.



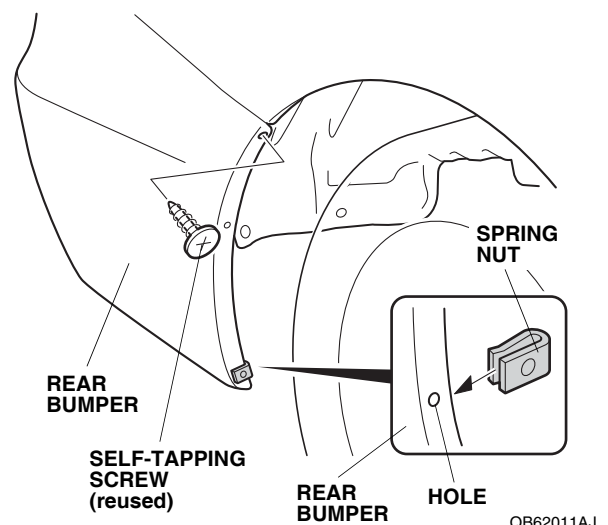
Q080333AJ

20. Install one grommet B into the hole in the fenderwell.



QB62010AJ

21. Reinstall the rear bumper onto the retaining tabs, and reinstall one self-tapping screw.

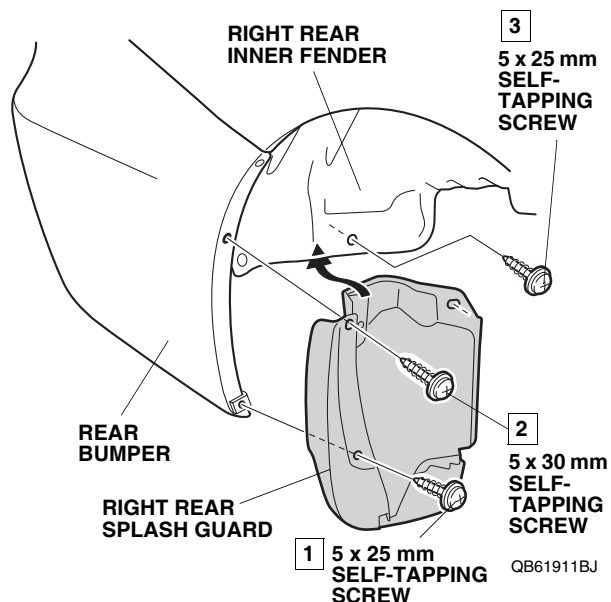


QB62011AJ

22. Install one spring nut over the hole in the rear bumper. Make sure to install the spring nut in the correct position and orientation.

23. Attach the right rear splash guard on the inner side of the right rear inner fender, and secure the right rear splash guard with two 5 x 25 mm self-tapping screws and one 5 x 30 mm self-tapping screw in the order shown below.

NOTE: Make sure there is no gap between the right rear splash guard and the bumper. If there is a gap, loosen the self-tapping screws, hold the splash guard against the bumper, and retighten the screws.



24. Secure the right rear splash guard with one clip.

