



## INSTALLATION INSTRUCTIONS

Accessory  
**CENTER PANEL/AIR OUTLET TRIM KIT**

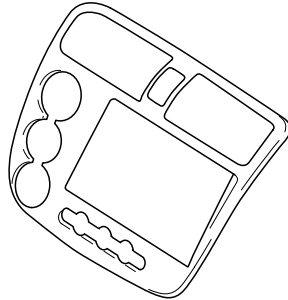
Application  
**CIVIC  
 2- AND 4-DOOR**

Publications No.  
**All 23118**

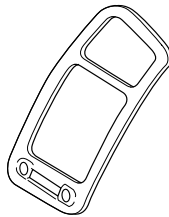
Issue Date  
**SEP 2001**

### PARTS LIST

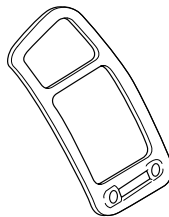
Center panel



Right air outlet trim



Left air outlet trim



### Supplies Required

Isopropyl alcohol  
 Shop Towel  
 Masking Tape  
 Sponges

### Important:

Trim parts will **NOT** stick to surfaces that have been treated with any type of protectant. The isopropyl alcohol only removes surface dirt and fingerprints.

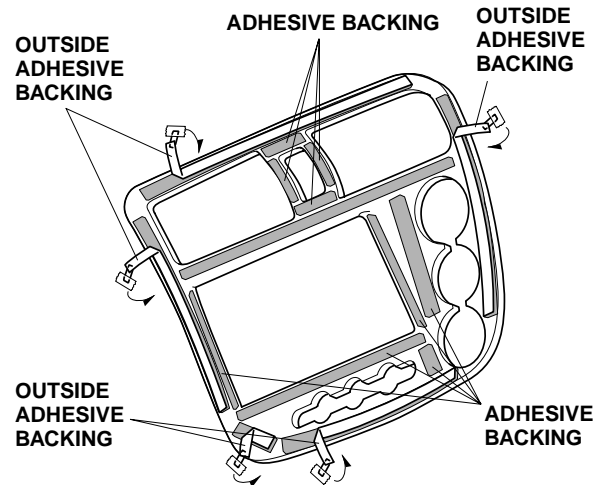
### INSTALLATION

NOTE: This center panel/air outlet trim kit should be installed only when the ambient air temperature is 60°F (15°C) or above.

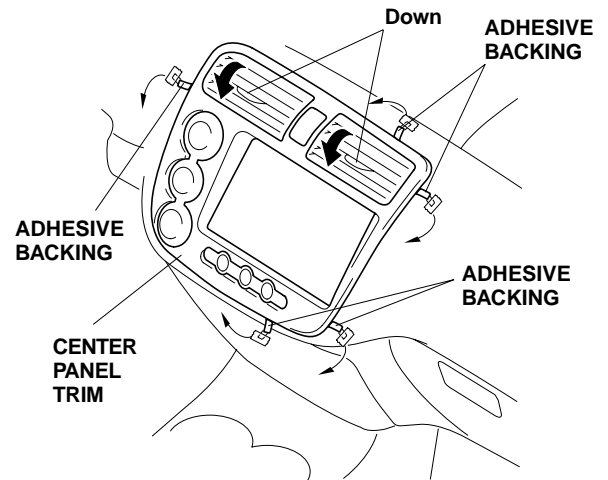
#### Installing the Center Panel Trim

- Using isopropyl alcohol, clean the area where the center panel will attach. Use a sponge to apply isopropyl alcohol, and allow it to dry thoroughly before attaching the trim panel.

- Peel back the outside pieces from the adhesive backings, and attach them to the front of the meter panel with masking tape.



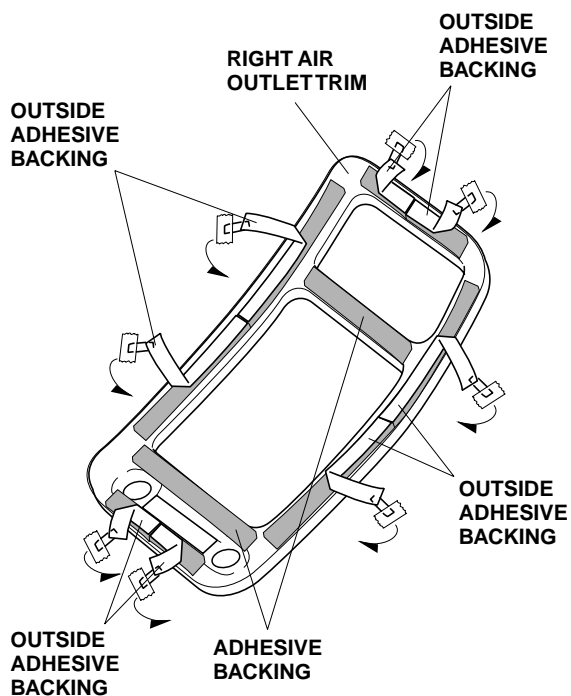
- Remove the adhesive backing from all of the other locations.
- With the air duct outlet facing down, attach the center panel trim to the center panel.



- While holding light pressure against the center panel trim, carefully remove the adhesive backings.

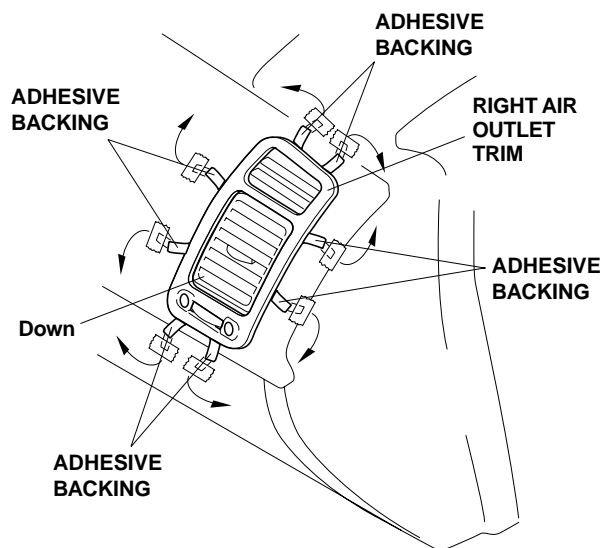
## Installing the Air Outlet Trim

- Using isopropyl alcohol, clean the area where the right air duct outlet trim will attach. Use a sponge to apply the isopropyl alcohol, and allow it to dry thoroughly before attaching the outlet trim.
- Peel back the outside pieces from the adhesive backings, and attach them to the front of the air outlet trim with masking tape.



- Remove the adhesive backing from all of the other locations.

- With the air outlet trim facing down, attach the air outlet trim to the air outlet.



- While holding light pressure against the air outlet trim, carefully remove the adhesive backings.
- Repeat steps 6 through 10 to install the left air outlet trim.