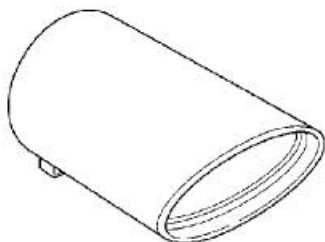
 <b>HONDA</b> <b>INSTALLATION INSTRUCTIONS</b>	Accessory <b>EXHAUST PIPE TRIM</b> GOLD: P/N 08F53-S5D-100F CHROME: P/N 08F53-S5D-100	Application <b>2001 CIVIC</b> <b>2- AND 4-DOOR</b>	Publications No. <b>All 21894</b>
			Issue Date <b>SEP 2000</b>

**PARTS LIST**

Exhaust pipe trim



Flange bolt, 6 x 14 mm

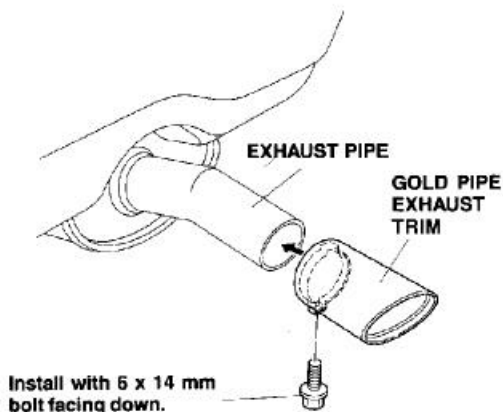


**TOOLS REQUIRED**

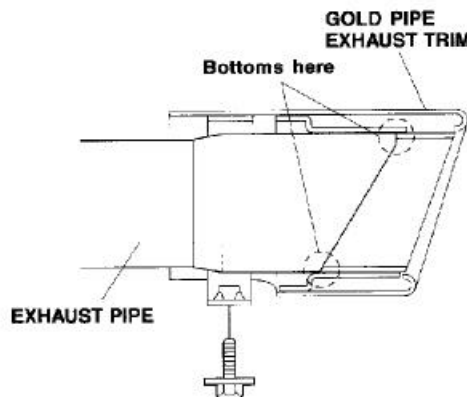
- 10 mm Combination wrench
- Torque wrench
- 10 mm Socket

**INSTALLATION**

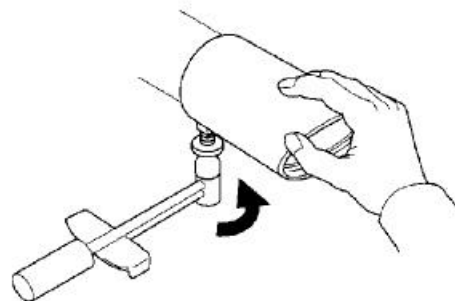
1. Allow the exhaust pipe to cool down before you install the gold exhaust pipe trim.
2. Remove the original exhaust pipe finisher.
3. Partially thread the 6 mm flange bolt into the gold exhaust pipe trim.



4. With the 6 mm flange bolt facing down, slide the gold exhaust pipe trim onto the exhaust pipe until it bottoms against the exhaust pipe.



5. While pushing the gold exhaust pipe trim firmly against the exhaust pipe, torque the 6 x 14 mm flange bolt to 10 N·m (7 lb-ft).



6. Start the engine, and rev it up a few times. Listen for any rattling noise coming from the gold exhaust pipe trim, and adjust as necessary.