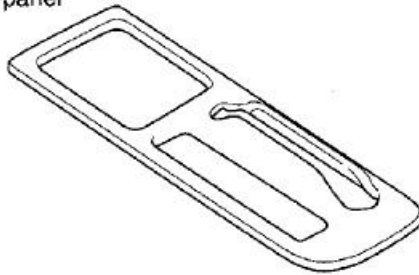
 HONDA INSTALLATION INSTRUCTIONS	Accessory	Application	Publications No.
	TRIM KIT	2001 CIVIC 2- AND 4-DOOR (A/T ONLY)	All 21912 Issue Date SEP 2000

PARTS LIST

Trim panel



Center console panel



SUPPLIES REQUIRED

- Isopropyl alcohol
- Shop towel

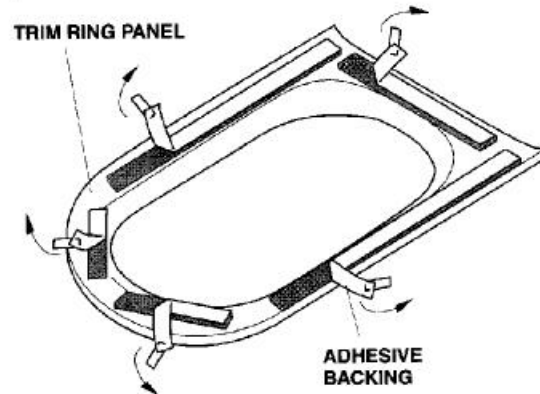
INSTALLATION

NOTE:

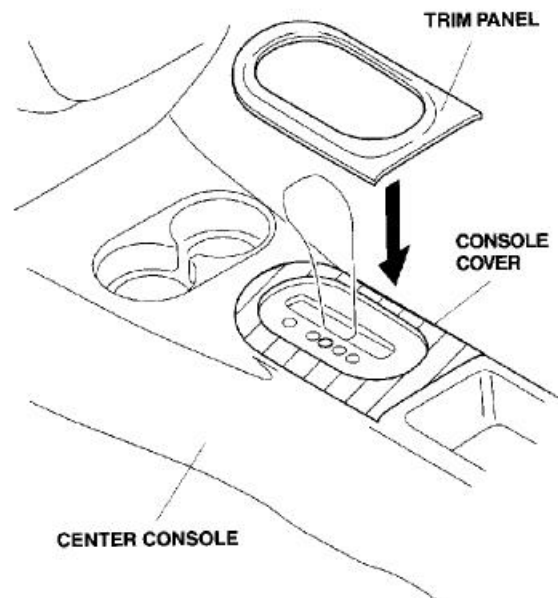
- Be extremely careful not to damage the center console or any other finished surfaces of the body.
- This trim panel should be installed only if the ambient air temperature is 60°F (15°C) or above.

Installing the Trim Panel

1. Using isopropyl alcohol on a shop towel, thoroughly clean the console cover in the area where the trim panel will attach.
2. Place the shift knob in the N (Neutral) position.
3. Remove the adhesive backing from the trim ring panel.



4. Attach the trim ring panel to the console cover, aligning the rear end of the trim ring panel with the rear end of the console cover. After attaching the trim ring panel, hold it firmly against the center console with the palm of your hand for about 30 seconds.

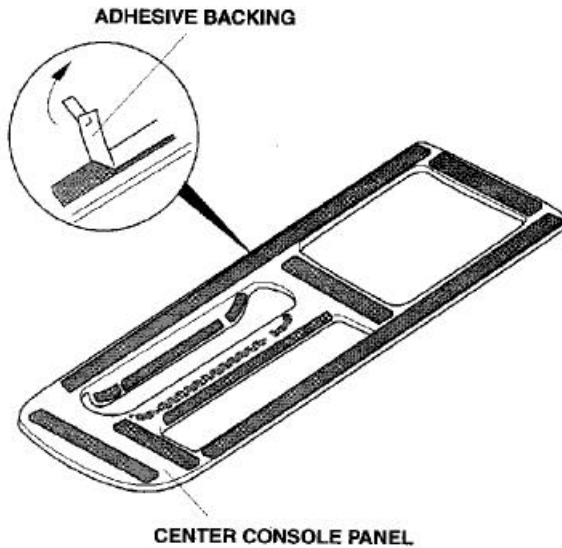


PUB No. Title
AI AII21912 2001 CIVIC A/T TRIM KIT

Issued
09/12/00

Installing the Center Console Panel

- Using isopropyl alcohol on a shop towel, thoroughly clean the center console tray in the area where the center console panel will attach.
- Remove the adhesive backing from the center console panel.



- Attach the center console panel to the center console tray, aligning the front end of the center console panel with the front end of the center console tray. After attaching the center console panel, hold it firmly against the center console tray with the palm of your hand for about 30 seconds.

