



INSTALLATION INSTRUCTIONS

Accessory
GOLD EMBLEMS

Application
**2000 CIVIC
2/3/4-DOOR**

Publications No.
All 20445
Issue Date
AUG 1999

PARTS LIST

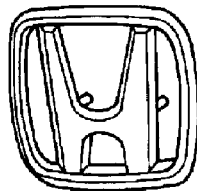
Gold Emblems:

2-Door P/N 08F20-S02-100-K

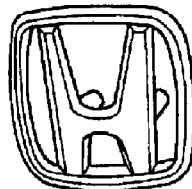
3-Door P/N 08F20-S03-100-K

4-Door P/N 08F20-S04-100-K

Front gold "H" emblem
(without adhesive)



Rear gold "H" emblem
(with adhesive)



Rear gold "CIVIC"
emblem



TOOLS AND SUPPLIES REQUIRED

Phillips screwdriver
Flat-tip screwdriver
10 mm Open-end wrench
Cardboard
Shop towel
Diagonal cutters
Needle-nose pliers
Masking tape
String
Isopropyl alcohol

INSTALLATION

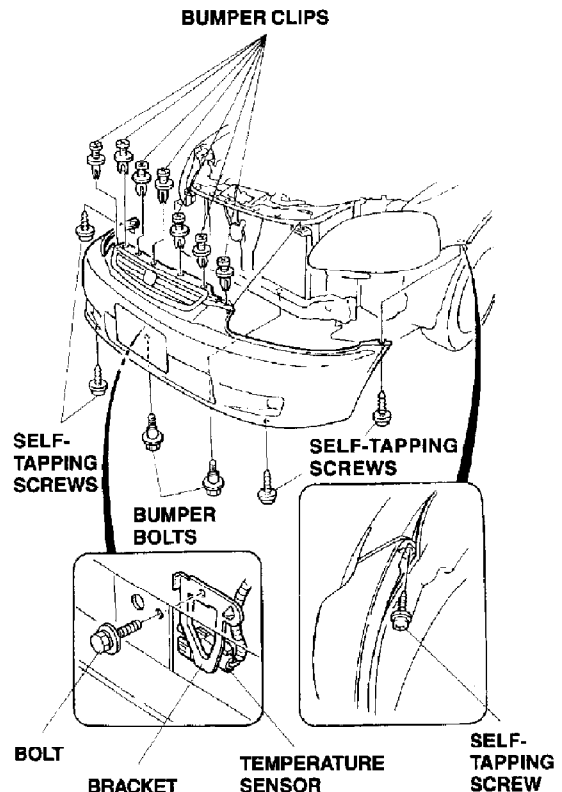
NOTE:

- Be especially careful not to damage the body finish when you remove and install the emblems.
- This emblem kit should be installed only when the ambient air temperature is 60°F (15°C) or above.
- To allow the adhesive to cure, do not wash the vehicle for 24 hours.

Installing the Front Emblem

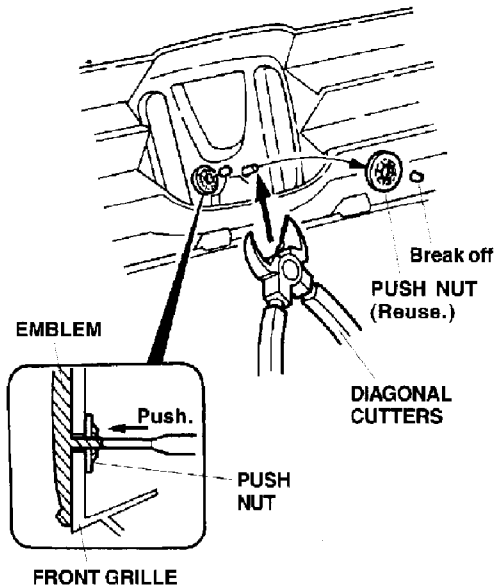
1. Open the hood. Remove the seven bumper clips, the four self-tapping screws and the two bumper bolts, then remove the front bumper. If the car you are working on is equipped with air conditioning, remove the bolt that fastens the temperature sensor to the back of the bumper.

To prevent damage to the front bumper, set it on a piece of cardboard while installing the front gold emblem.

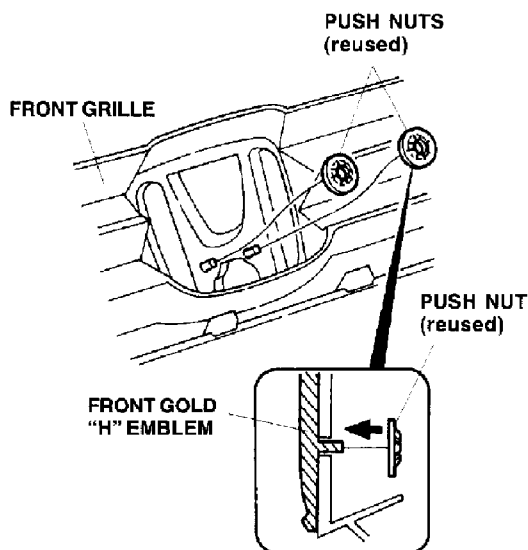


2/3/4-Door (Except 2-Door Si)

- Using diagonal cutters, break the two pins off the old "H" emblem, and carefully remove the two push nuts. They will be used later.

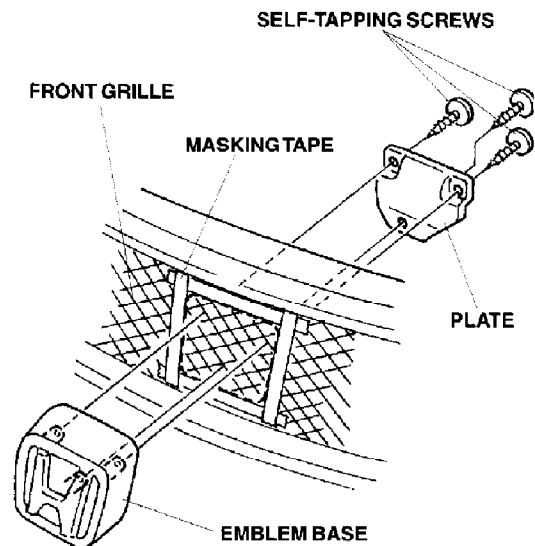


- Remove the old emblem from the front grille by pushing the ends of the two pins.
- Attach the front gold "H" emblem to the front grille with the push nuts you removed.

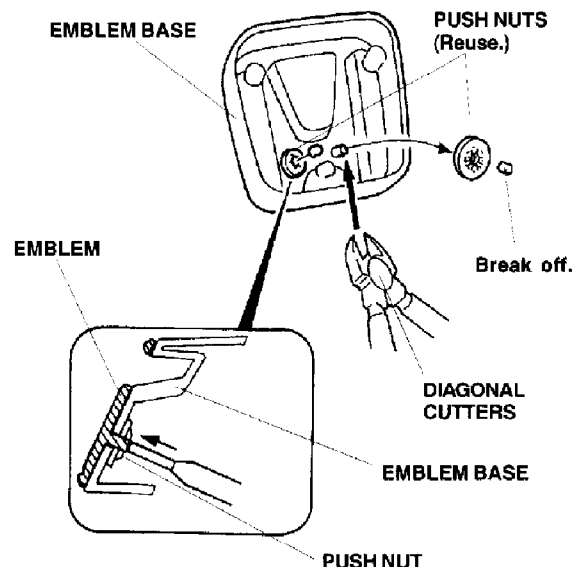


2-Door Si

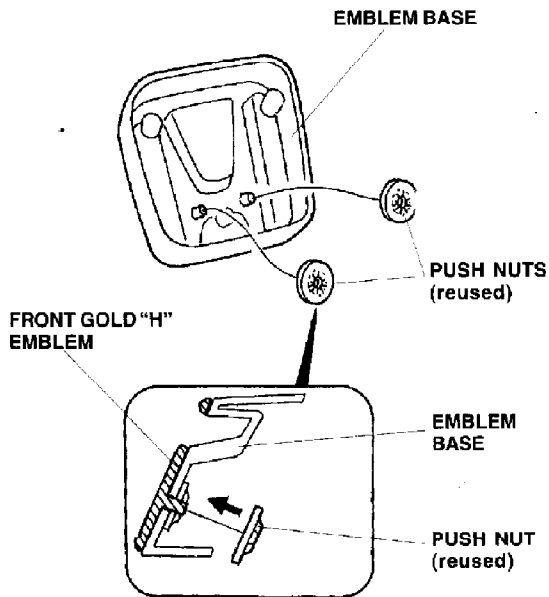
- Mark the location of the emblem base by applying masking tape on the body of the vehicle.
- Remove the emblem base from the front grille by removing three self-tapping screws and the plate.



- Using diagonal cutters, break the two pins off the old "H" emblem, and carefully remove the two push nuts. They will be used later.
- Remove the old emblem from the front grille by pushing the ends of the two pins.



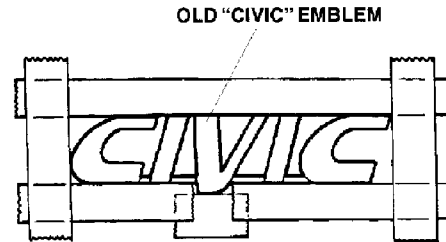
9. Attach the front gold "H" emblem to the emblem base with the push nuts you removed.



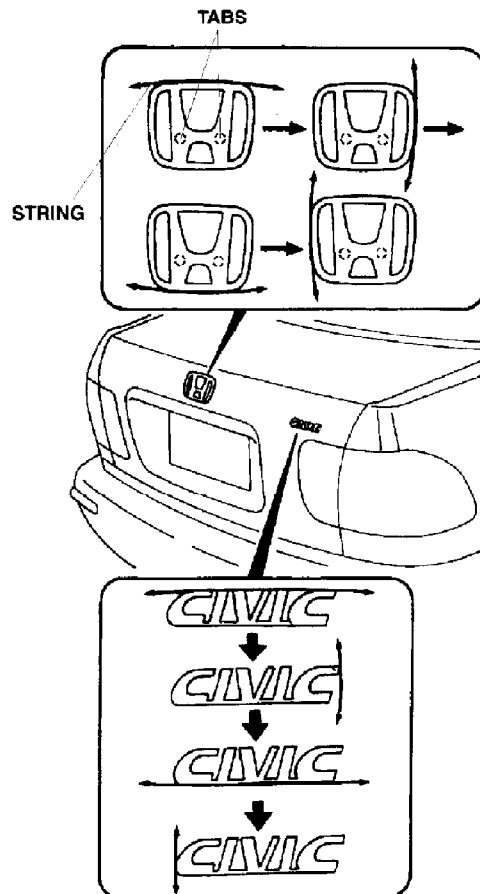
10. Attach the emblem base to the front grille in the reverse order of step 6. Remove the masking tape.

Installing the Rear Emblems

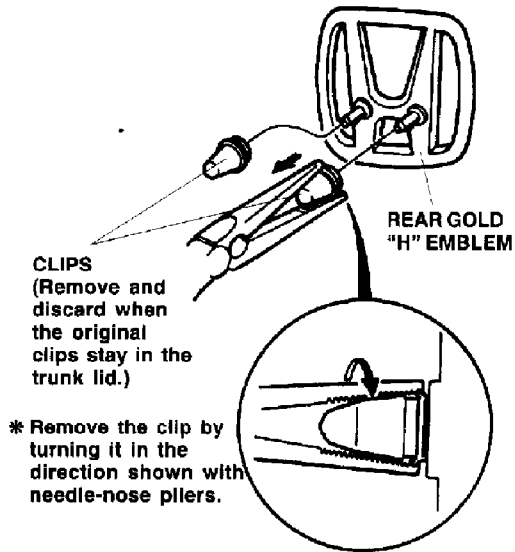
11. Mark the location of the existing "CIVIC" emblem by applying masking tape on the body of the vehicle.



12. Remove the original rear emblems by cutting the outer edges with a piece of string.

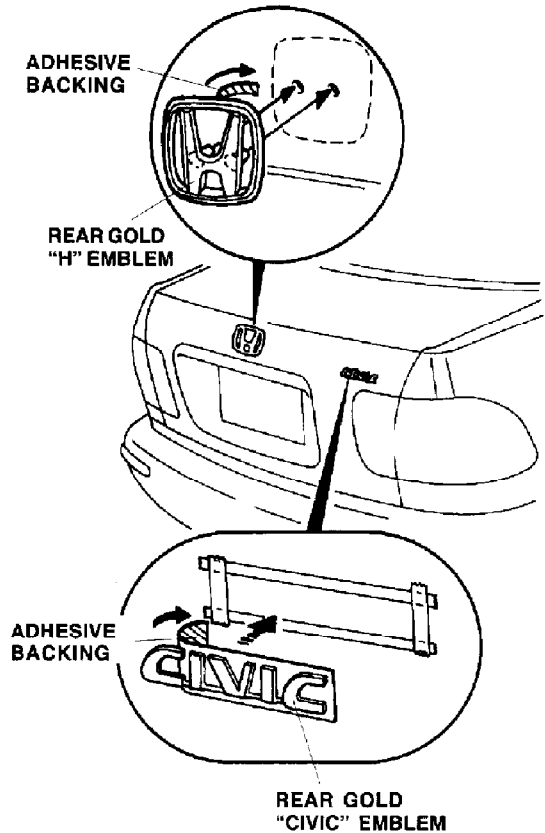


13. If any original clip(s) stay in the trunk lid when you remove the emblem, be sure to remove the same clip(s) on the new emblem.



14. Using isopropyl alcohol on a shop towel, clean the areas where the emblems were removed.

15. Remove the adhesive backing from the gold "H" emblem, align the tabs on the emblem with the holes in the trunk lid, and attach the emblem to the trunk lid. Press the emblem firmly against the trunk lid with the palm of your hand.



16. Remove the masking tape.

NOTE: After the emblem kit is installed, tell your customer not to wash the vehicle for 24 hours to give the adhesive time to cure.