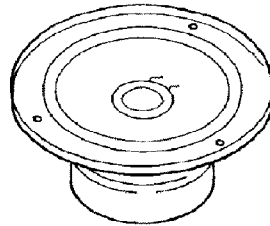
 INSTALLATION INSTRUCTIONS	Accessory FRONT WOOFERS P/N 08A55-371-210	Application 2000 CIVIC 2/3/4-DOOR	Publications No. All 20442
			Issue Date NOV 1999

PARTS LIST

2 Woofers



6 Washer-screws, 4 x 16 mm
(not used)



6 Self-tapping screws,
4 x 16 mm

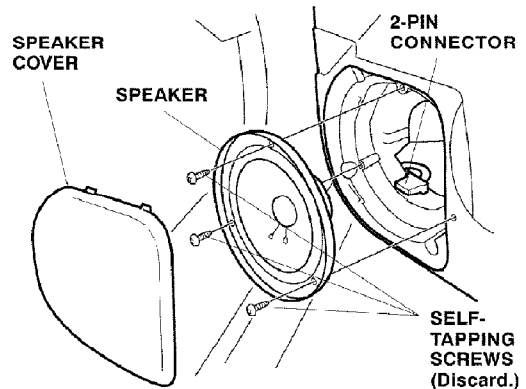


TOOLS AND SUPPLIES REQUIRED

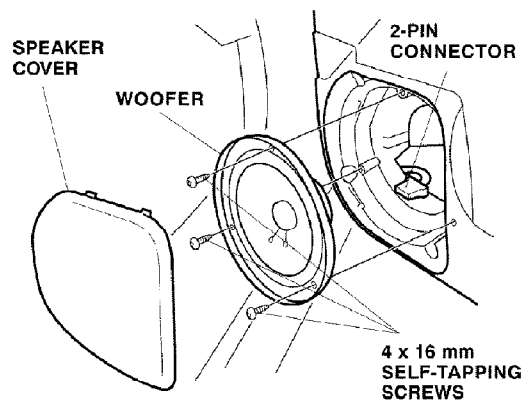
#2 Phillips screwdriver

INSTALLATION

- Using a shop towel around a flat-tip screwdriver, gently pry off the speaker cover from the driver's door.



- Remove the three self-tapping screws from the speaker.
- Disconnect the 2-pin connector, and remove the speaker. Set the speaker and the self-tapping screws aside; they will not be reused.
- Plug the 2-pin connector into the front woofer, set the woofer into the door opening, and install three 4 x 16 mm self-tapping screws provided.



- Reinstall the speaker cover.
- Repeat steps 1 through 5 to install the other woofer in the passenger's door.