

PARTS LIST

Left front body side molding
(Identification mark: FR-L)



Right front body side molding
(Identification mark: FR-R)



Left rear body side molding
(Identification mark: RR-L)



Right rear body side molding
(Identification mark: RR-R)



Front template



Rear template



4 Alcohol swabs


TOOLS AND SUPPLIES REQUIRED

Masking tape

Ruler

The following tool is available through the Honda Tool and Equipment Program. On the iN, click on Service > Service Bay > Tool and Equipment Program, then enter the number under "Search." Or, call 888-424-6857.

Rubber Roller (T/N MHLE54D)

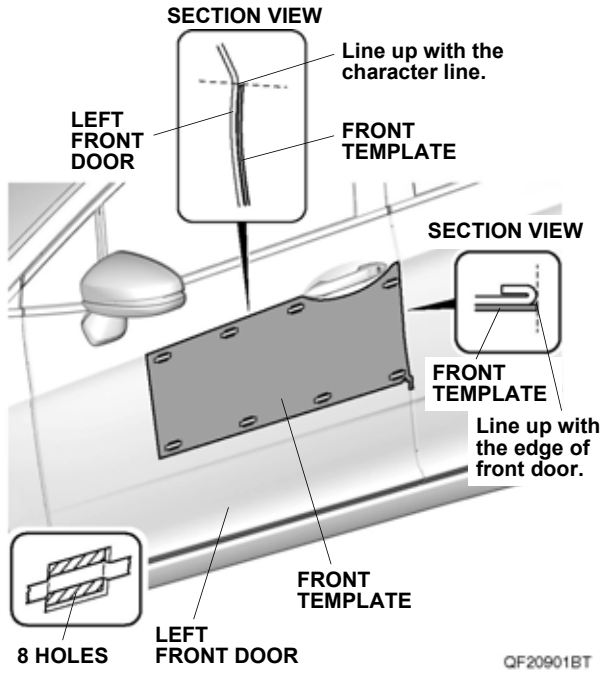
INSTALLATION

Customer Information: The information in this installation instruction is intended for use only by skilled technicians who have the proper tools, equipment, and training to correctly and safely add equipment to your vehicle. These procedures should not be attempted by "do-it-yourselfers."

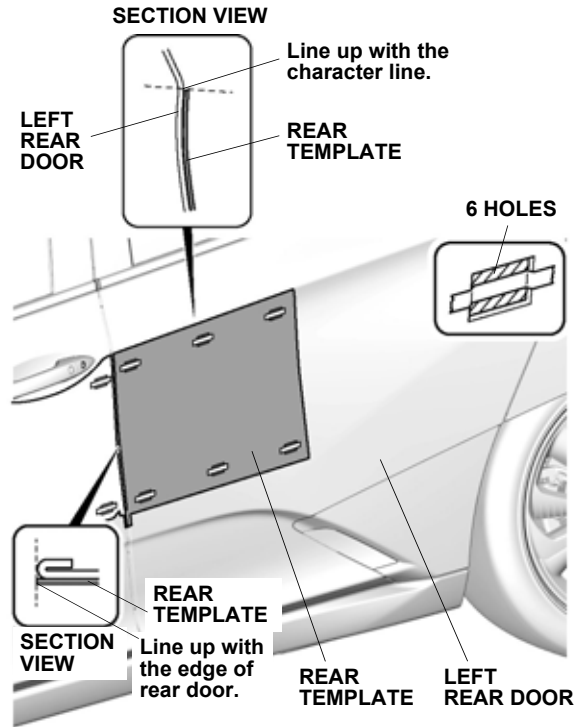
NOTE:

- If you are also installing door edge films (sold separately), install them before you install the body side moldings.
- Be careful not to damage the body paint finish.
- This body side molding kit should be installed only if the ambient air temperature is 15°C (60°F) or above.
- To allow the adhesive to cure, do not wash the vehicle for 24 hours. Make sure your customer is aware of this.

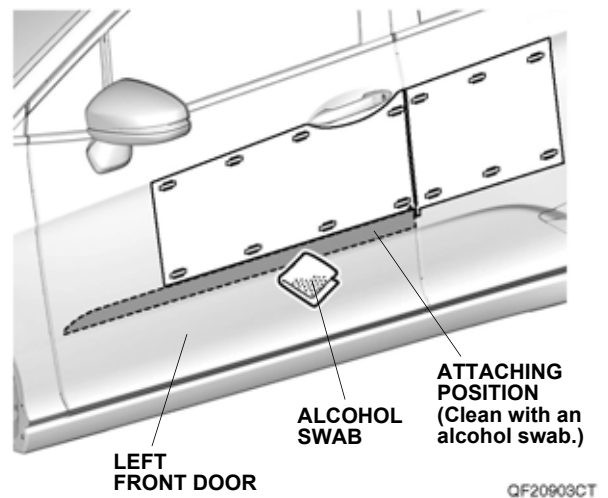
1. Line up the top of the front template with the character line, then line up the rear of the front template with the edge of the left front door and attach it to the left front door with masking tape.



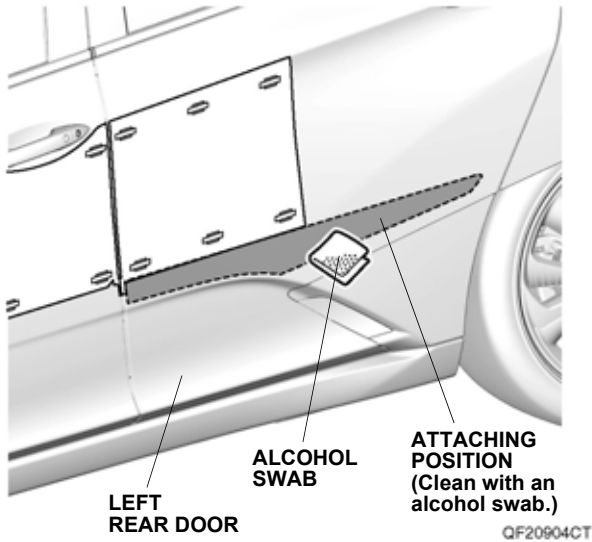
2. Line up the top of the rear template with the character line, then line up the front of the rear template with the edge of the left rear door and attach it to the left rear door with masking tape. Check to see that the front and rear templates are aligned where the body side molding will install.



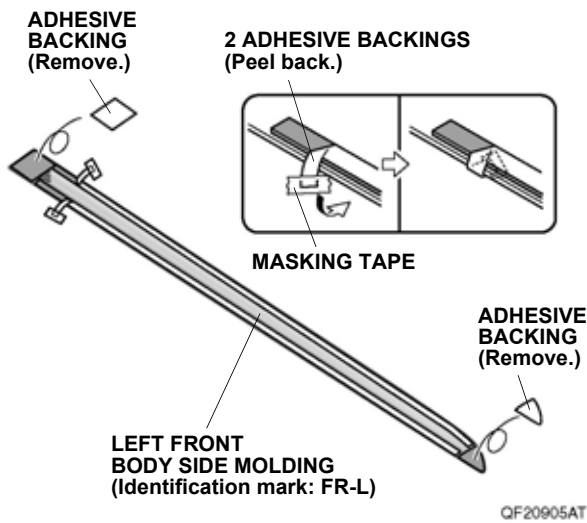
3. Using an alcohol swab, thoroughly clean the left front door where the left front body side molding will attach.



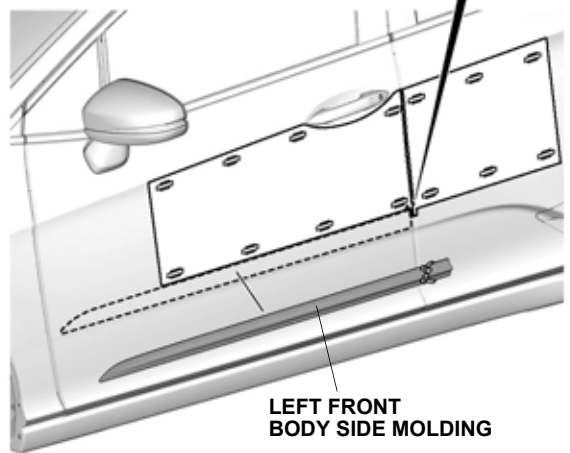
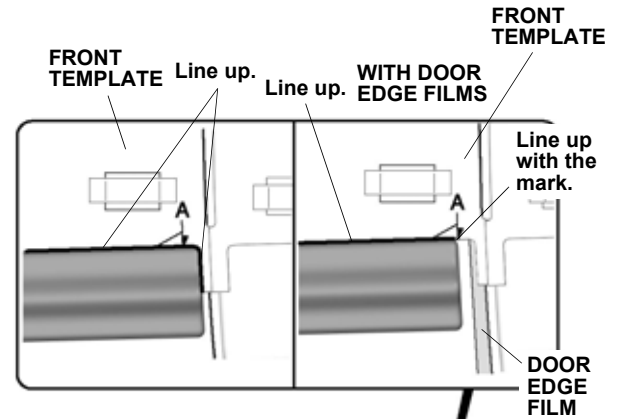
- Using an alcohol swab, thoroughly clean the left rear door where the left rear body side molding will attach.



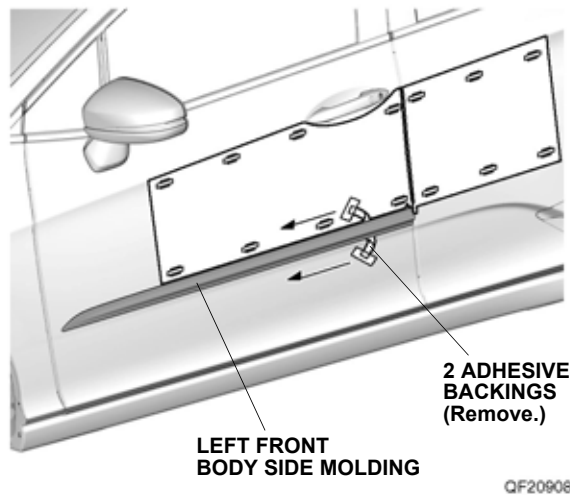
- Peel back the adhesive backings, and tape them to the front surface of the left front body side molding with masking tape. Remove the other adhesive backings.



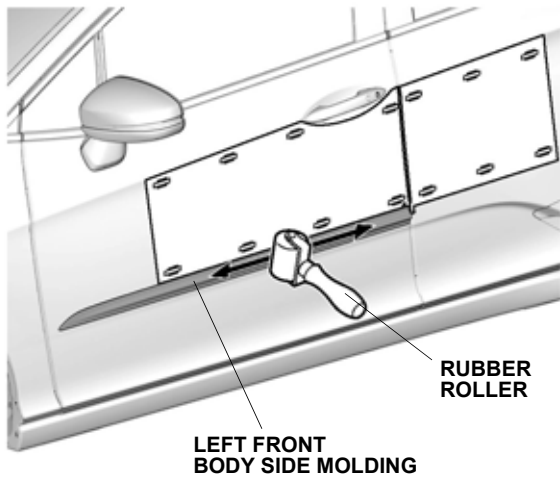
- Line up the left front body side molding with the front template, and install the left front body side molding on the left front door.



- While applying light pressure against the left front body side molding, carefully remove the taped adhesive backings.

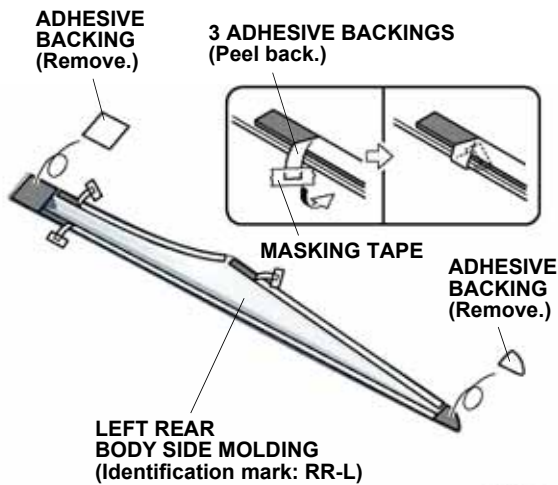


8. Using the rubber roller, apply firm pressure while rolling, especially at the ends, to set the adhesive.



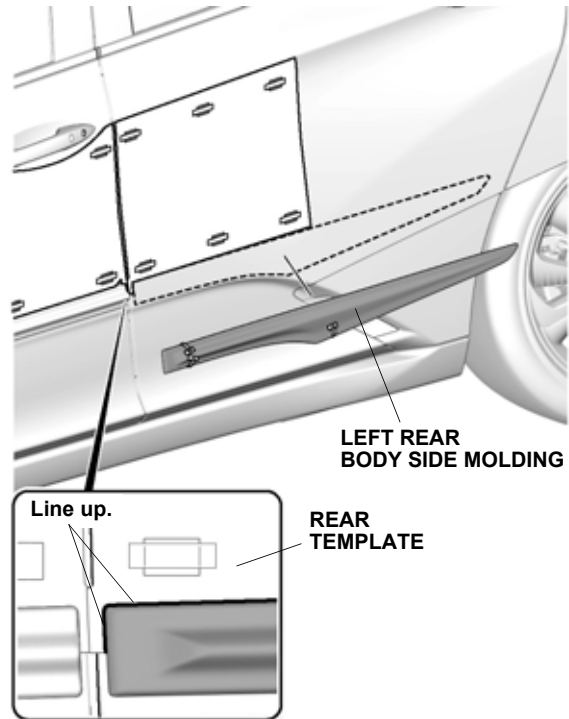
QF20909CT

9. Peel back the adhesive backings, and tape them to the front surface of the left rear body side molding with masking tape. Remove the other adhesive backings.



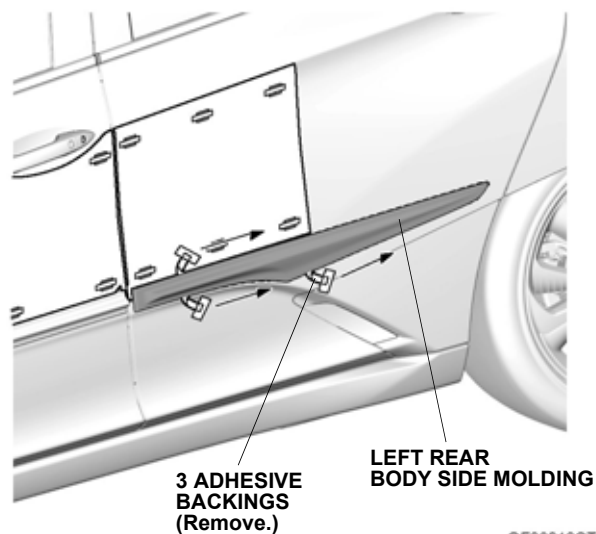
QF20910AT

10. Line up the left rear body side molding with the rear template, and install the left rear body side molding on the left rear door.



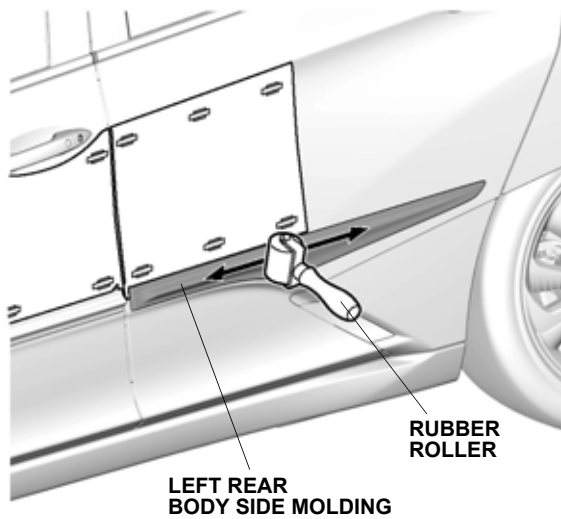
QF20911ET

11. While applying light pressure against the left rear body side molding, carefully remove the taped adhesive backings.



QF20912CT

- Using the rubber roller, apply firm pressure while rolling, especially at the ends, to set the adhesive.



QF20913CT

- Remove the front and rear templates.
- Turn the front and rear templates over and repeat steps 1 through 13 to install the right body side moldings.