

**HONDA**  
**INSTALLATION**  
**INSTRUCTIONS**

<p>Accessory</p> <p><b>REAR SEAT COVERS</b></p> <p>0</p>	<p>Application</p> <p><b>2018 CLARITY</b></p> <p>(All Clarity Vehicles)</p>	<p>Publications No.</p> <p><b>VERSION 1</b></p>
		<p>Issue Date</p> <p><b>NOV 2017</b></p>

**PARTS LIST**

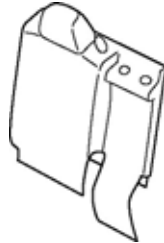
Head restraint cover



Left seat-back cover



Right seat-back cover



Left side seat-back cover



Right side seat-back cover



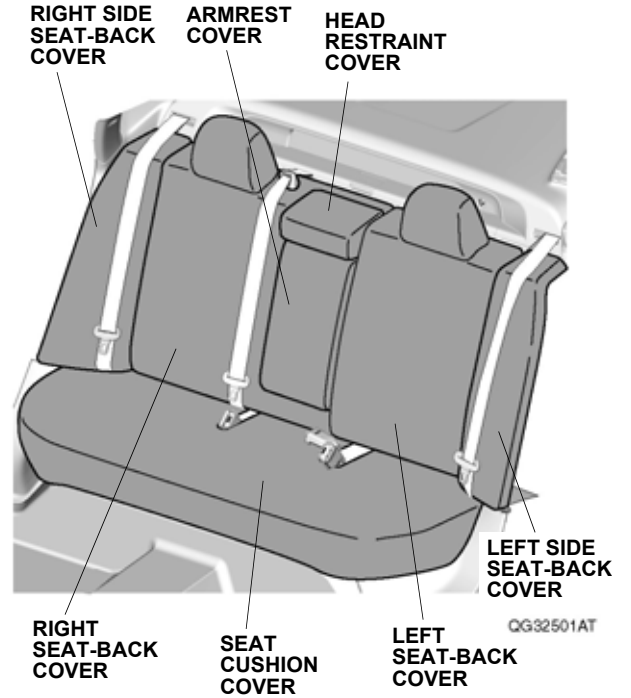
Armrest cover



Seat cushion cover



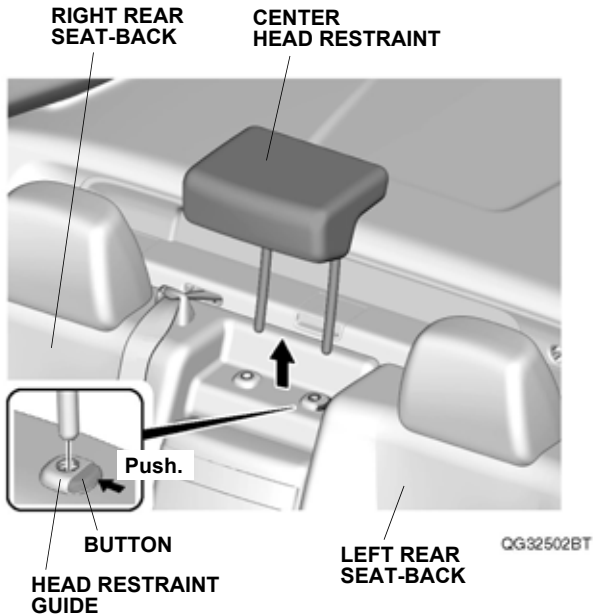
*Illustration of the Rear Seat Covers Installed in the Vehicle*



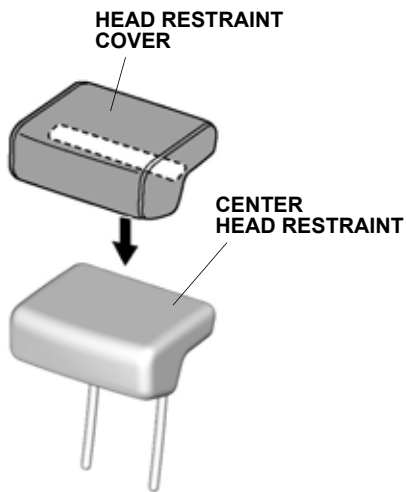
## INSTALLATION

### Installing the Rear Seat Covers

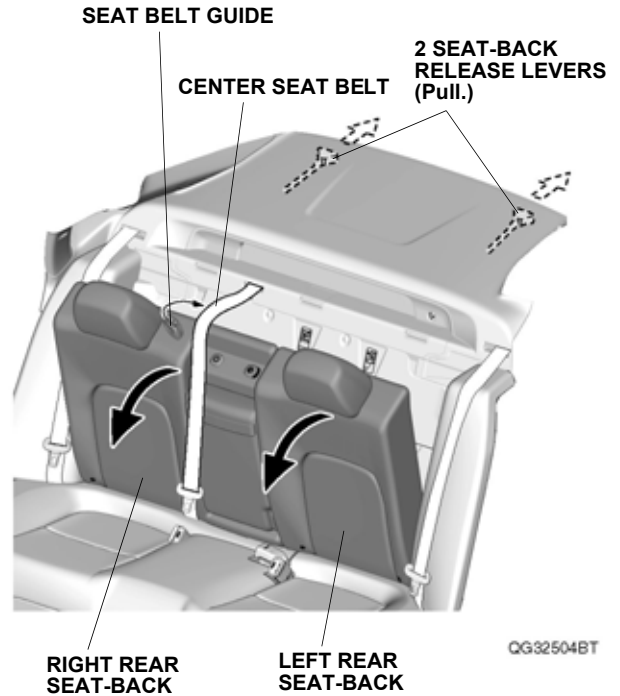
1. While pressing on the head restraint guide button, remove the center head restraint by pulling it upward.



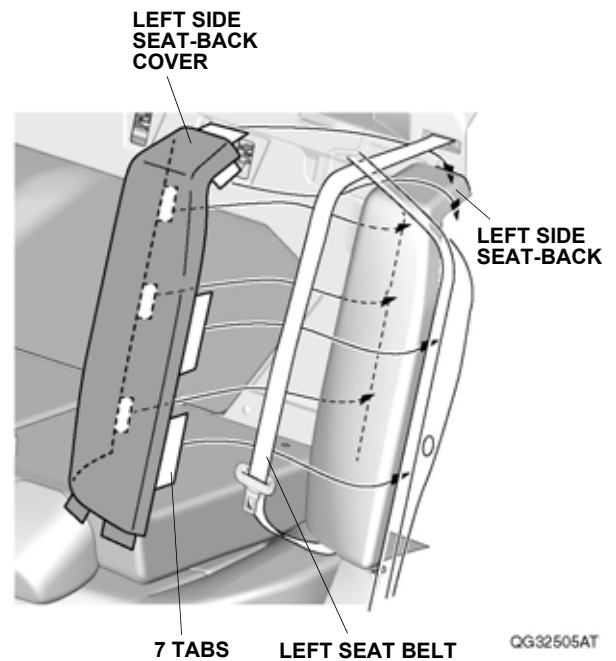
2. Install the head restraint cover on the center head restraint.



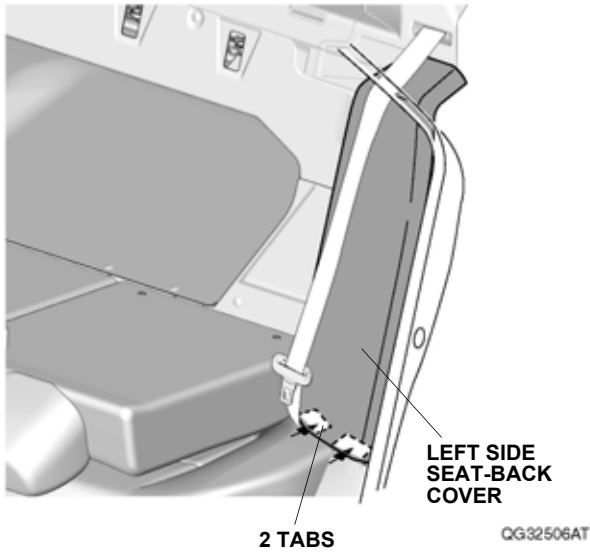
3. Pull out the center seat belt from the seat belt guide.



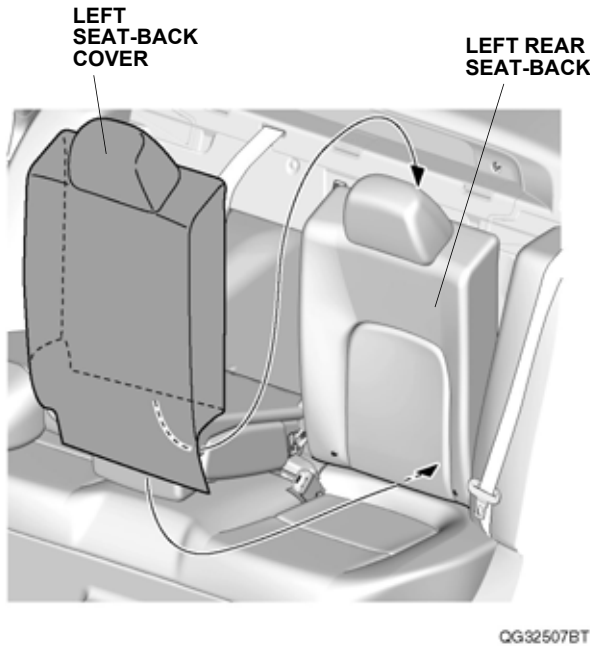
4. Open the trunk. Pull the seat-back release levers, and fold the rear seat-back forward.
5. Fit the left side seat-back cover onto the left side seat-back through the left seat belt. Insert the tabs around the left side seat-back.



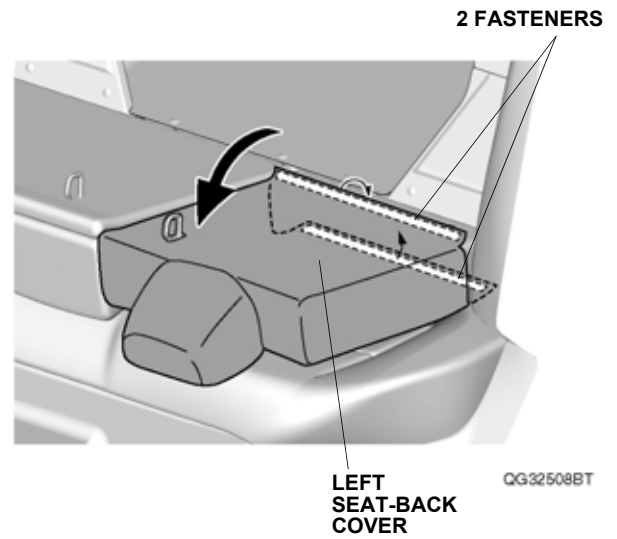
6. Insert the bottom tabs under the left side seat-back.



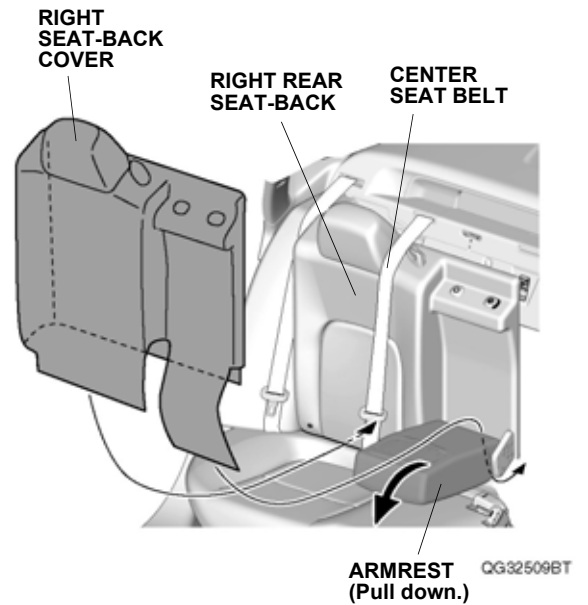
7. Repeat steps 5 and 6 to install the right side seat-back cover on the right side seat-back.
8. Fit the left seat-back cover onto the left rear seat-back.



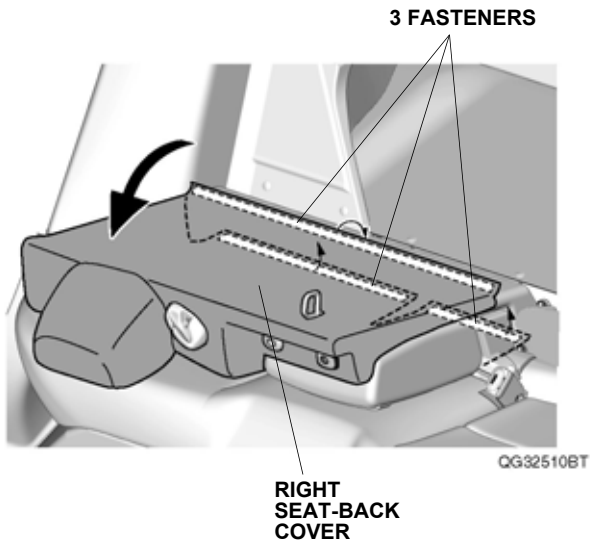
9. Fold the left rear seat-back forward, and secure the fasteners to the left rear seat-back.



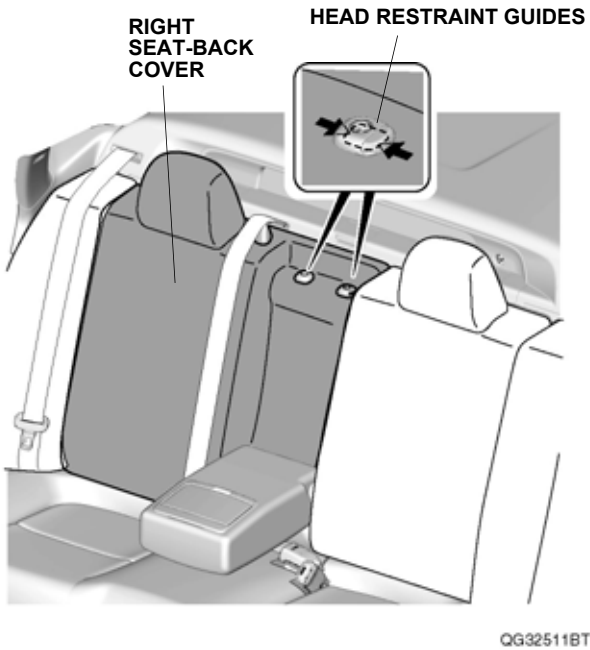
10. Pull down the armrest. Fit the right seat-back cover onto the right rear seat-back, under the center seat belt.



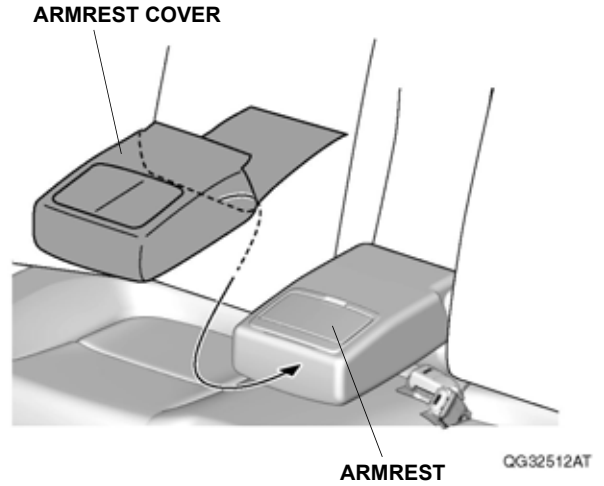
11. Fold the right rear seat-back forward, and secure the fasteners to the right rear seat-back.



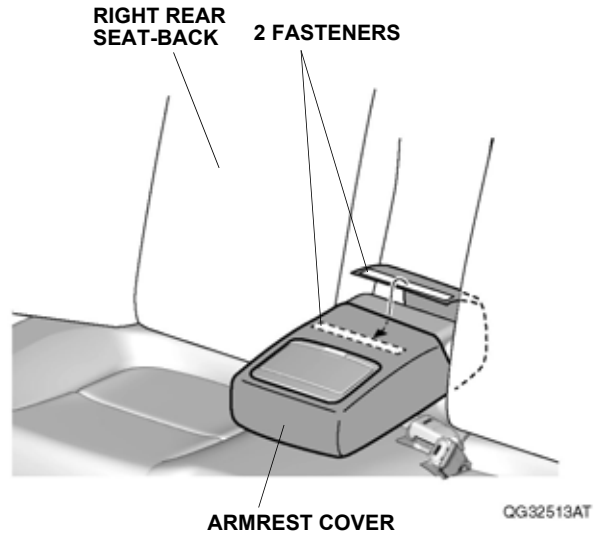
12. Tuck the right seat-back cover under each head restraint guide as shown.



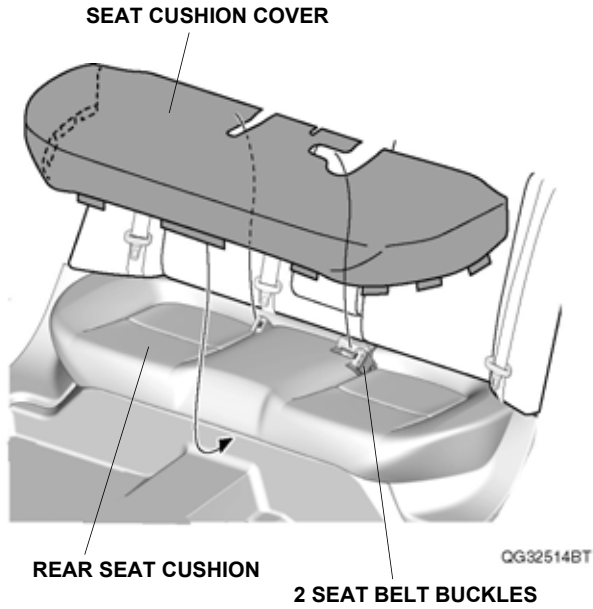
13. Fit the armrest cover onto the armrest.



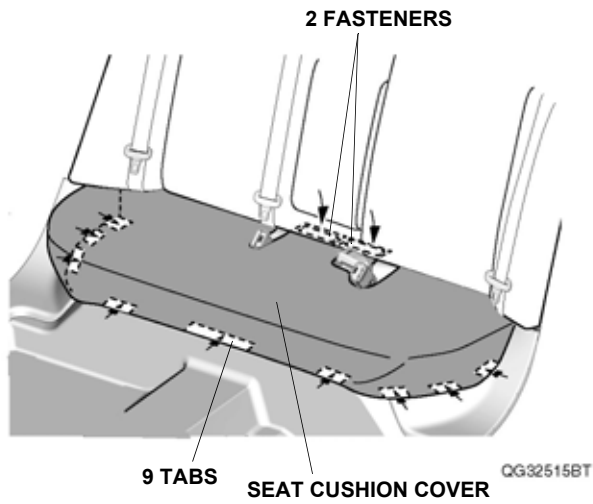
14. Pull out the armrest cover between the armrest and right rear seat-back, and secure the fasteners to each other as shown.



15. Fit the seat cushion cover onto the rear seat cushion.



16. Secure the fasteners to the rear seat cushion, and insert the tabs under the rear seat cushion.



17. Secure the center seat belt to the seat belt guide, and install the center head restraint.