

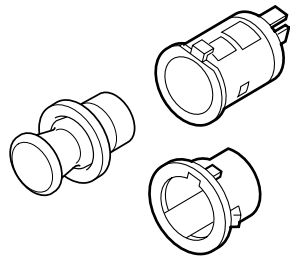


INSTALLATION INSTRUCTIONS

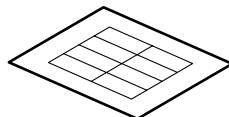
Accessory	Application	Publications No.
CIGARETTE LIGHTER P/N 08U96-S9A-100	CR-V	All 23068
		Issue Date
		NOV 2001

PARTS LIST

Cigarette lighter



Fuse label



TOOLS AND SUPPLIES REQUIRED

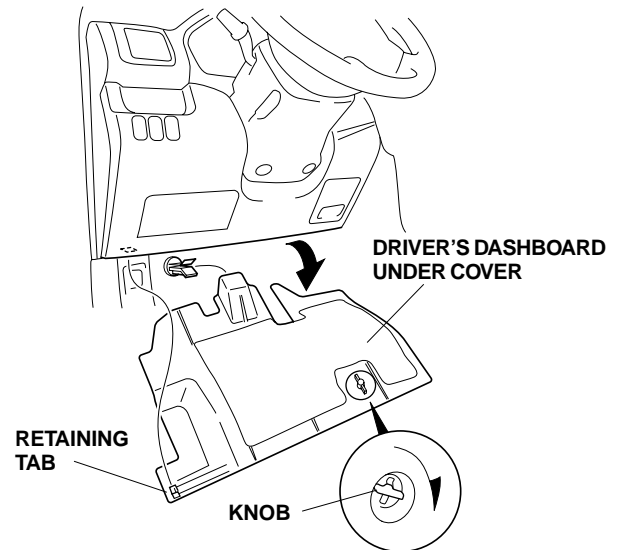
- #2 Phillips screwdriver
- Shop towel
- Small flat-tip screwdriver

INSTALLATION

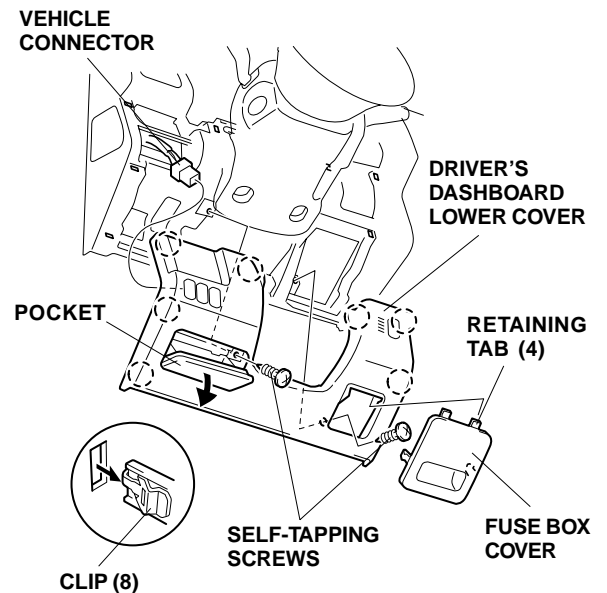
Customer Information: The information in this installation instruction is intended for use only by skilled technicians who have the proper tools, equipment, and training to correctly and safely add equipment to your vehicle. These procedures should not be attempted by "do-it-yourselfers."

1. Make sure you have the anti-theft code for the radio, then write down the frequencies for the preset buttons.
2. Disconnect the negative cable from the battery.

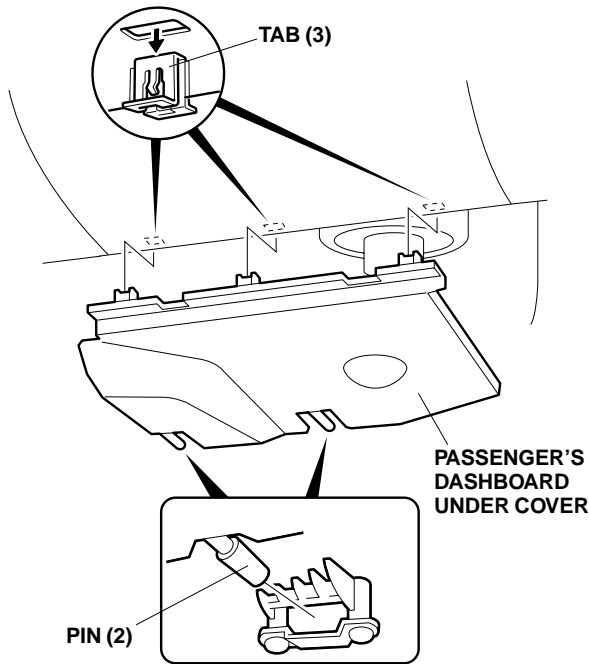
3. Turn the knob clockwise, release the one retaining tab, and remove the driver's dashboard under cover.



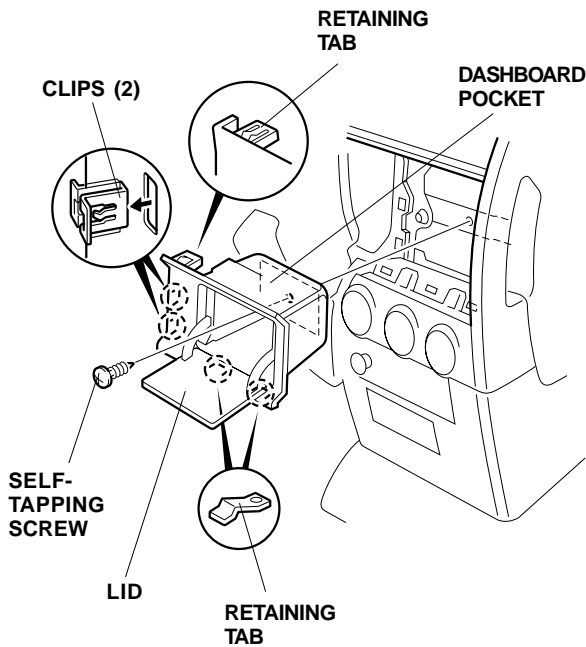
4. Remove the driver's dashboard lower cover:
 - Remove the fuse box cover, and open the pocket.
 - Remove the two self-tapping screws.
 - Gently pull out on the driver's dashboard lower cover to release the eight clips, unplug the vehicle connector, and remove the lower cover.



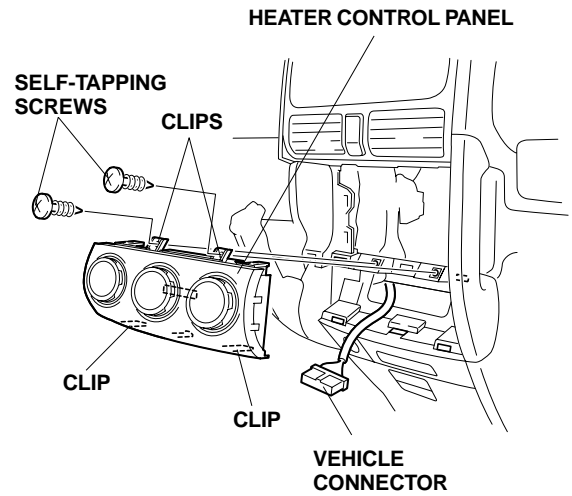
- Remove the passenger's dashboard under cover (release the three retaining tabs and two pins).



- Open the lid. Remove the dashboard pocket (one self-tapping screw, and pull out to release the two clips and three retaining tabs).



- Remove the two self-tapping screws that fasten the heater control panel to the instrument panel.

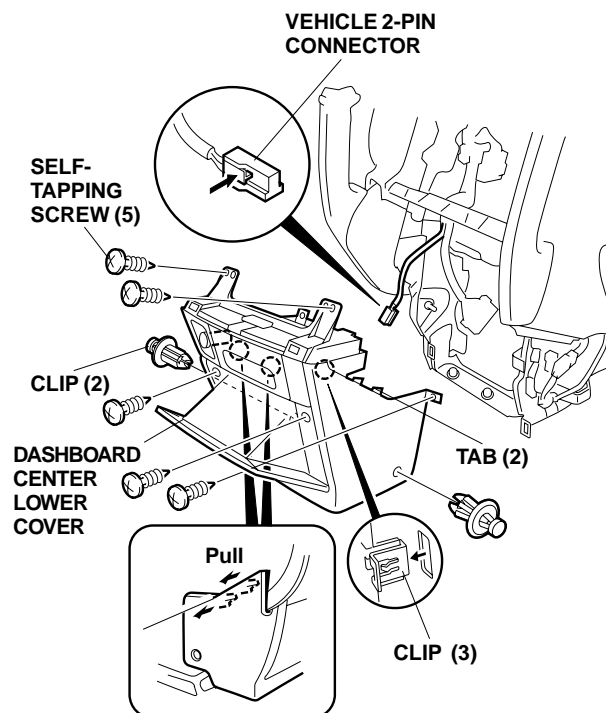


- Pull the heater control panel out toward you to release the four clips. Unplug the vehicle connector, and remove the heater control panel.

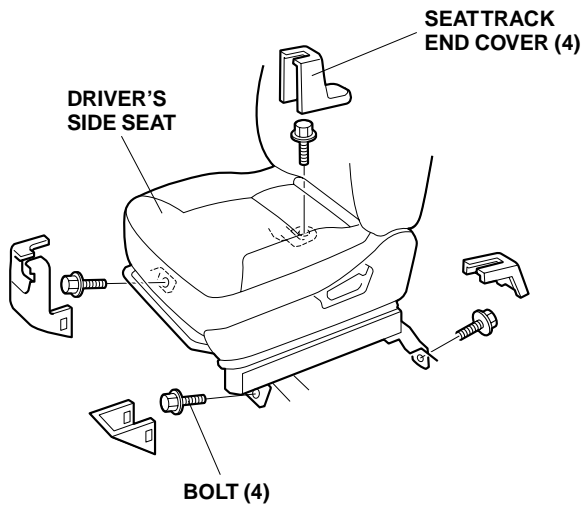
- Remove the dashboard center lower cover.

- Remove the two clips and five self-tapping screws, and pull the cover out toward you to release the three clips and two tabs.
- Unplug the vehicle 2-pin connector from the accessory socket and remove the cover.

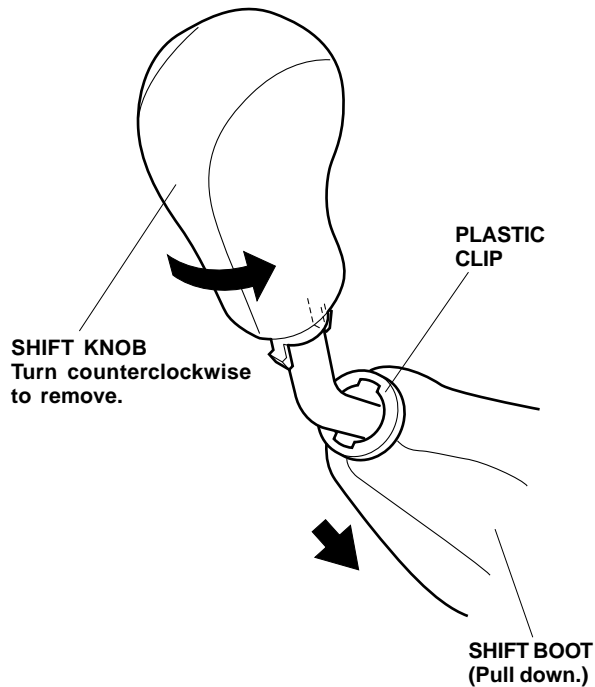
A/T Model:



M/T Model: Remove the four seat track end covers from the driver's seat, then remove the four bolts that secure the seat.

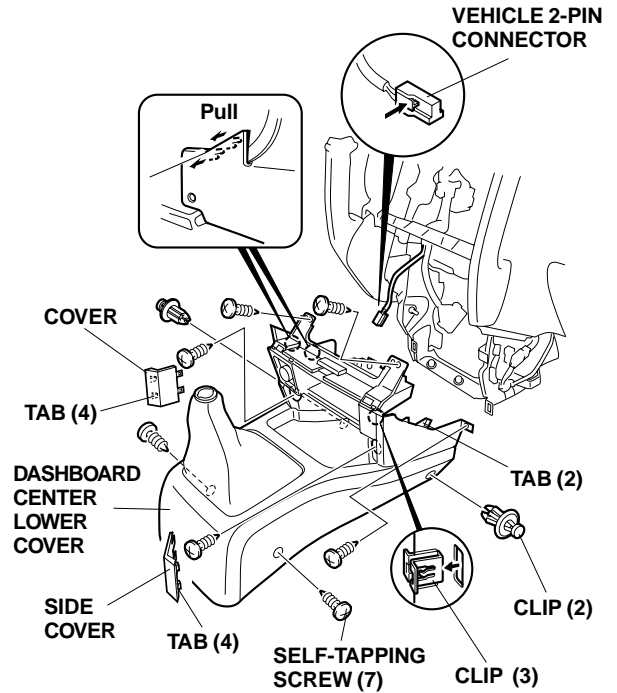


- Pull the shift boot, down while holding the plastic clip.



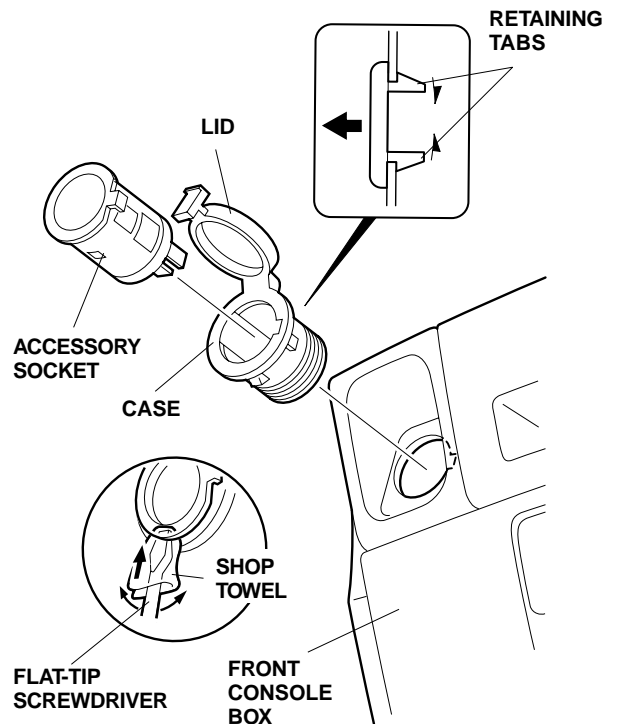
- Remove the shift knob from the shift lever by turning it counterclockwise.

- Remove both side covers (four tabs).

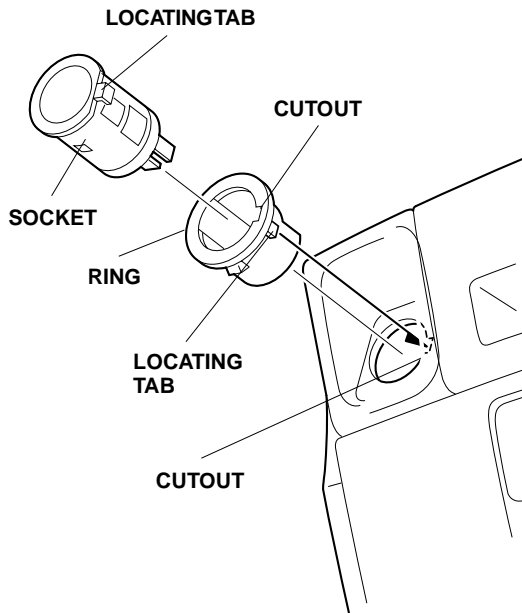


- Remove the two clips and seven self-tapping screws and pull the cover out toward you to release three clips and two tabs. Unplug the 2-pin connector from the accessory socket, and remove the front console.

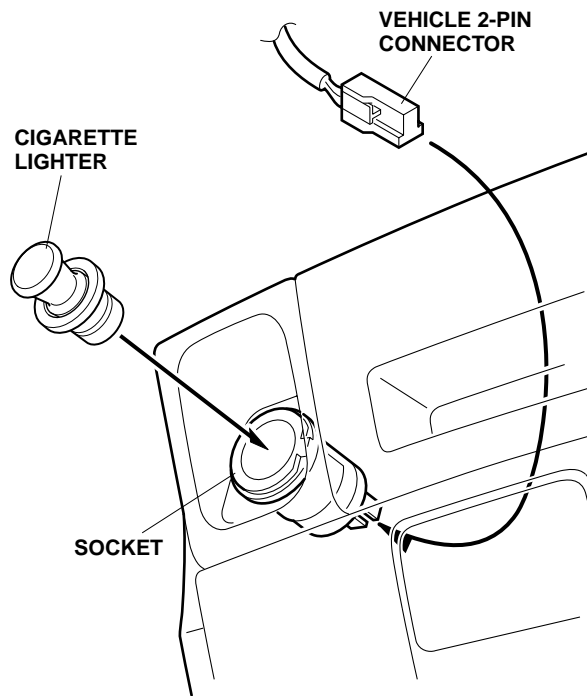
10. Open the lid on the accessory socket. Using a shop towel around a flat-tip screwdriver, gently pry on the socket, and remove the case.



- Slide the ring into the hole in the cover box in the direction shown.

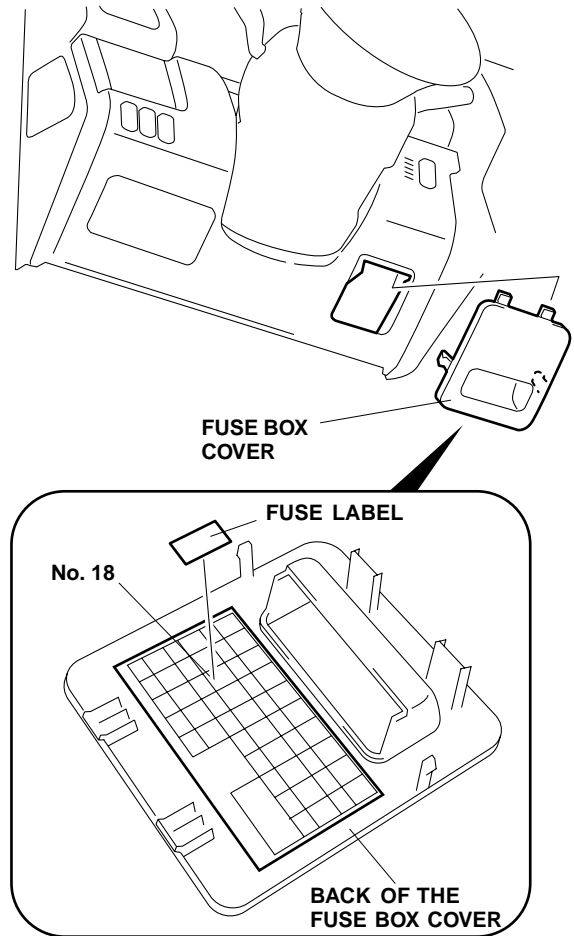


- Align the locating tab of the socket with the cutout in the ring, and slide the socket of the cigarette lighter into the ring.
- Connect the vehicle 2-pin connector to the socket of the cigarette lighter assembly.



- Reinstall the cigarette lighter into the socket.

- Attach the cigarette lighter fuse label (15A) over the No. 18 spot on the back of the fuse box cover.



- Reinstall the dashboard center lower cover, and push the cigarette lighter into the socket.
- Reinstall all removed parts. Be sure that all retaining clips and tabs are securely fastened.
- Check that all connectors are plugged in.
- Reconnect the negative cable to the battery.
- Reset the clock and the radio station presets.
- Test the cigarette lighter.

NOTE: Whenever the battery is disconnected, the driver's AUTO window function is disabled.

- Start the engine. Push down on the driver's window switch until the window is fully open.
- Pull up on the driver's window switch to close the window completely, then hold the switch for a second or two more.
- Test the AUTO window function.