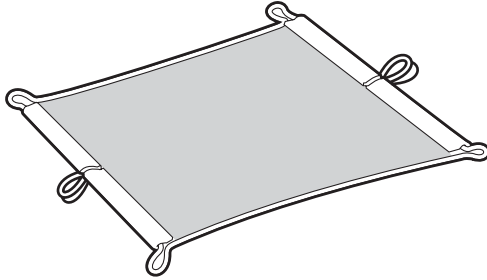
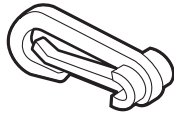


**INSTALLATION
INSTRUCTIONS**Accessory
CARGO NET
P/N 08L96-S9A-100Application
CR-VPublications No.
All 27166
Issue Date
SEP 2004**Put this information in the glove box with the vehicle owner's manual.****PARTS LIST**

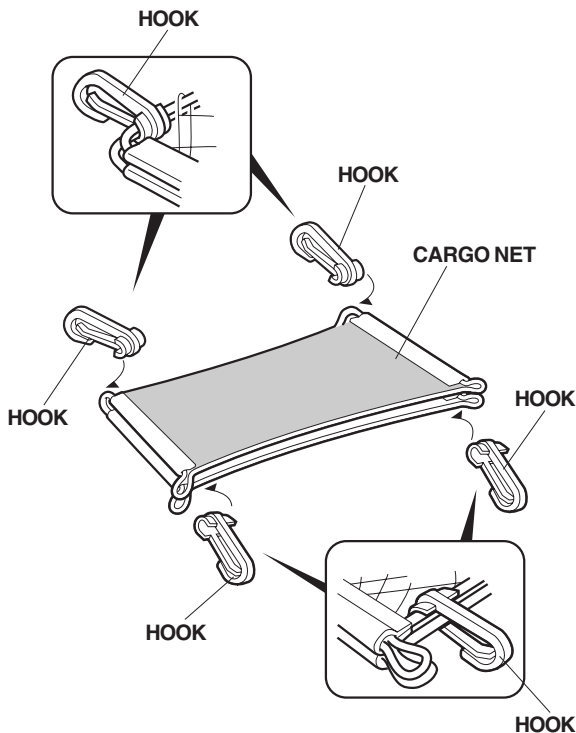
Cargo net



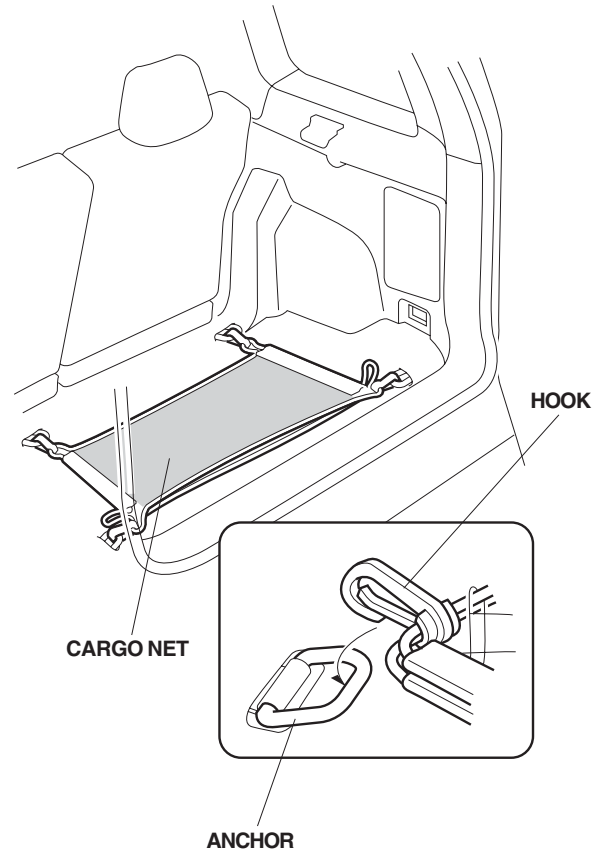
4 Hooks

**INSTALLATION**

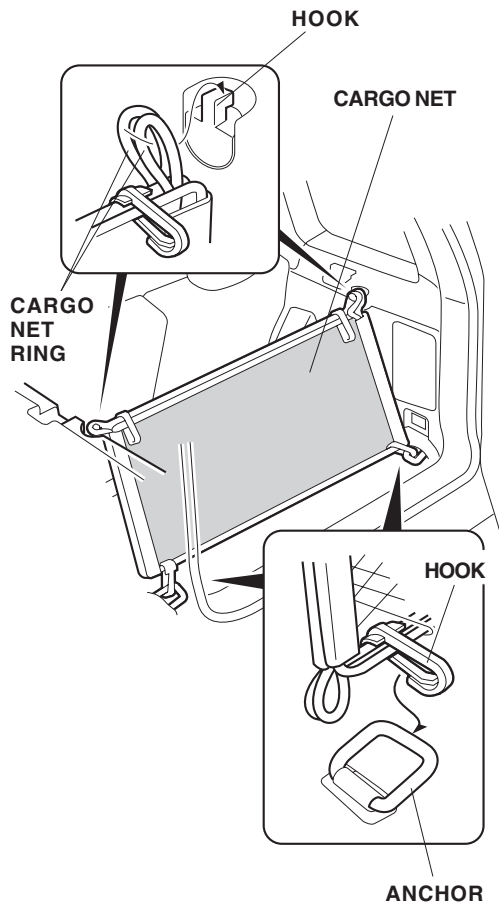
1. Attach the four hooks onto the cargo net as shown.



2. Attach the hooks to the anchors in the trunk. The cargo net can be installed in two different positions.

Horizontal Position:

Vertical Position:



NOTE

- Do not allow the weight of cargo to exceed 22 lb (10 kg).
- Do not store large or fragile objects in the net.
- Do not store objects with sharp edges or corners, as they may damage the cargo net or the vehicle. Wrap such objects in paper or a blanket so they will not contact the net directly.