

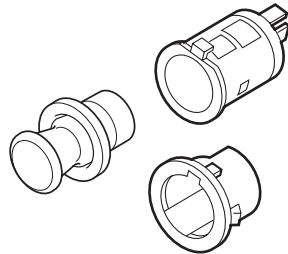


INSTALLATION INSTRUCTIONS

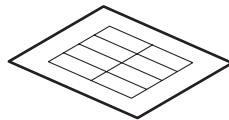
Accessory CIGARETTE LIGHTER P/N 08U96-S9A-100	Application CR-V	Publications No. All 27169
		Issue Date SEP 2004

PARTS LIST

Cigarette lighter



Fuse label



TOOLS AND SUPPLIES REQUIRED

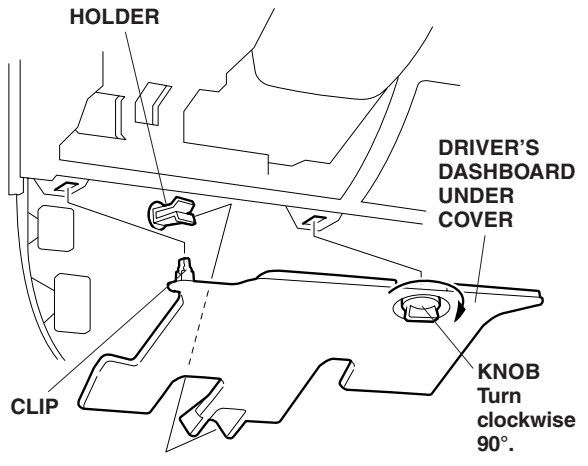
- #2 Phillips screwdriver
- Shop towel
- Small flat-tip screwdriver

INSTALLATION

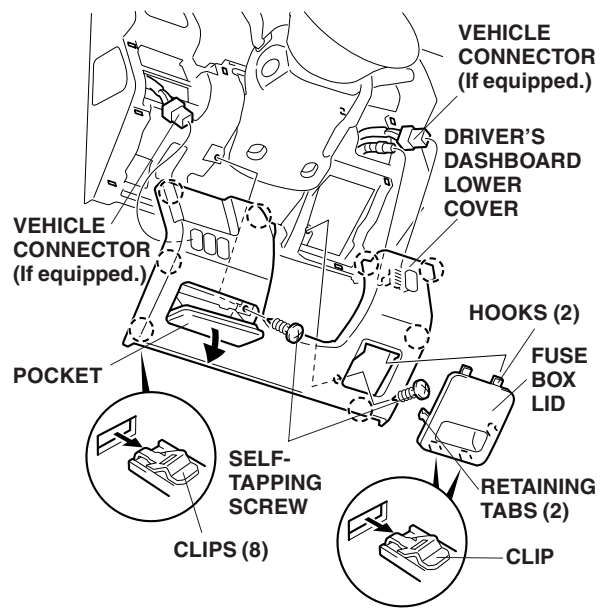
Customer Information: The information in this installation instruction is intended for use only by skilled technicians who have the proper tools, equipment, and training to correctly and safely add equipment to your vehicle. These procedures should not be attempted by “do-it-yourselfers.”

1. Make sure you have the anti-theft code for the radio, then write down the radio station presets.
2. Disconnect the negative cable from the battery.

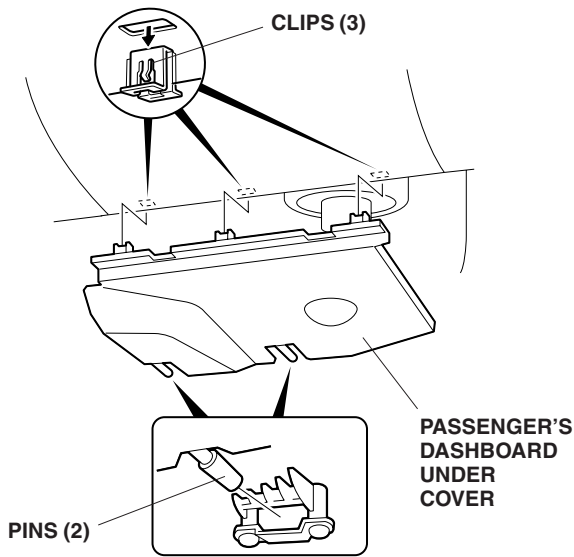
3. Remove the driver’s dashboard under cover by turning the knob clockwise, and releasing one clip.



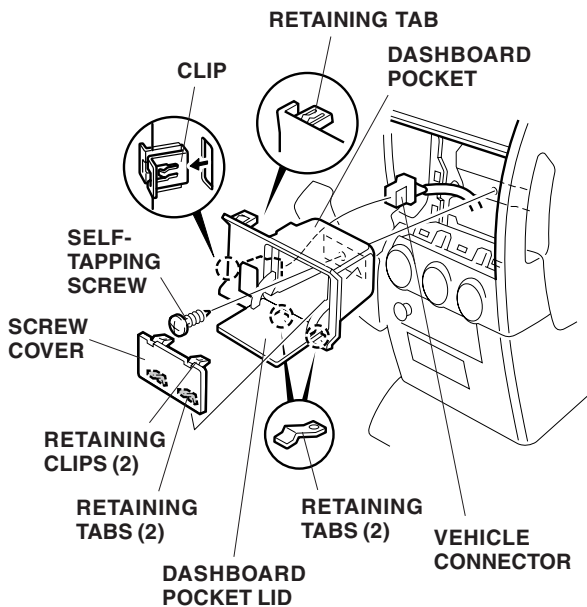
4. Remove the driver’s dashboard lower cover:
 - Remove the fuse box lid, and open the pocket.
 - Remove the two self-tapping screws.
 - Gently pull out on the driver’s dashboard lower cover to release the eight clips. If equipped, unplug the vehicle connector and remove the lower cover.



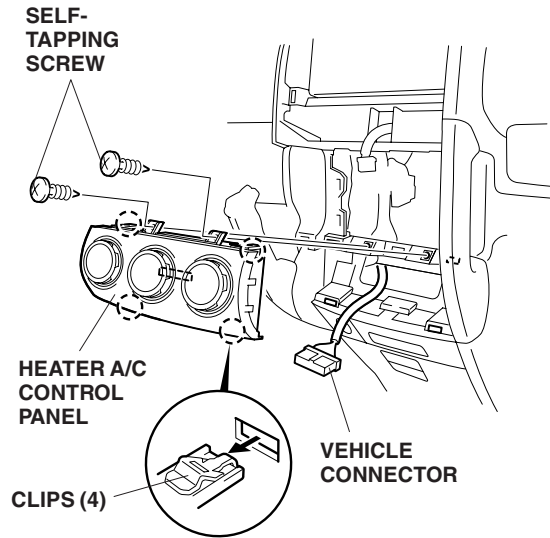
- Remove the passenger's dashboard under cover (release the three clips and two pins).



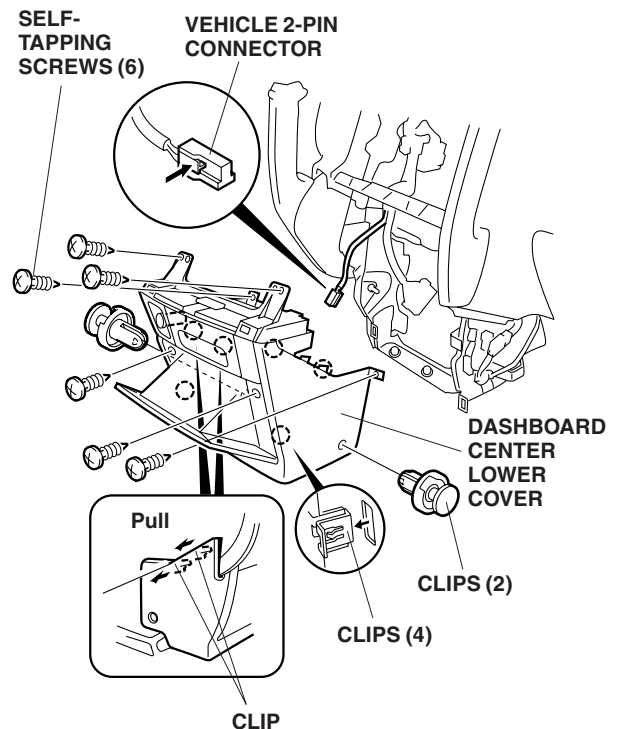
- Open the dashboard pocket lid. Remove the screw cover by releasing the two retaining clips and two retaining tabs, and remove the dashboard pocket (one self-tapping screw, then pull out to release the one clip and three retaining tabs). Unplug the vehicle connector.



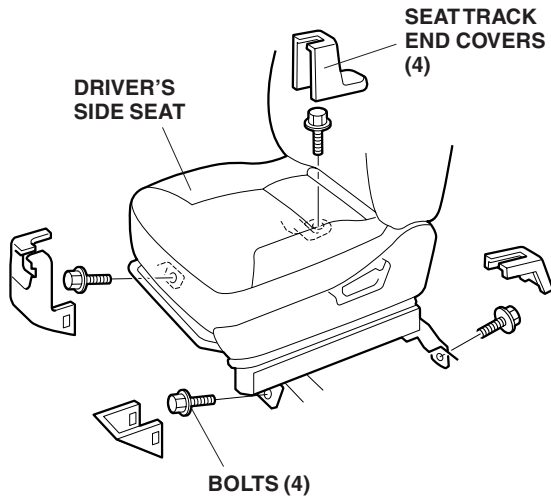
- Remove two self-tapping screws that fasten the heater A/C control panel to the dashboard. Pull the heater A/C control panel out toward you to release the four clips. Unplug the vehicle connector, and remove the heater A/C control panel.



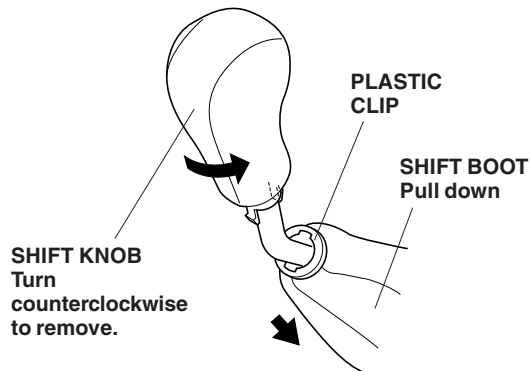
- On A/T vehicles only, remove the two clips and six self-tapping screws, and pull the dashboard center lower cover out toward you to release the six clips. Unplug the vehicle 2-pin connector from the accessory socket, and remove the cover.



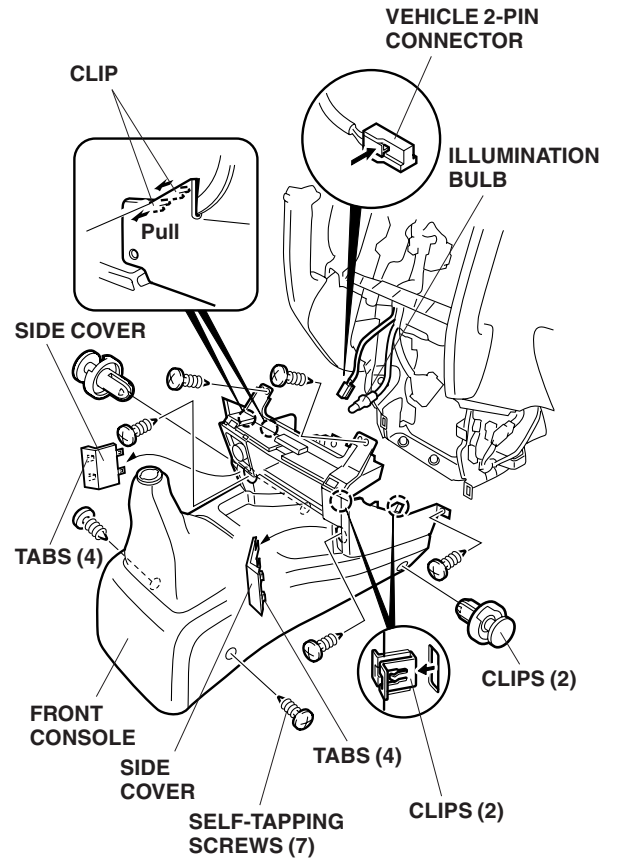
- On M/T vehicles only, remove the four seat track end covers from the driver's seat, then remove the four bolts that secure the seat.



- On M/T vehicle only, pull the shift boot down while holding the plastic clip. Remove the shift knob from the shift lever by turning it counterclockwise.

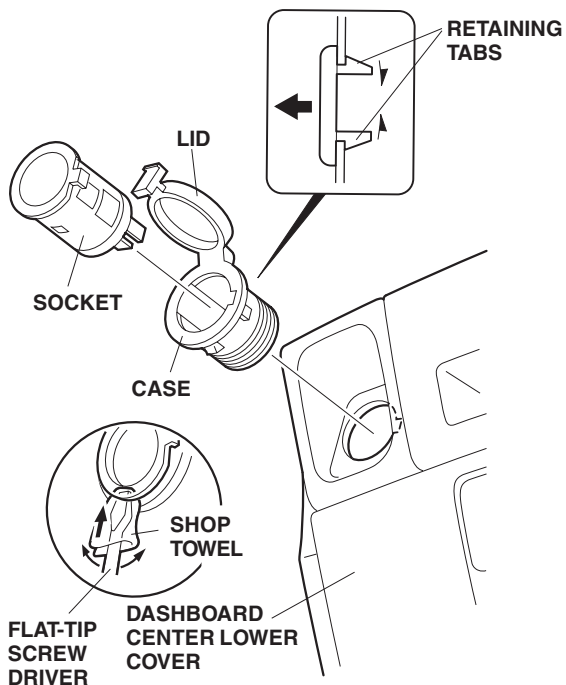


- On M/T vehicle only, remove the two side covers (four tabs) from the center console.

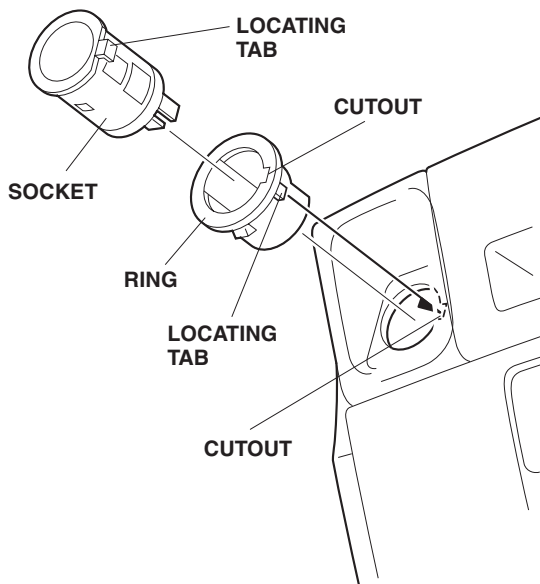


- On M/T vehicle only, remove the two clips and seven self-tapping screws, and pull the front console out toward you to release four clips. Unplug the 2-pin connector from the accessory socket, and remove the front console.

- Open the lid on the cigarette lighter. Using a shop towel around a flat-tip screwdriver, gently pry on the socket, and remove the case.

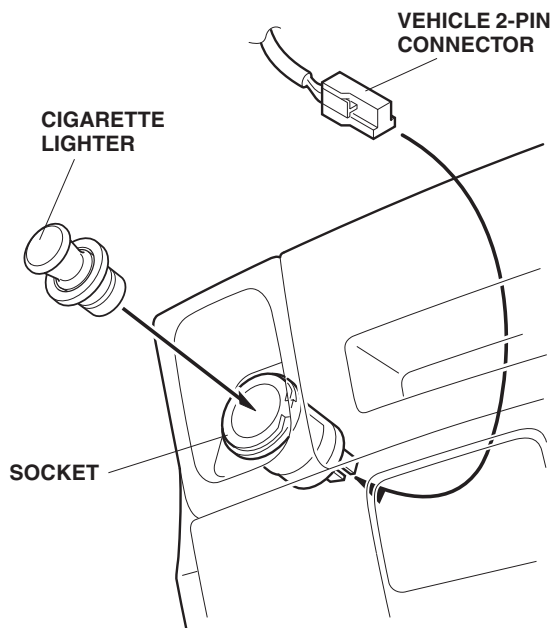


- Slide the ring into the hole in the dashboard center lower cover in the direction shown.

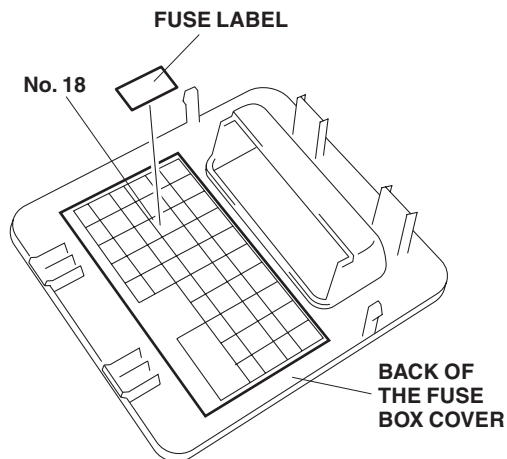


- Align the locating tab of the socket with the cutout in the ring, and slide the socket of the cigarette lighter into the ring.

- Connect the vehicle 2-pin connector to the socket of the cigarette lighter assembly.



- Reinstall the cigarette lighter into the socket.
- Attach the cigarette lighter fuse label (15A) over the No. 18 spot on the back of the fuse box cover.



19. Reinstall the dashboard center lower cover and push the cigarette lighter into the socket.
20. Reinstall all removed parts. Be sure that all retaining clips and tabs are securely fastened.
21. Check that all connectors are plugged in.
22. Reconnect the negative cable to the battery.
23. Reset the clock and the radio station presets.
24. Test the cigarette lighter.

NOTE: Whenever the battery is disconnected, the driver's AUTO function is disabled.

25. Start the engine. Push down on the driver's window switch until the window is fully open.
26. Pull up on the driver's window switch to close the window completely, then hold the switch for a second or two more.
27. Test the AUTO window function.