

**INSTALLATION  
INSTRUCTIONS**

Accessory

**EXHAUST PIPE TRIM  
P/N 08F53-S9A-100 (CHROME)**

Application

**CR-V**

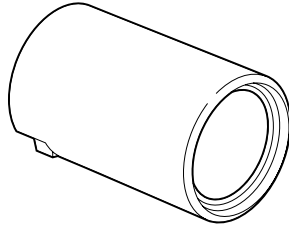
Publications No.

**All 27173**

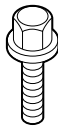
Issue Date

**SEP 2004****PARTS LIST**

Exhaust pipe trim



Flange bolt

**TOOLS REQUIRED**

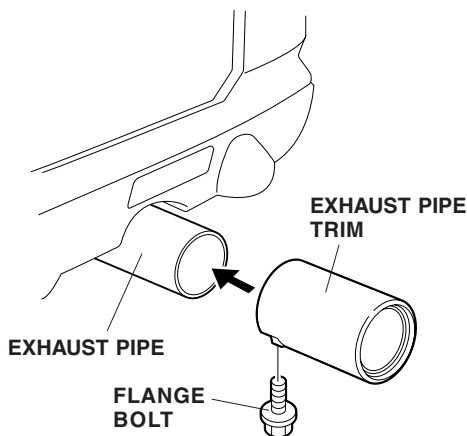
10 mm Socket

Torque wrench

**INSTALLATION****NOTE:**

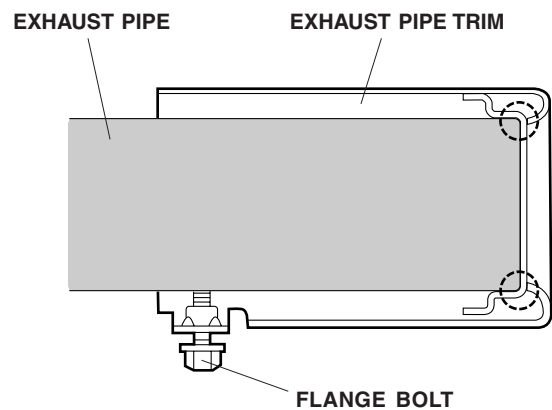
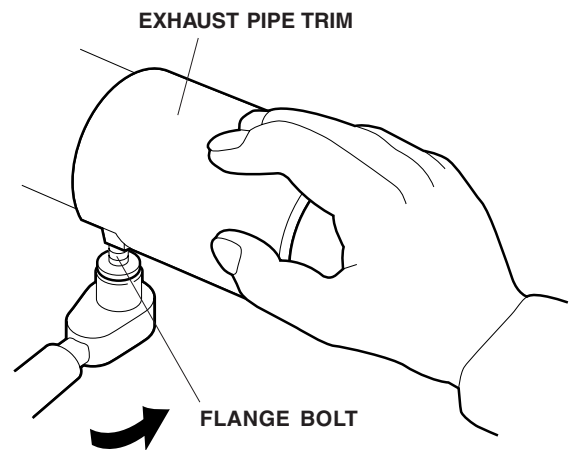
- Allow the exhaust pipe to cool down before you install the exhaust pipe finisher.
- Never use abrasive-type cleaners to clean the exhaust pipe trim; they will damage the trim finish.

1. Partially thread the flange bolt into the exhaust pipe trim.



2. With the flange bolt facing down, slide the exhaust pipe trim onto the exhaust pipe until it bottoms.

3. While pushing the exhaust pipe finisher firmly against the exhaust pipe, tighten the flange bolt. Torque the flange bolt to 10 N·m (7 lb-ft).



4. Start the engine and rev it up a few times. Listen for vibration from the exhaust pipe trim and adjust if necessary.