



INSTALLATION INSTRUCTIONS

Accessory

SIDE STEP
P/N 08L33-S9A-100A (BLACK)
P/N 08L33-S9A-100C (CHROME)

Application

2005 CR-V

Publications No.

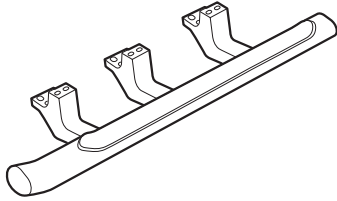
All 27189

Issue Date

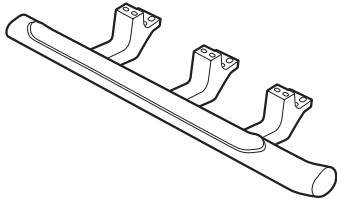
SEP 2004

PARTS LIST

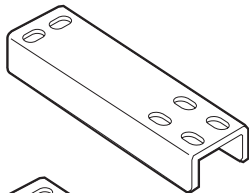
Left side step



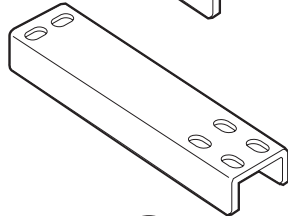
Right side step



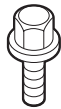
5 Brackets



Long bracket
(left side only)



48 Flange bolts



24 Flange nuts



TOOLS REQUIRED

Ratchet
13 mm Socket
13 mm Combination wrench
Torque wrench
Extension

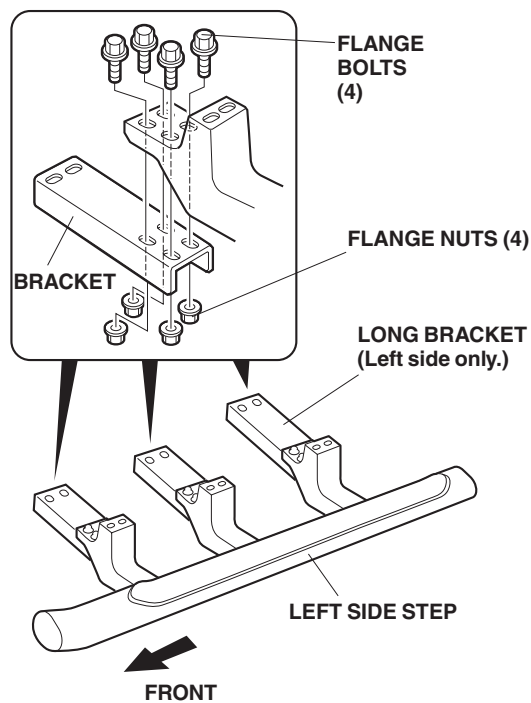
INSTALLATION

Customer Information: The information in this installation instruction is intended for use only by skilled technicians who have the proper tools, equipment, and training to correctly and safely add equipment to your vehicle. These procedures should not be attempted by "do-it-yourselfers."

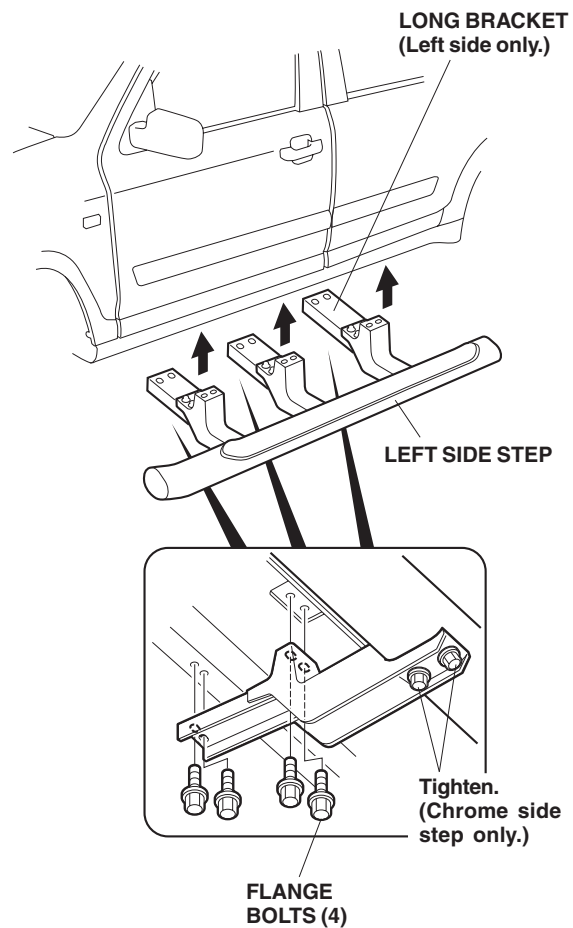
NOTE:

- Clean the bottom of the body from the rear of the front wheels up to the front of the rear wheels.
- To prevent damage to the side step during installation, place a blanket under the side step during the installation.
- These instructions show the left side step being installed; the same procedure applies to installing the right side step.

1. Loosely position the three brackets (long bracket on the left side) on the left side step; install the four flange bolts and four flange nuts on each one. Do not tighten the bolts yet.



2. Position the left side step on the body, and loosely install the twelve flange bolts.



3. Torque all the flange nuts and bolts to 23 N·m (17 lb-ft). For the chrome side step, torque the outer two bolts to 23 N·m (17 lb-ft).
4. Repeat steps 1 through 3 to install the side step on the right side of the vehicle. The brackets on the right side are all one length.