



# HONDA INSTALLATION INSTRUCTIONS

Accessory

EXHAUST PIPE FINISHER  
P/N 08F53-SWA-100

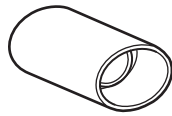
Application

CR-V

Publications No.  
All 32938-33769Issue Date  
SEP 2006

## PARTS LIST

Exhaust pipe finisher



Flange bolt

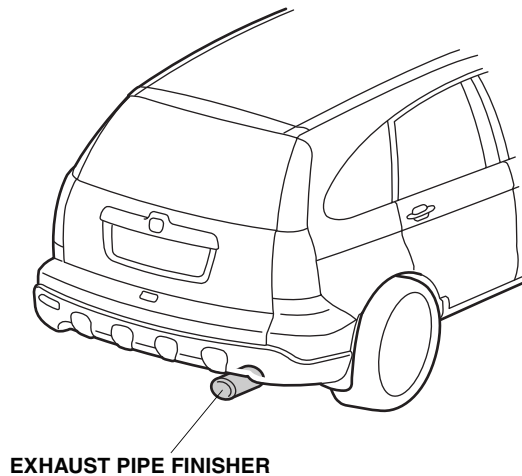


## TOOLS AND SUPPLIES REQUIRED

Ratchet wrench

10 mm Socket

### Illustration of the Exhaust Pipe Finisher on the Vehicle



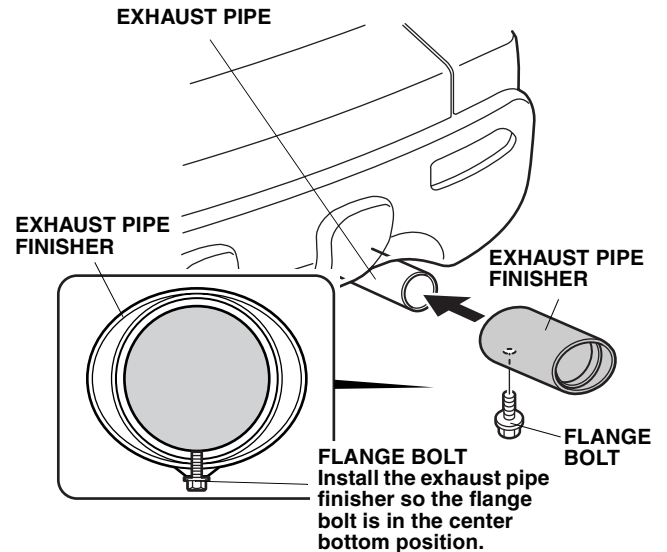
EXHAUST PIPE FINISHER

## INSTALLATION

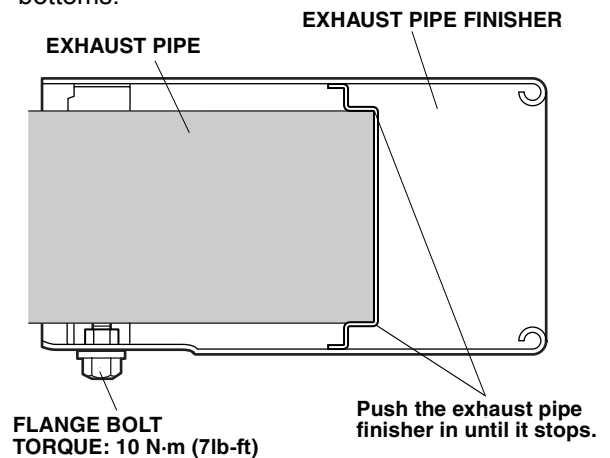
### NOTE:

- Allow the exhaust pipe to cool down before you install the exhaust pipe trim.
- These instructions show the right exhaust pipe trim being installed. The same procedure applies to installing the left exhaust pipe trim.

1. Partially thread the supplied flange bolt into the new exhaust pipe trim.



2. With the special bolt on the bottom, slide the exhaust pipe trim onto the exhaust pipe until it bottoms.



3. While pushing the exhaust pipe trim firmly against the exhaust pipe, tighten the flange bolt. Torque to 10 N•m (7lb-ft).
4. Repeat steps 1 through 4 to install the other exhaust pipe trim.
5. Start the engine, and rev it up a few times. Listen for vibration from the exhaust pipe trim and adjust if necessary.

NOTE: Do not clean the exhaust pipe finisher using a wax that contains abrasive material, as it can scratch the accessory.