



# INSTALLATION INSTRUCTIONS

Accessory  
**TAILGATE SPOILER**  
P/N 08F02-SWA-100

Application  
**CR-V**

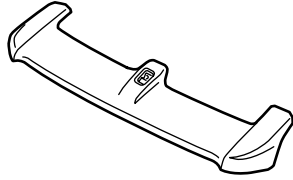
Publications No.  
**All 32937**

---

Issue Date  
**SEP 2006**

## PARTS LIST

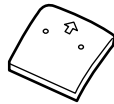
Tailgate spoiler



3 Rubber seals



Template



Jack nut



4 Cap nuts



Collar



Washer-screw, 6 x 20 mm



Washer-screw, 6 x 25 mm



Cover



## TOOLS AND SUPPLIES REQUIRED

Flat-tip screwdriver

File

12 mm Combination wrench

Drill

3 mm, 6 mm, 8 mm and 11 mm Drill bits

Drill stop

Eye protection (face shield, safety goggles, etc.)

Ratchet

Felt-tip pen

10 mm socket

Center punch

Jack nut tool or open end wrench

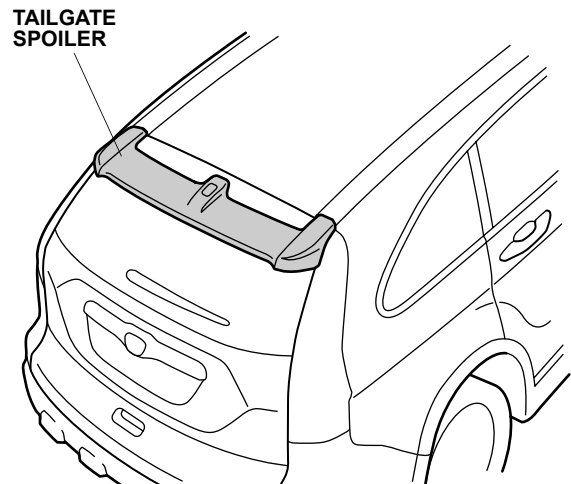
Masking tape

Touch-up paint

Shop towel

Isopropyl alcohol

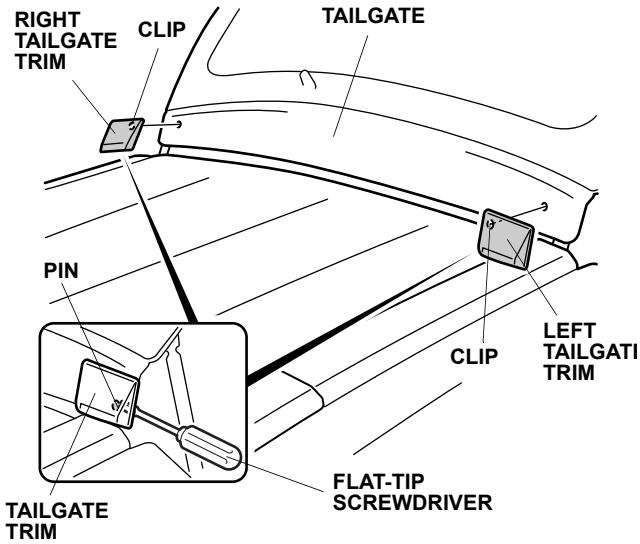
## Illustration of the Tailgate Spoiler on the Vehicle



## INSTALLATION

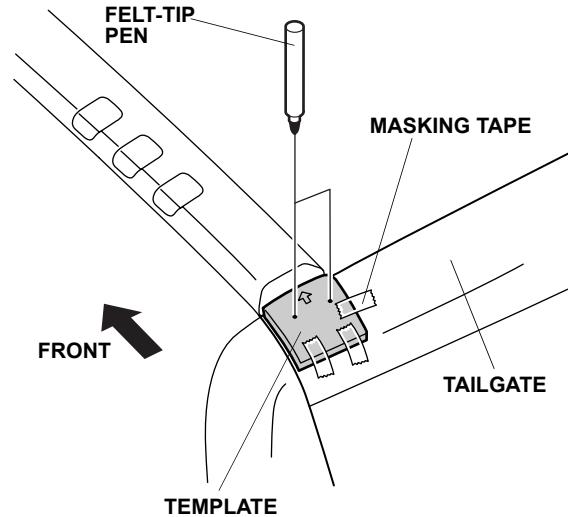
NOTE: Be careful not to damage the tailgate and the body paint finish.

1. Open the tailgate. Insert a flat-tip screwdriver into the specified position of the right tailgate trim, and remove the pin as shown.

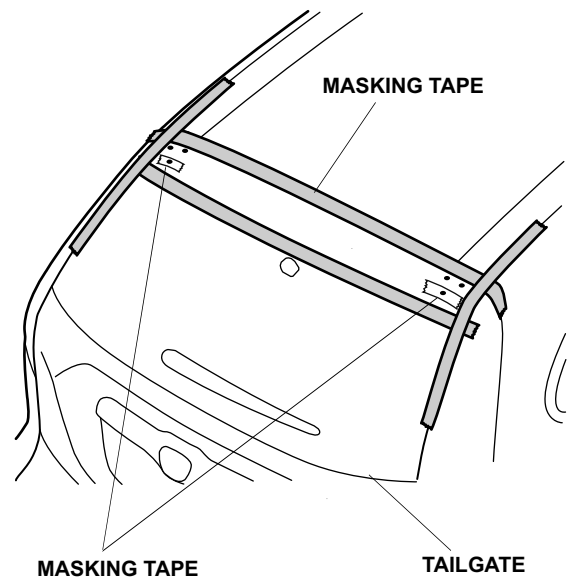


2. Remove the clip and remove the right tailgate trim.
3. Remove the left tailgate trim in the same manner.

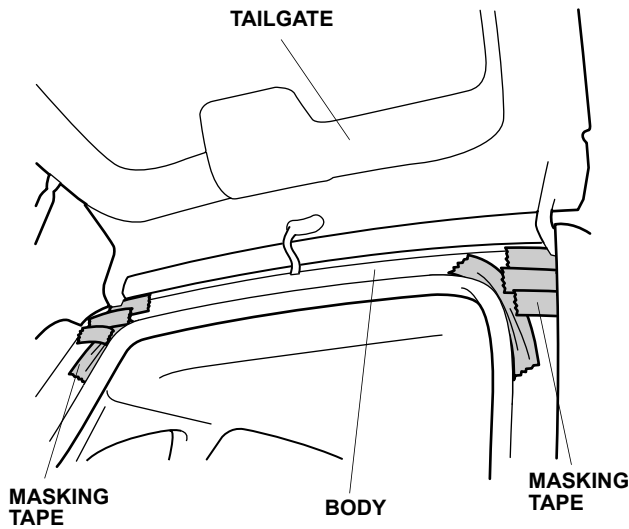
4. Align the template with the left edge of the tailgate, and the front edge of the tailgate. Hold the template in place using masking tape. Mark the tailgate through the template using a felt-tip pen. Remove the template.



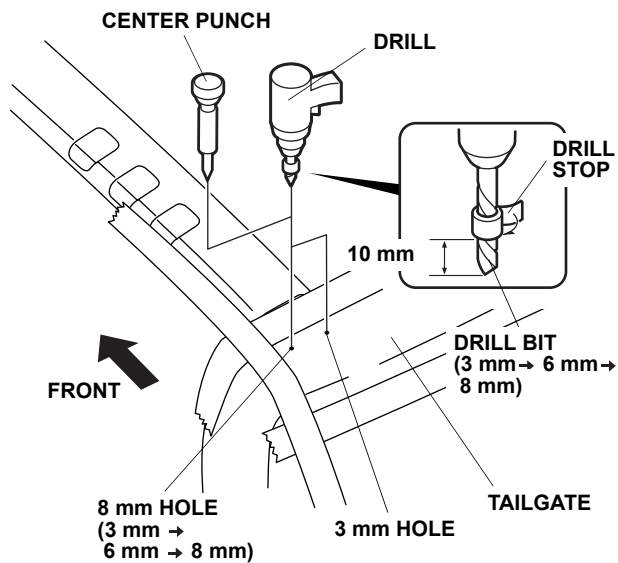
5. Turn the template over, and align the template with the right edge of the tailgate, and the front edge of the tailgate. Hold the template in place using masking tape. Mark the tailgate through the template using a felt-tip pen. Remove the template.
6. Apply masking tape over the gaps between the tailgate and body and the holes as shown.



- Open the tailgate. Apply masking tape over the ends of the taillight housing. Close the tailgate.

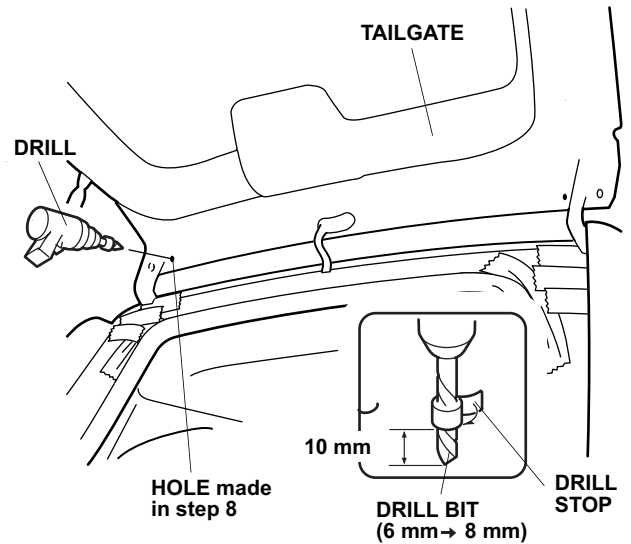


- While wearing eye protection, center-punch the marks you made in steps 4 and 5 and drill the left side of the tailgate:
  - Using a drill stop, drill a 3 mm hole at each center-punched mark.
  - Enlarge the outboard hole to 8 mm. First drill with a 6 mm bit, and finish with an 8 mm drill bit. Use a drill stop on each drill bit.

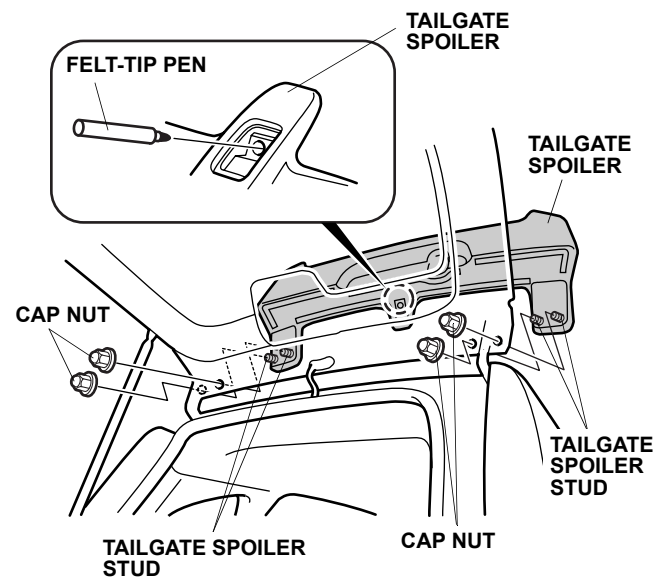


- Repeat the steps 8 to drill the tailgate on the right side of the vehicle. Remove any burrs from the edges of the holes using a file, and apply touch-up paint to the edges. Allow the touch-up paint to dry.

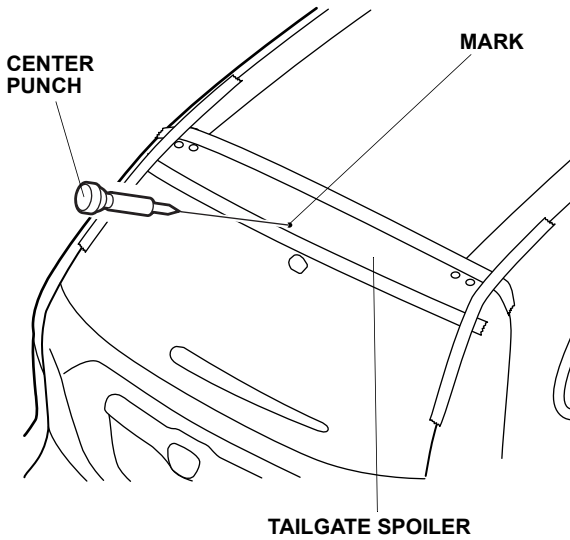
- Open the tailgate. With the tailgate open enlarge the inner hole drilled to 3 mm in step 8 to 8 mm.
  - While wearing eye protection, first drill a with a 6 mm drill bit, and finish with an 8 mm drill bit. Use a drill stop on each drill bit.
  - Remove any burrs from the edges of the holes using a file, and apply touch-up paint to the edges. Allow the touch-up paint to dry.



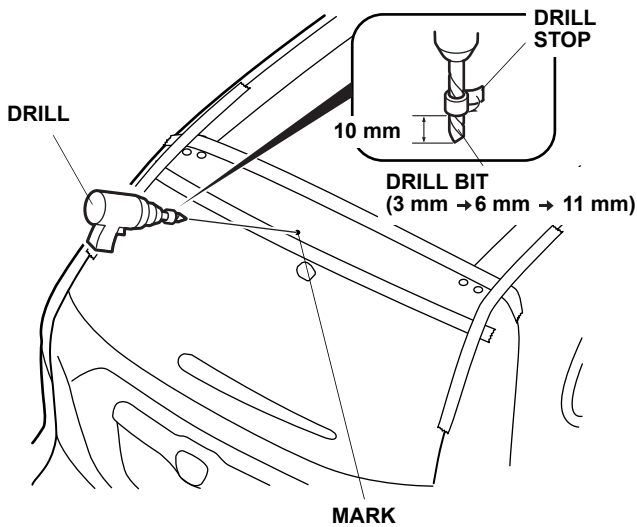
- Insert the studs on the tailgate spoiler into the holes you drilled and Loosely install the four cap nuts. Close the tailgate, using a felt-tip pen, mark the tailgate through the center hole in the spoiler.



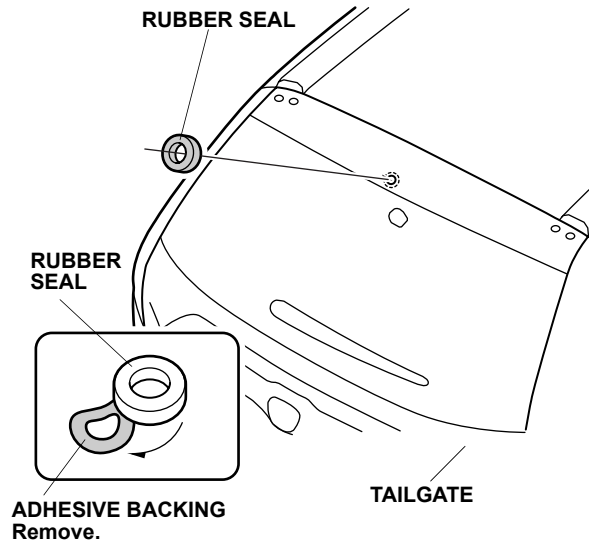
12. Remove the tailgate spoiler, and lightly center-punch the mark you made.



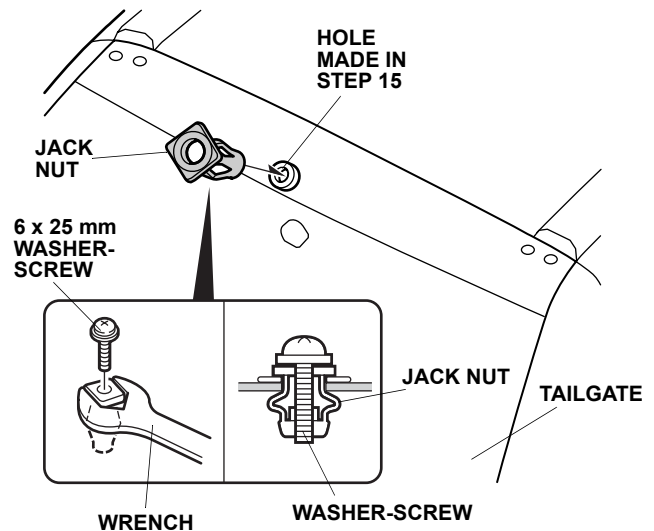
13. Drill an 11 mm hole through the center punched mark:
- While wearing eye protection, first drill with a 3 mm drill bit then with a 6 mm drill bit, and finish with an 11 mm drill bit. Use a drill bit stop on each drill bit.
  - Using a file remove any burrs at the edges of the holes, and apply touch-up paint to the edges. Allow the touch-up paint to dry.
  - Remove the masking tape from the tailgate opening, and remove all metal chips.



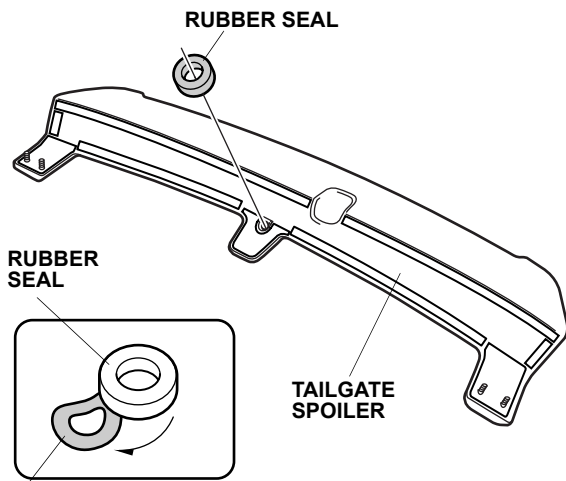
14. Using isopropyl alcohol on a shop towel clean around the center tailgate hole. Remove the adhesive backing from the rubber seal and attach the rubber seals.



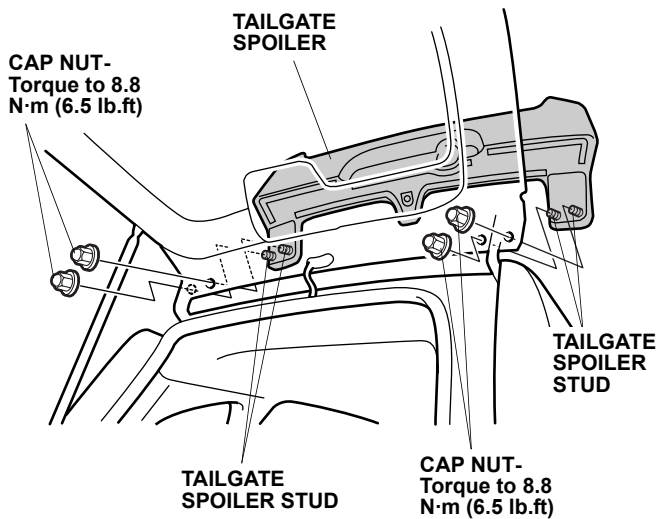
15. Install the Jack nut:
- Insert the jack nut into the center tailgate hole you made and install it using a jack nut tool. If a jack nut tool is not available, install the 6 x 25 mm washer-screw (supplied) while holding the jack nut with a on open-end wrench..
  - Tighten the 6 x 25 mm washer-screw with care until it bottoms out, be careful not to damage the vehicle body.
  - Remove the washer-screw.



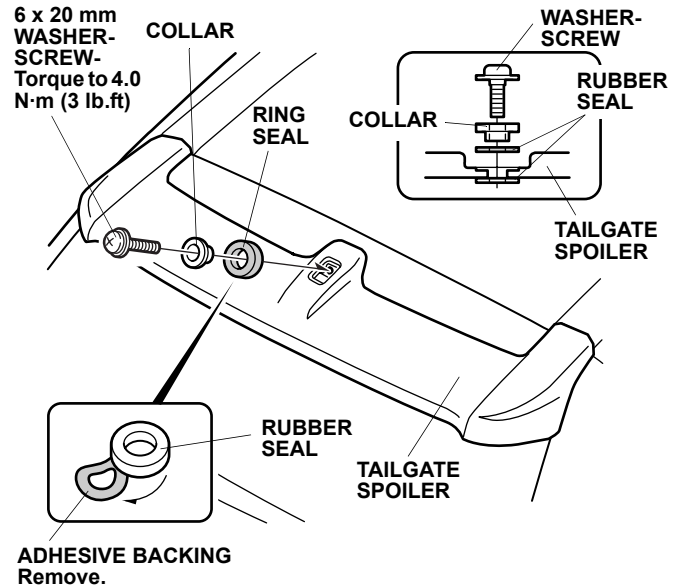
16. Using isopropyl alcohol on a shop towel, clean the spoiler area around the center hole. Remove the adhesive backings from the rubber seal, and attach the rubber seal to the center hole in the spoiler.



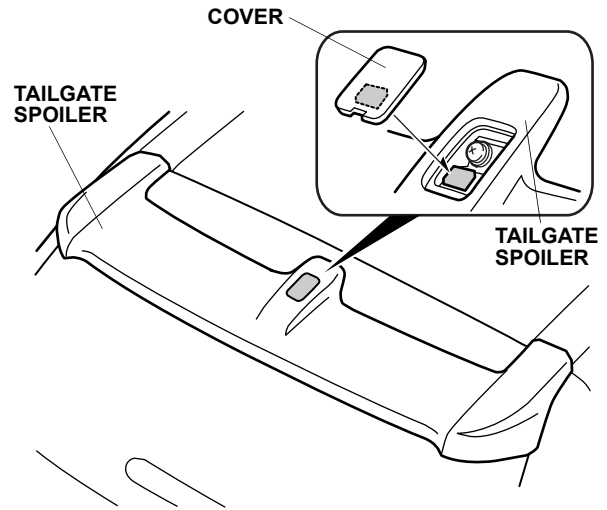
17. Open the tailgate and install the spoiler on the tailgate. Install the four cap nuts to the spoiler studs and torque the cap nuts to 8.8 N·m (6.5 lb.ft).



18. Using isopropyl alcohol on a shop towel, clean the spoiler around the center hole. Remove the adhesive backing from the rubber seal and attach the rubber seal to the center hole in the spoiler.



19. Install the collar, 6 x 20 mm and washer-screw rubber to the tailgate spoiler. Torque the 6 x 20 mm washer-screw to 4.0 N·m (3 lb.ft).
20. Install the cover on the tailgate spoiler securely.



#### USE AND CARE

- Handle the spoiler with care. It is not designed to absorb impact.
- Do not open or close the tailgate by grasping the tailgate spoiler.
- Check the spoiler mounting nuts periodically, and retighten them if necessary.