























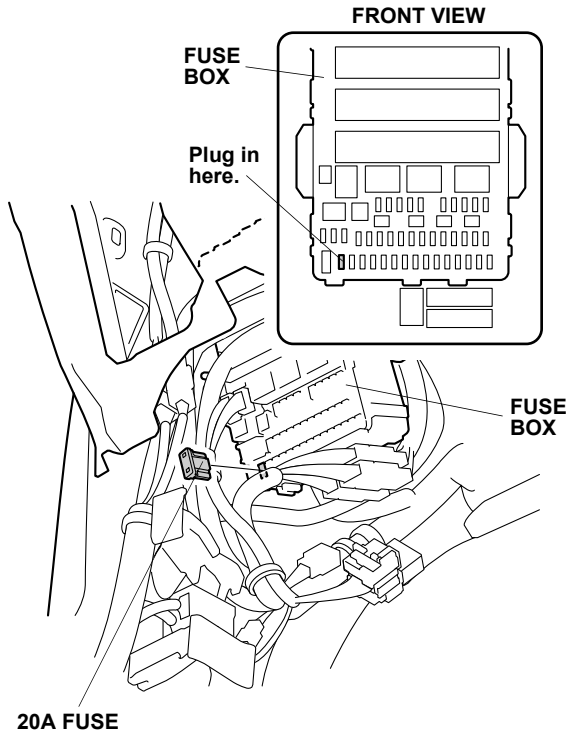




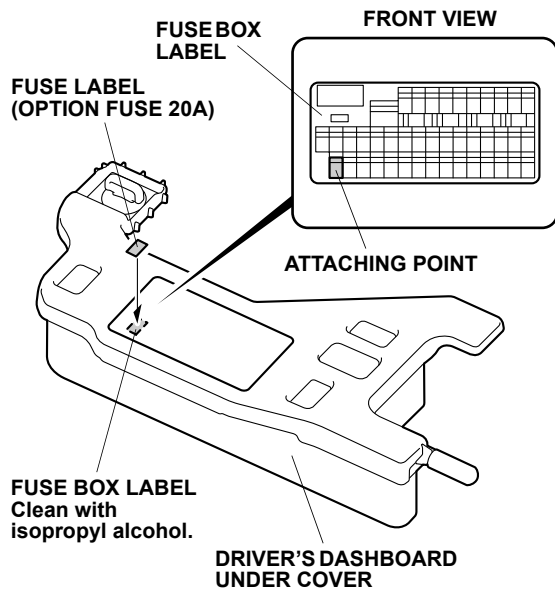




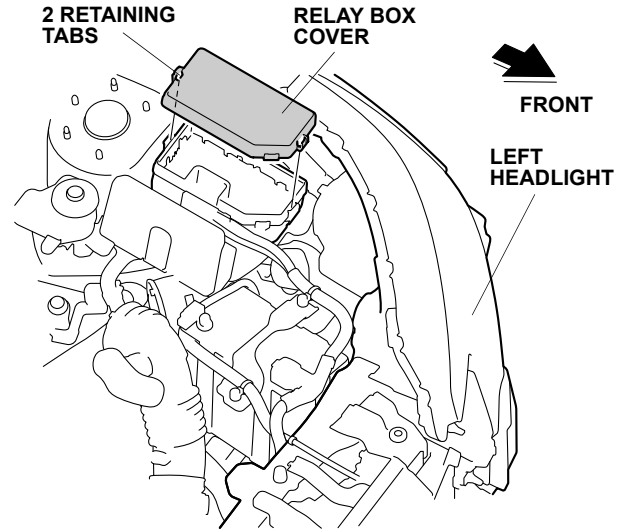
61. If a 20A fuse is already installed in the fuse box, go to step 62. If not, install the 20A fuse into the fuse box.



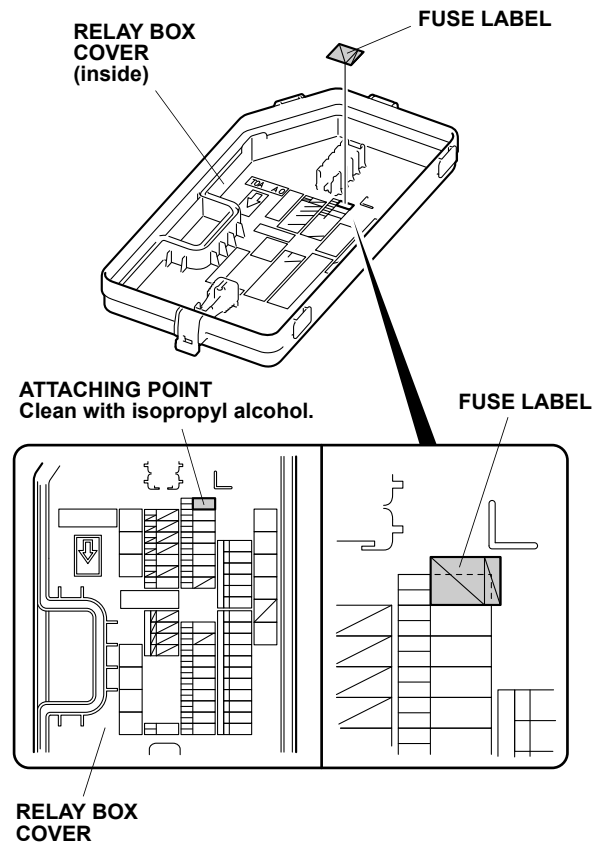
62. Using isopropyl alcohol on a shop towel, thoroughly clean the area where the fuse label will attach. Attach the fuse label to the fuse box label on the driver's dashboard under cover.



63. Remove the relay box cover (two retaining tabs).




64. Using isopropyl alcohol on a shop towel, thoroughly clean the area where the fuse label will attach. Attach the fuse label to the relay box cover.

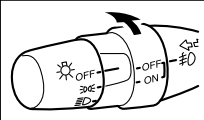


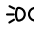
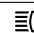
65. Check that all wire harnesses are routed properly and all connectors are plugged in.
66. Reinstall all removed parts. Do not reinstall the clips and bolts that fasten the front bumper at this time. Check that all clips and fasteners are installed securely.
67. Reconnect the negative cable to the battery.
68. Press and hold the radio power button for two seconds to restore the radio and navi (if equipped) system functions.
69. Reset the clock (vehicle without navigation).

## USE AND CARE

### How to Operate the Fog Lights

- Turn the headlight switch to the “ D” position (headlights on low beam).
- Turn on the fog light switch (indicator is on).
- If the fog lights do not turn on, check the fuse and all the connectors, including the ground cable.

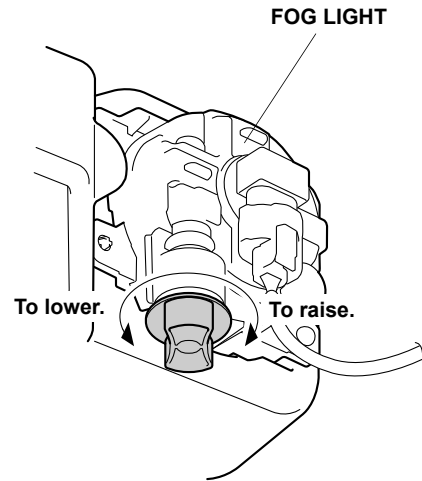


		HEADLIGHT SWITCH			
		OFF			
FOG LIGHT SWITCH	OFF	-	-	-	-
	ON	-	-	ON	-

NOTE: The fog light lenses can cloud when the outside temperature is cold; this is normal and should go away in warm weather.

### How to Aim the Fog Lights

70. Adjust the aim:
  - Release the splash shield.
  - Turn the aiming adjustment knob in or out until the correct aim is obtained.
  - Adjust the aim according to local laws and regulations.



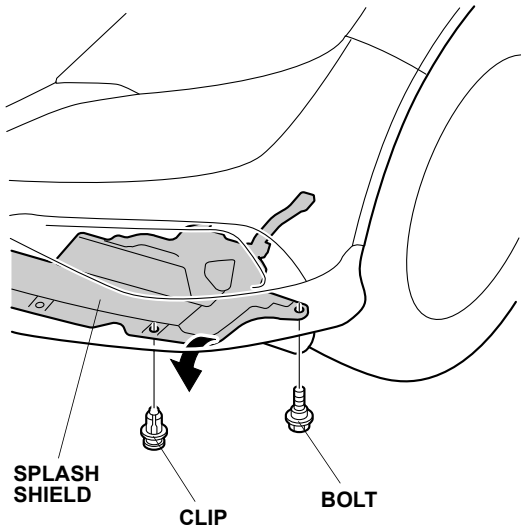
71. Secure the clips and bolts to the splash shield.



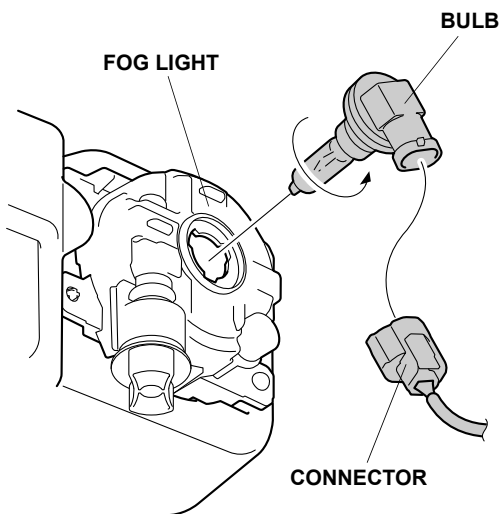
## BULB REPLACEMENT

NOTE: Use only a Genuine Honda halogen light bulb of the specified wattage.

1. Release the splash shield (one bolt and one clip).



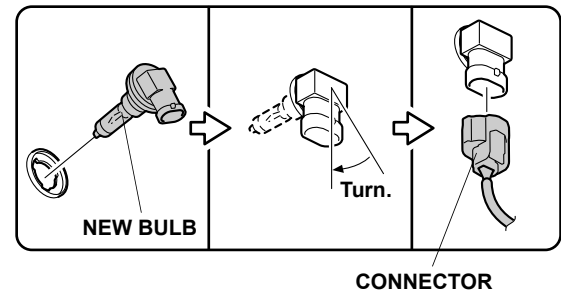
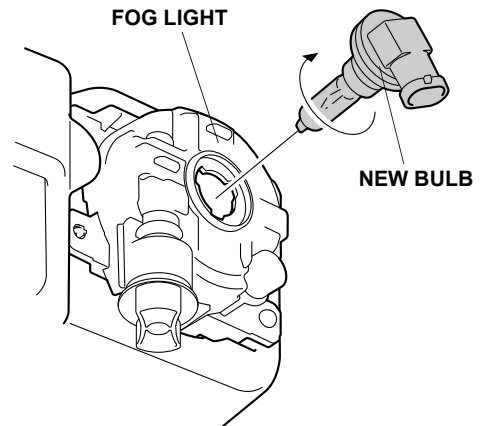
2. Insert your hand behind the splash shield. Unplug the connector from the fog light.



3. Remove the bulb by turning it counterclockwise.

4. Install the new bulb into the fog light.

- Do not touch the bulb. Oily or greasy substances on the bulb can shorten its service life due to the heat produced when the bulb is turned on. If you accidentally touch the bulb, wipe it clean with a soft cloth that has been dampened with denatured alcohol or a mild detergent solution.
- When installing the new bulb, align the cutout on the fog light with the tab on the new bulb and turn the new bulb clockwise to lock it in place. If the bulb is not properly aligned, the fog light may annoy oncoming drivers.



5. Reinstall the clip and bolt. Make sure the wire harness is not pinched.
6. Check the operation of the fog light, and adjust the aim if necessary.