

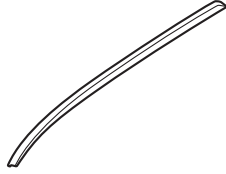


# INSTALLATION INSTRUCTIONS

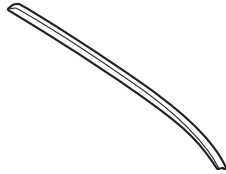
<b>Accessory</b> <b>ROOF RACK RAILS</b> <b>P/N 08L02-T0A-110A</b>	<b>Application</b> <b>2015 CR-V</b>	<b>Publications No.</b> <b>VERSION 2</b>
		<b>Issue Date</b> <b>NOV 2014</b>

## PARTS LIST

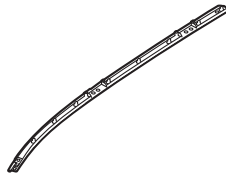
Left roof rack rail cover



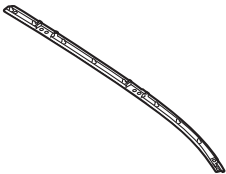
Right roof rack rail cover



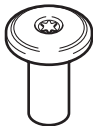
Left roof rack rail base



Right roof rack rail base



12 Torx nuts



2 Self-tapping screws



## TOOLS AND SUPPLIES REQUIRED

Flat-tip screwdriver

T-15 and T-30 Torx bits

Eye protection (face shield, safety goggles, etc.)

File

Felt-tip pen

Blanket

Approx. 120 mm height empty cardboard box

Torque wrench

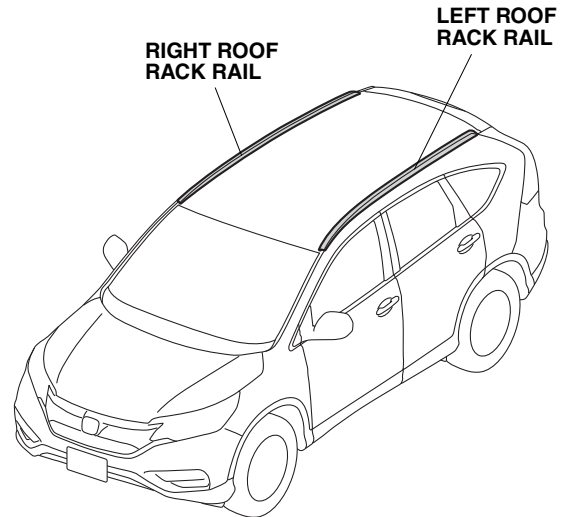
Ruler

Tape

*The following tools are available through the Honda Tool and Equipment Program. On the iN, click on: Service > Service Bay > Tool and Equipment Program, then enter the number under "Search". Or, call 888-424-6857.*

- Plastic Trim Tool (T/N SILTRIMTL10)
- Air Saw (T/N AT192A)

## Illustration of the Roof Rack Rails Installed on the Vehicle



QD31801AA

## INSTALLATION

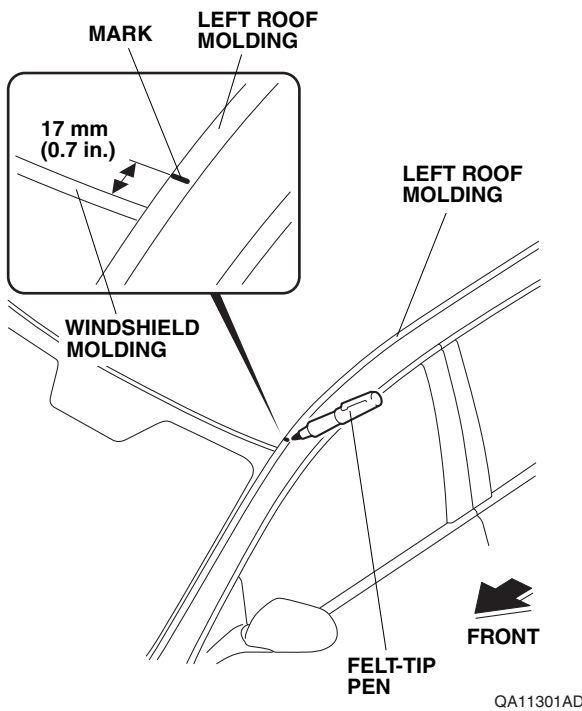
**Customer Information:** The information in this installation instruction is intended for use only by skilled technicians who have the proper tools, equipment, and training to correctly and safely add equipment to your vehicle. These procedures should not be attempted by “do-it-yourselfers.”

### NOTE:

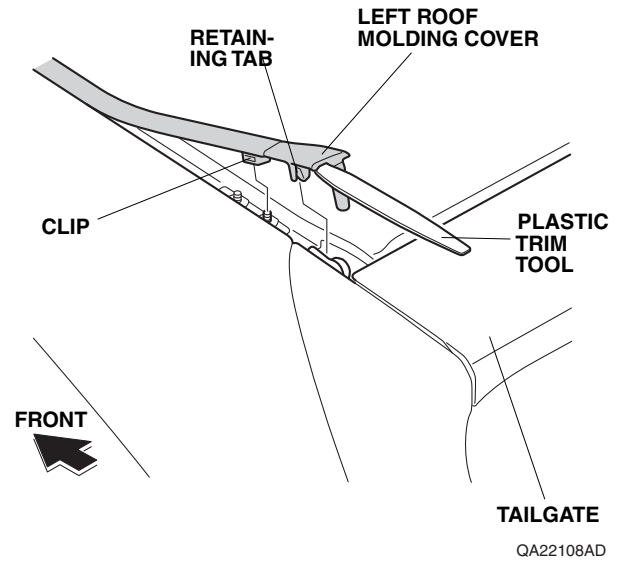
- Be extremely careful not to damage the roof and other finished surfaces of the body when installing the roof rack rails.
- The weight of the cargo must not exceed the maximum weight capacity of 75 kg (165 lbs).

### Installing the Roof Rack Rails

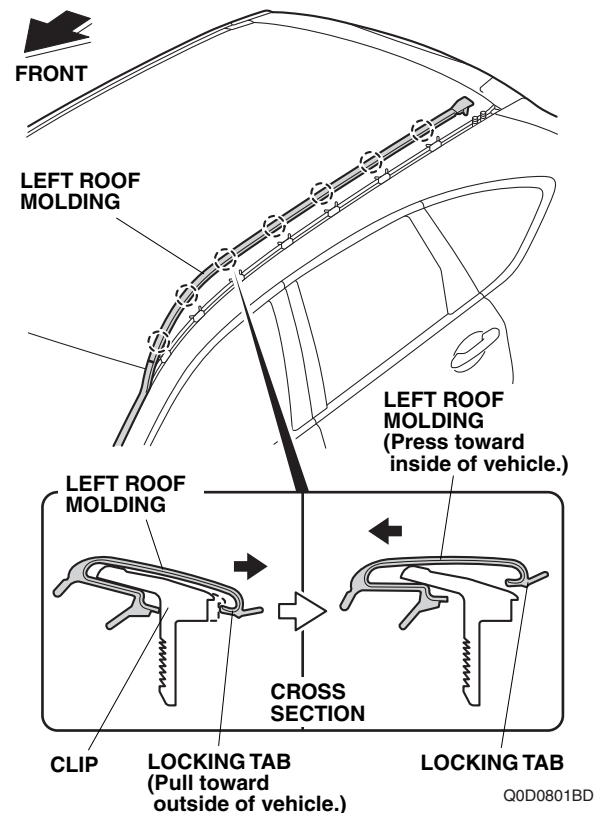
1. Measure rearward from the windshield molding, and mark the left roof molding at the measurement shown.



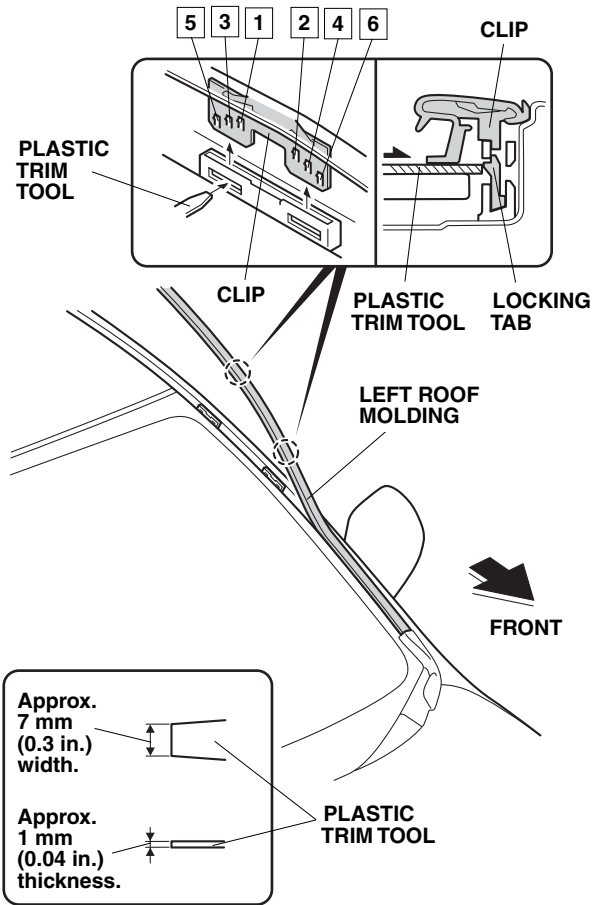
2. Using a plastic trim tool, pry up on the left roof molding cover to release one retaining tab and one clip.



3. Pull the left roof molding toward the outside of vehicle to release the locking tab, and then press the locking tab toward the inside of vehicle, and release the left roof molding from the vehicle. When removing the left roof molding, start from the rear of vehicle and work towards the front.

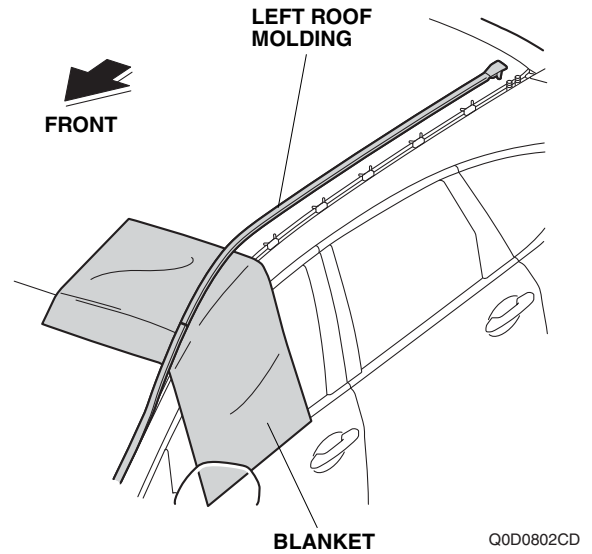


- While pulling up the left roof molding, remove the two clips. Insert the plastic trim tool alternately to each slots in the clip, and release the locking tabs in the order shown. When removing the left roof molding, start from the rear of vehicle and work towards the front. Be careful not to deform the roof molding.

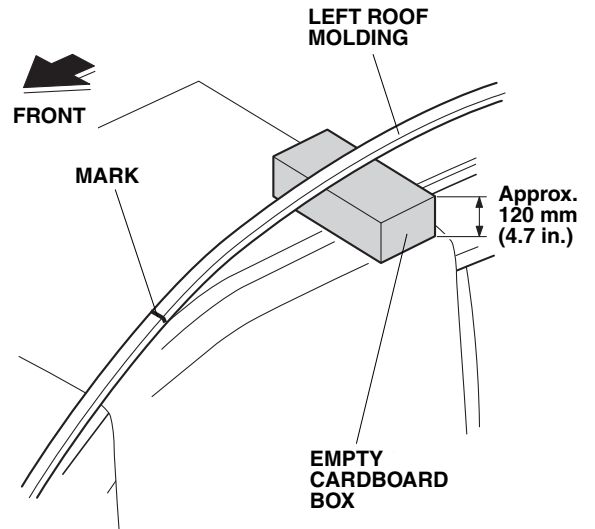


QA60801AG

- Place a blanket over the roof of vehicle under the left roof molding. Be careful not to deform the roof molding when measuring and cutting.

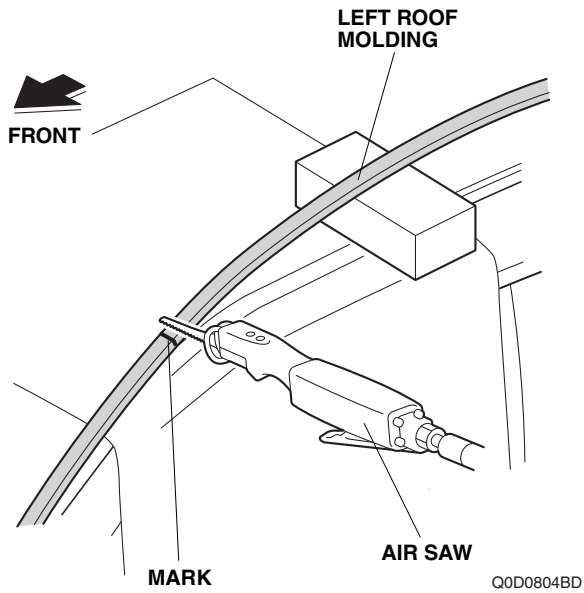


- Place an empty cardboard box (approx. 120 mm tall) under the left roof molding near the mark.

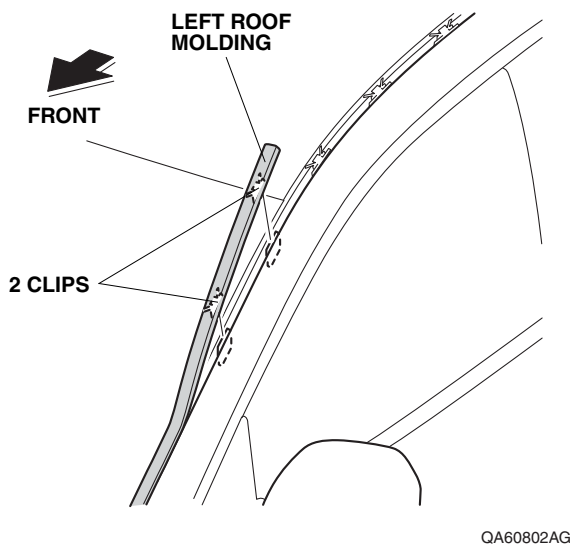


Q0D0803BD

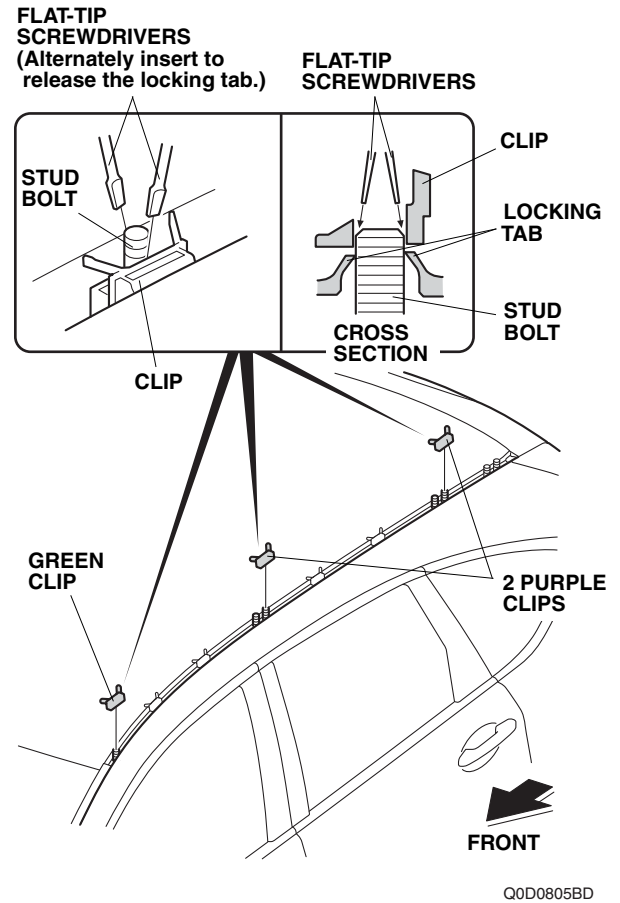
7. While wearing an eye protection, use an air saw to cut the left roof molding at the mark. Do not use a cutting wheel or shears to cut the left roof molding, it will damage the left roof molding. Have an assistant hold the rear edge while cutting.



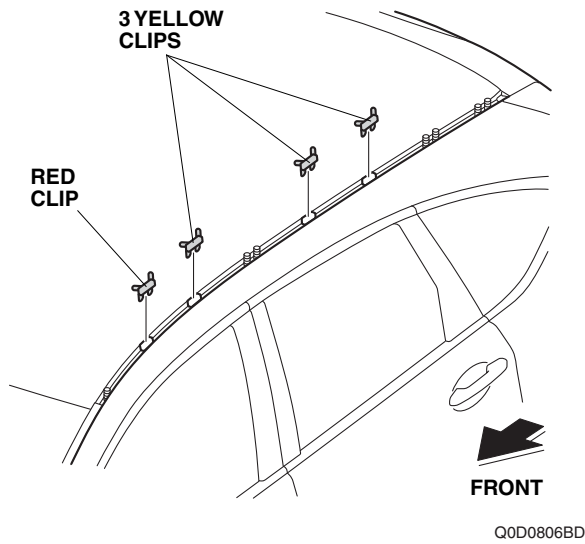
8. Remove the cardboard box and blanket.
9. Secure the two clips removed in step 4.



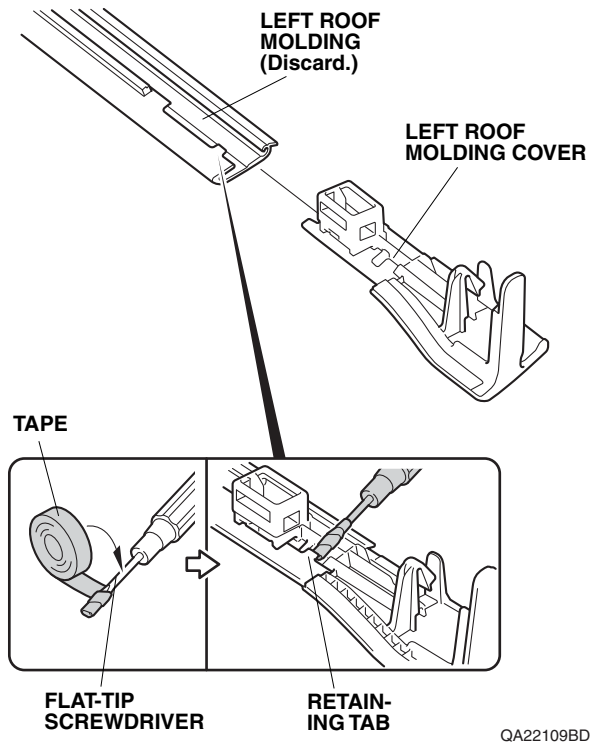
10. Insert flat-tip screwdrivers alternately between the green clip and the stud bolt as shown. While pulling on the green clip, release the locking tab on the green clip from the groove on the stud bolt notch by notch, and remove the green clip. Repeat the same procedure to remove the two purple clips.



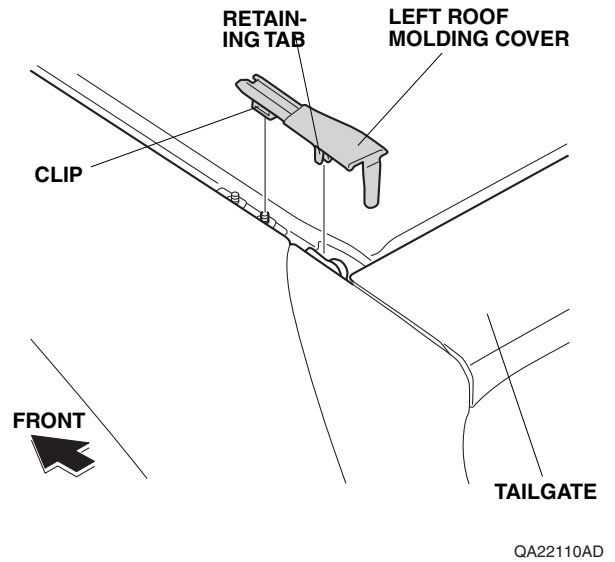
11. Remove the red clip and the three yellow clips.



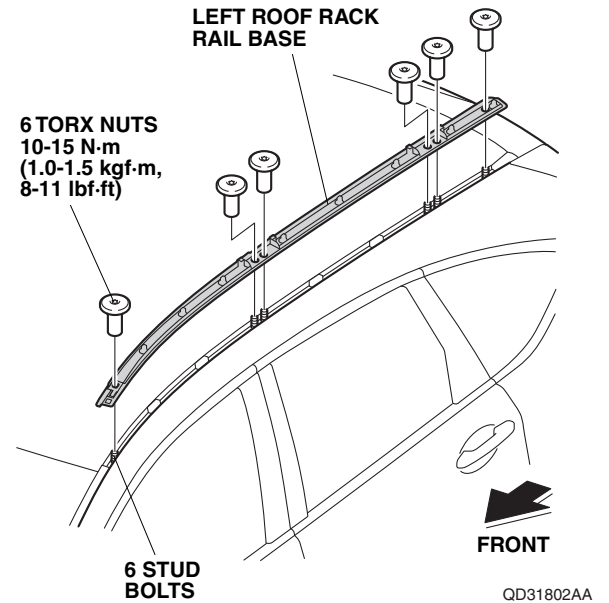
12. Using a flat-tip screwdriver wrapped with tape, remove the left roof molding cover from the left roof molding (one retaining tab). Discard the left roof molding.



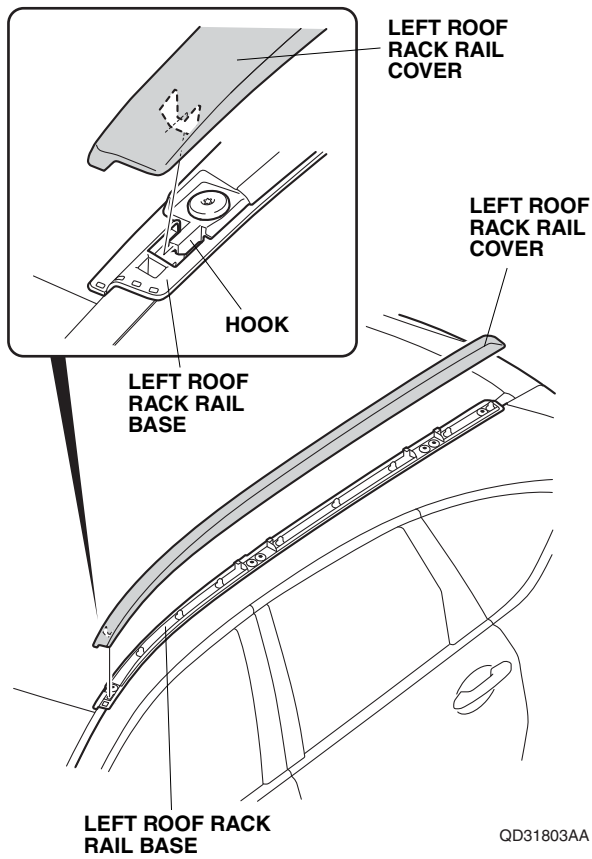
13. Reinstall the left roof molding cover in its original position on the roof.



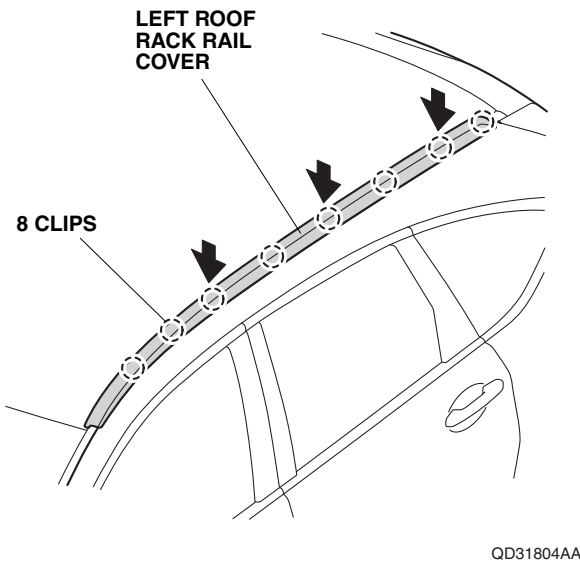
14. Install the left roof rack rail base to the vehicle using six Torx nuts. Torque the Torx nuts to 10-15 N·m (1.0-1.5 kgf·m, 8-11 lbf·ft).



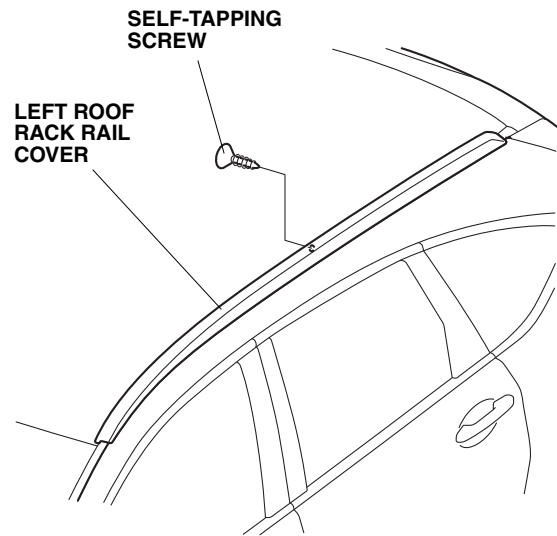
15. Hook the front of the left roof rack rail cover to the left roof rack base.



16. Secure the left roof rack rail cover to the left roof rack base with eight clips.



17. Secure the left roof rack rail cover to the left roof rack base with one self-tapping screw.



QD31805AA

18. Repeat steps 1 through 17 to install the right roof rack rail.

#### USE AND CARE

Check the roof rack rail mounting bolts frequently, and re-tighten if necessary.