



# INSTALLATION INSTRUCTIONS

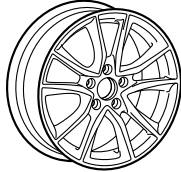
Accessory  
**17" ALUMINUM WHEEL**  
P/N 08W17-T0A-100

Application  
**CR-V**

Publications No.  
**All 12063**  
Issue Date  
**DEC 2011**

## PARTS LIST

Aluminum wheel  
(The illustration may differ from the actual wheel.)

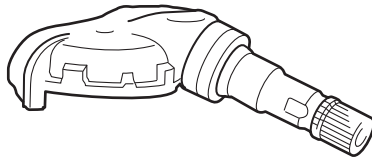


Wheel center cap  
(The illustration may differ from the actual center cap.)



### Parts for TPMS sensor assembly

Tire pressure sensor



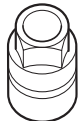
Washer



Valve cap



Valve nut



## TOOLS AND SUPPLIES REQUIRED

- Ratchet
- 11 mm Socket
- Torque wrench
- HDS

The following tool is available through the Honda Tool and Equipment Program. On the iN, click on: Service > Service Bay > Tool and Equipment Program, then enter the number under "Search." Or call 888-424-6857.

- TPMS Trigger Tool (T/N AEQVT55)

## SPECIFICATIONS

Rim size	17 x 6 1/2 J (inset 50)	
Tire size	225/65R17 102T	
Bolt hole PCD	114.3 (5 holes)	
Tire pressure	Front	210 kpa (2.1 kgf/cm <sup>2</sup> , 30 psi)
	Rear	210 kpa (2.1 kgf/cm <sup>2</sup> , 30 psi)

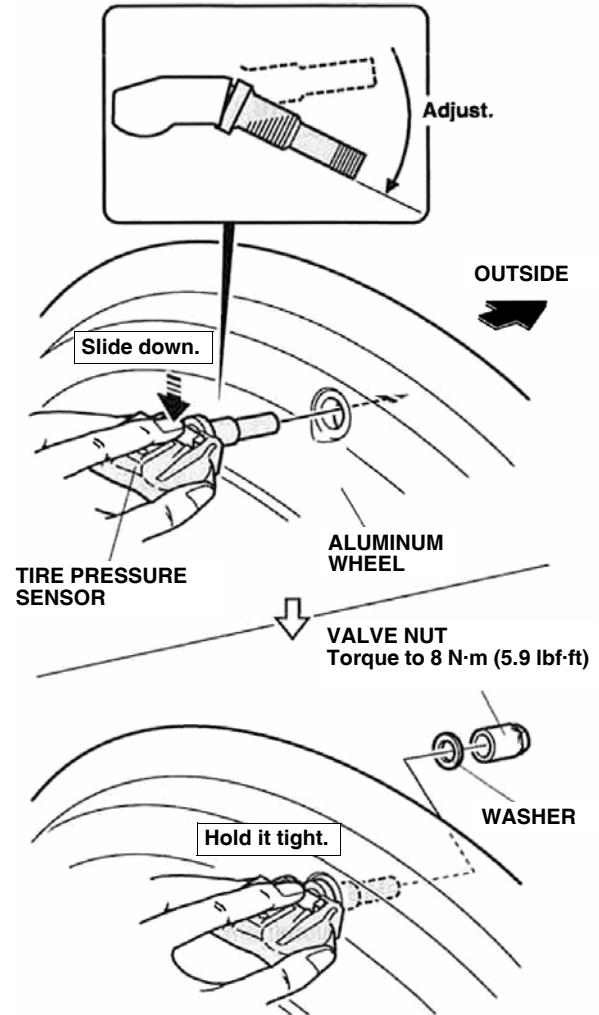
## INSTALLATION

**Customer Information:** The information in this installation instruction is intended for use only by skilled technicians who have the proper tools, equipment, and training to correctly and safely add equipment to your vehicle. These procedures should not be attempted by “do-it-yourselfers.”

### NOTE:

- This aluminum wheel is designed for use on vehicles equipped with a TPMS (Tire Pressure Monitoring System).
- This aluminum wheel is equipped with a TPMS sensor. See the service manual for the tire replacement and TPMS sensor installation procedures.
- The illustrations of the aluminum wheels are shown for reference purposes only.
- Install the correct size tire.
- Follow the instructions described in the owner’s manual when jacking up the vehicle and removing and installing the wheels. Do not overtighten the wheel nuts by placing your weight on the wrench or by using a pipe for added leverage.  
Wheel nut torque: 108 N·m (11 kgf·m, 80 lbf·ft).
- Use a tire changer to install and remove the tires as shown in the operation manual furnished with the tire changer. Do not use a tire lever to install and remove the tires as it may cause damage to the tire and aluminum wheel.
- Be careful not to damage the vehicle and the parts.

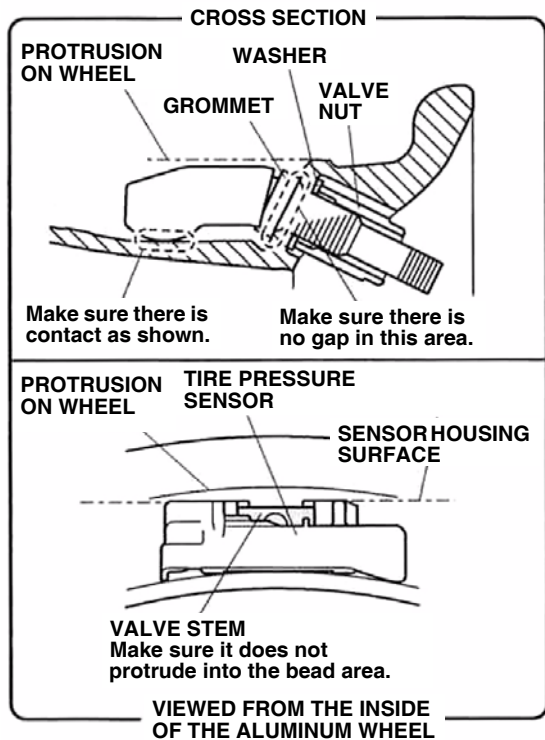
1. Before installing the tire pressure sensor, clean the mating surface on the sensor and the aluminum wheel.



2. Install the tire pressure sensor and the washer on the aluminum wheel, and finger tighten the valve nut. Make sure the pressure sensor is resting on the wheel.
3. Tighten the valve nut to the specified torque while holding the tire pressure sensor against the wheel. Torque to 8 N·m (5.9 lbf·ft).

**NOTE:**

- Check the grommet on the tire pressure sensor to make sure there is no gap.
- Make sure the valve stem does not protrude into the sensor housing surface.
- To prevent the sensor housing from being caught on the bead of the tire, install the tire pressure sensor so that the sensor housing surface does not protrude into the bead area of the wheel.
- Do not reuse grommets that have been tightened, even one time, to the specified torque, as they are deformed inside.
- Do not use pneumatic or electric tools on the valve nut.
- Tightening the nut over the specified torque can damage the grommet.



4. Install the tires according to the instructions in the service manual.
5. Install the wheels on the vehicle and torque the wheel nuts to 108 N·m (80 lbf·ft).

**MEMORIZING THE TIRE PRESSURE SENSOR ID**

6. Using the HDS and TPMS trigger tool, memorize the tire pressure sensor ID according to the instructions in the service manual (Memorizing the Tire Pressure Sensor ID).

