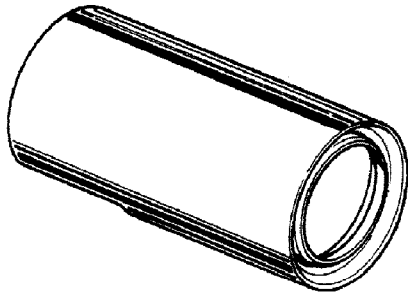


HONDA INSTALLATION INSTRUCTIONS	Accessory	Application	Publications No.
	EXHAUST PIPE FINISHER	2000 CR-V	All 20638
			Issue Date
			OCT 1999

PARTS LIST

Stainless Exhaust Pipe Finisher:
P/N 08F53-S10-100

Gold Exhaust Pipe Finisher:
P/N 08F53-S10-100F



Bolt, 6 x 14 mm

TOOLS REQUIRED

10 mm Combination wrench

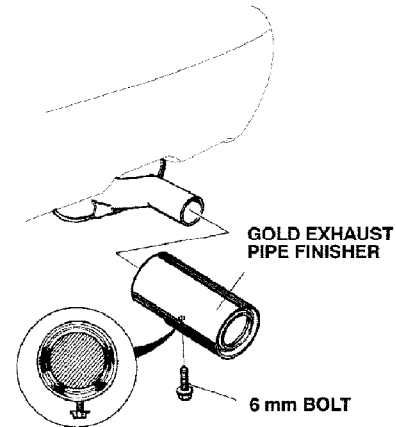
Torque wrench

10 mm Socket

INSTALLATION

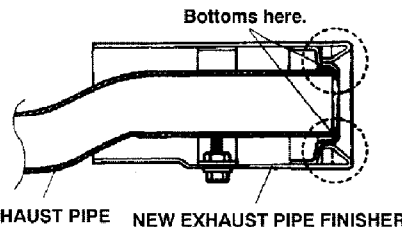
1. Allow the exhaust pipe to cool down before you install the new exhaust pipe finisher.

2. Partially thread the 6 mm bolt into the exhaust pipe finisher.

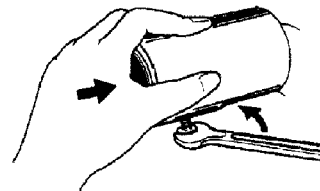


Install with the bolt facing down.

3. With the 6 mm bolt facing down, slide the new exhaust pipe finisher onto the exhaust pipe until it bottoms against the exhaust pipe.



4. While pushing the new exhaust pipe finisher firmly against the exhaust pipe, tighten the 6 mm bolt. Torque the 6 mm bolt to 7 to 12 N·m (5 to 8 lb-ft).



5. Start the engine, and rev it up a few times. Listen for any rattling noise coming from the new exhaust pipe finisher, and adjust as necessary.