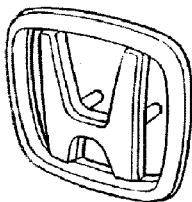


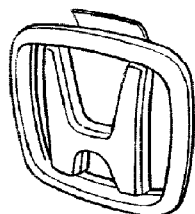
H HONDA INSTALLATION INSTRUCTIONS	Accessory	Application	Publications No.
	GOLD EMBLEM KIT P/N 08F20-S10-100	2000 CR-V	All 20643
			Issue Date
			OCT 1999

PARTS LIST

Front "H" emblem



Rear "H" emblem



TOOLS AND SUPPLIES REQUIRED

Phillips screwdriver
Flat-tip screwdriver
Shop towel
Long-nose pliers
String
Masking tape
Blanket

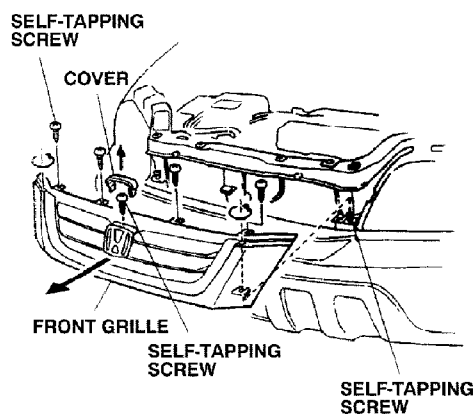
INSTALLATION

NOTE:

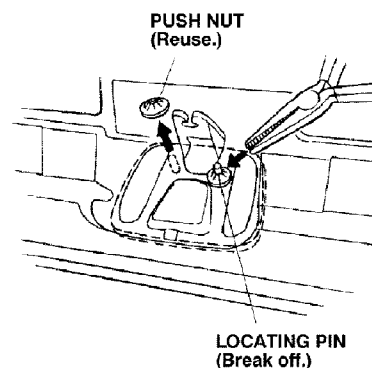
- Be especially careful not to damage the body when removing and installing the emblems.
- This emblem kit should be installed only when the ambient air temperature is 60°F (15°C) or above.
- To allow the adhesive to cure, do not wash the vehicle for 24 hours.

Installing the Front Emblem

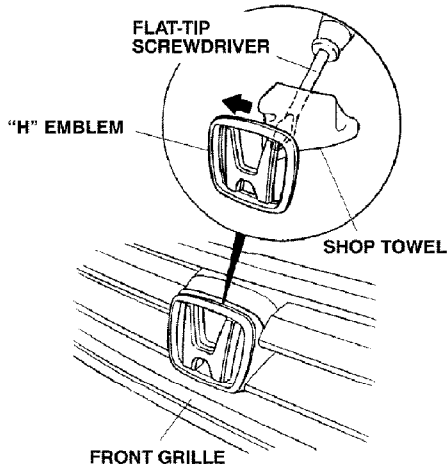
1. Open the hood.
2. Remove the cover from the top center of the front grille, then remove the self-tapping screw concealed under the cover.



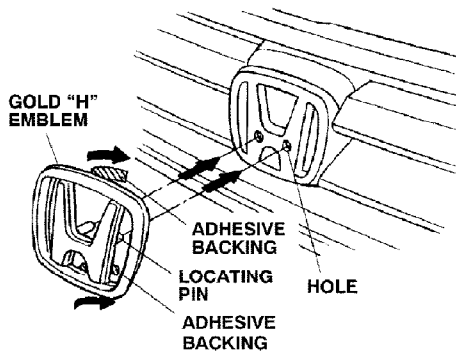
3. Remove the four self-tapping screws securing the top of the front grille.
4. Reach through the hole in the end of the front grille, and loosen the self-tapping screw. Repeat on the other side. Remove the front grille by pulling it out toward you.
5. To prevent damage to the front grille, set it on a blanket during the installation of the emblem kit.
6. Using long-nose pliers, break off the two locating pins on the old "H" emblem, and remove the two push nuts.



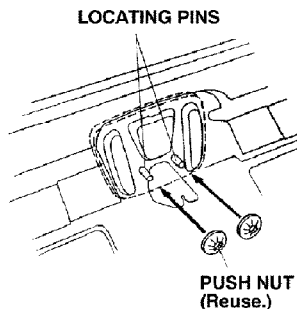
- Using a shop towel around a flat-tip screwdriver, gently pry on the "H" emblem to remove it from the front grille.



- Using isopropyl alcohol, clean the area where the emblem was removed.
- Remove the adhesive backing from the gold "H" emblem, and attach it to the front grille by aligning the locating pins with the holes in the front grille. Press the emblem firmly against the front grille with the palm of your hand.

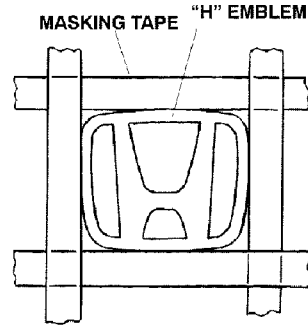


- Attach the emblem with the push nuts removed in step 6.



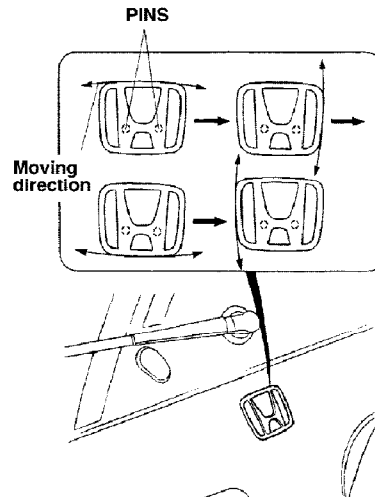
Installing the Rear Emblem

- To prevent damage to the tailgate, apply masking tape along the four edges of the existing emblem.

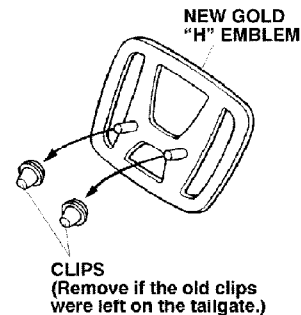


- Using a piece of string, remove the emblem from the tailgate.

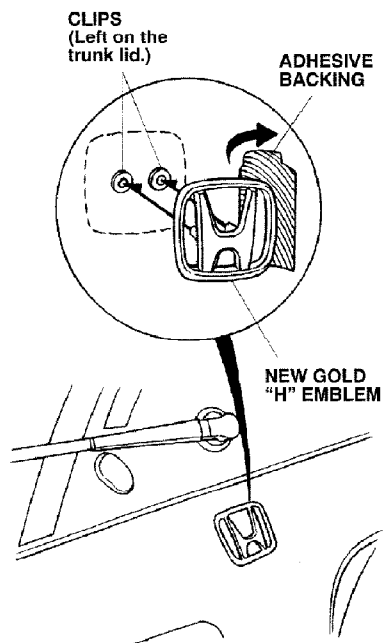
- Move the string in the directions shown to cut the emblem free.



- If any original clip(s) stay in the tailgate when you remove the emblem, make sure you remove and discard the same clip(s) on the new emblem.



- Using isopropyl alcohol, clean the area where the emblem was removed.
- Remove the adhesive backing from the new gold "H" emblem.



- Attach the new gold "H" emblem to the tailgate.

NOTE: After the emblem kit is installed, tell your customer not to wash the vehicle for 24 hours to give the adhesive time to cure.