 <b>HONDA</b> <b>INSTALLATION</b> <b>INSTRUCTIONS</b>	Accessory <b>GOLD "CR-V" EMBLEMS</b> 08F20-S10-100A	Application <b>2000 CR-V</b>	Publications No. <b>All 20642</b>
			Issue Date <b>OCT 1999</b>

## PARTS LIST

"C" emblem



"R" emblem



"-" emblem



"V" emblem



8 Push nuts



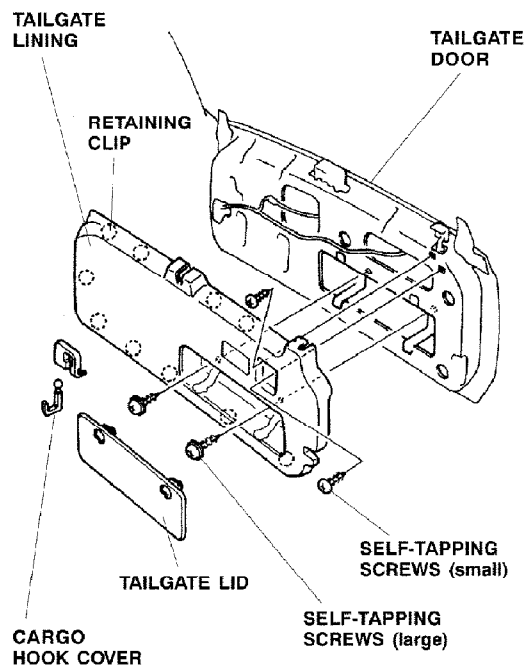
## TOOLS AND SUPPLIES REQUIRED

Phillips screwdriver  
 10 mm Socket  
 Ratchet  
 Shop towel  
 Isopropyl alcohol  
 Diagonal cutters

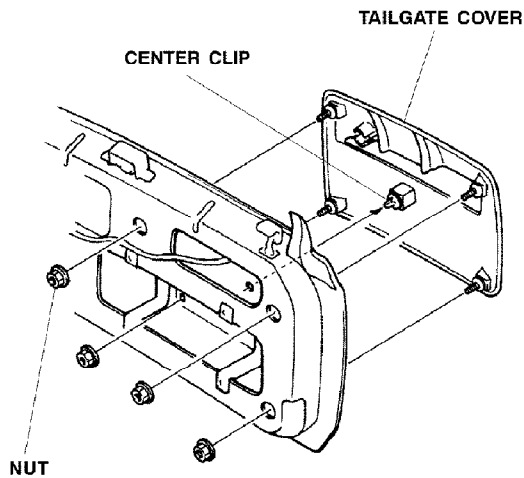
## INSTALLATION

### NOTE:

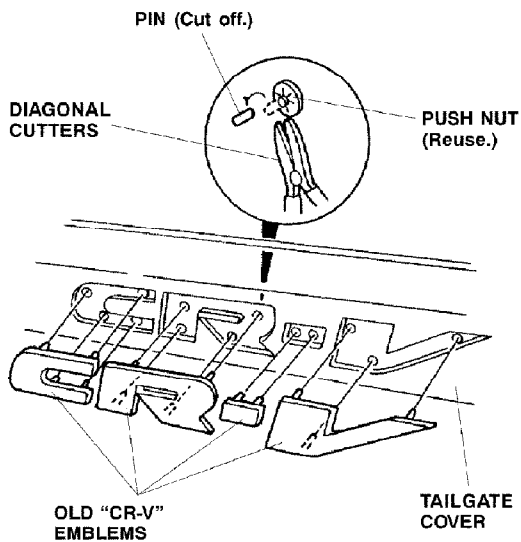
- Be careful not to damage the body finish when removing and installing the emblems.
  - If you damage or break any of the push nuts when removing them, replace the damaged push nuts with ones from this kit.
1. Open the tailgate door, and remove the tailgate lid and cargo hook cover.
  2. Remove the four self-tapping screws fastening the tailgate lining, then pry up on the 10 retaining clips. Remove the lining. Take care not to damage the retaining clips.



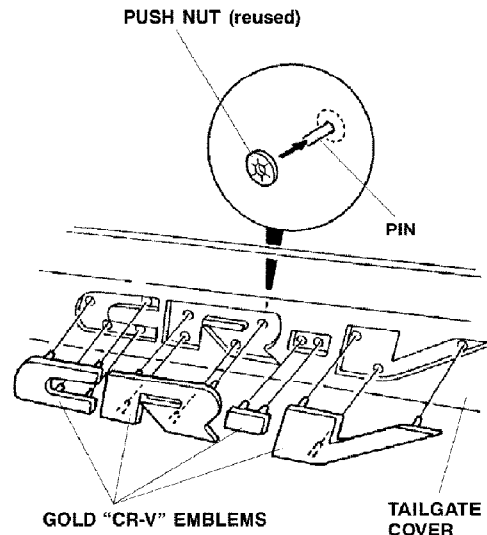
3. Remove the four nuts from the studs of the tailgate cover and remove the cover while pushing on the end of the center clip.



4. On the back of the tailgate cover, cut off the 13 pins extending out from the old rear "CR-V" emblems with a pair of diagonal cutters. Remove the push nuts and the old rear "CR-V" emblems.



5. Using isopropyl alcohol on a clean shop towel, clean the area where each emblem was removed.



6. Install the gold "CR-V" emblems on the tailgate cover, and secure them with the 13 push nuts removed in step 4.
7. Reinstall the tailgate cover and the tailgate lining.