

# HONDA

## INSTALLATION INSTRUCTIONS

Accessory

FRONT SKID PLATE  
P/N 08P46-S10-100

Application

2001 CR-V

Publications No.

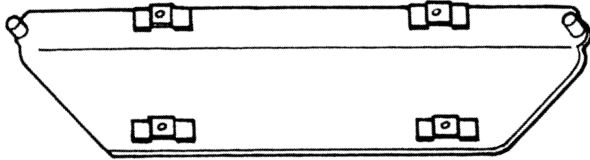
All 21690

Issue Date

OCT 2000

### PARTS LIST

Front skid plate

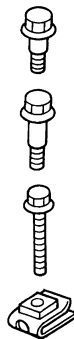


2 Flange bolts

2 Bumper bolts

2 Washer-bolts,  
8 x 70 mm

2 Spring nuts



### TOOLS REQUIRED

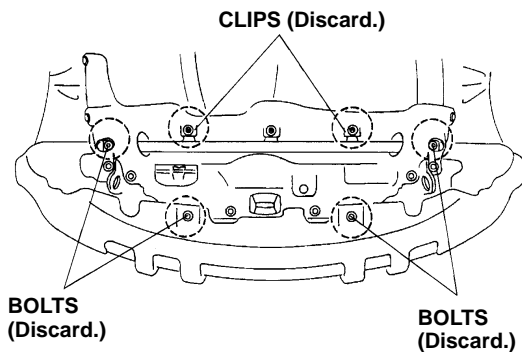
10 mm and 12 mm Sockets

Ratchet

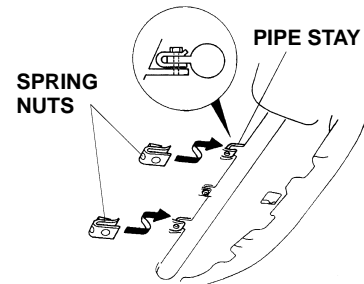
Phillips screwdriver

### INSTALLATION

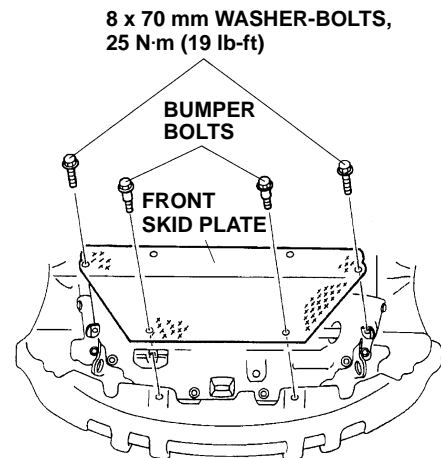
- Under the front of the vehicle, remove the two clips and the four bolts shown.



- Slide a spring nut onto each of the two pipe stays.



- Position the front skid plate on the front bumper and the pipe. Install the two 8 x 70 mm washer-bolts and the two bumper bolts (supplied) where the four bolts were removed in step 1.



- Install the two flange bolts (supplied) into the spring nuts installed in step 2.

