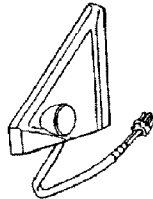


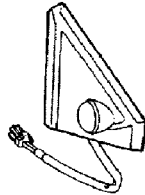
 HONDA INSTALLATION INSTRUCTIONS	Accessory TWEETER KIT P/N 08A54-S10-100	Application 2000 CR-V	Publications No. All 20658
			Issue Date OCT 1999

PARTS LIST

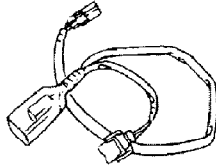
Right tweeter



Left tweeter



2 Tweeter harnesses



10 Wire ties



2 Cushion tapes



TOOLS AND SUPPLIES REQUIRED

Phillips screwdriver

Diagonal cutters

Insulation tape

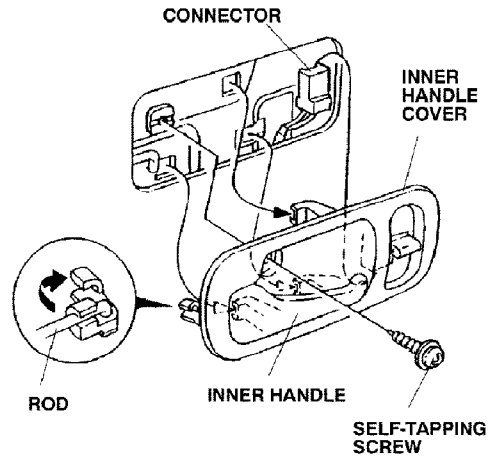
Flat-tip screwdriver

INSTALLATION

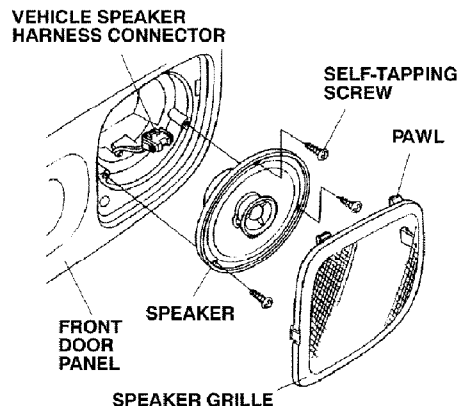
NOTE:

- Be extremely careful not to damage the door panels and other finished surfaces of the body.
- In these instructions, the illustrations show the left (driver's side) tweeter being installed. The same procedure applies to installing the right tweeter.

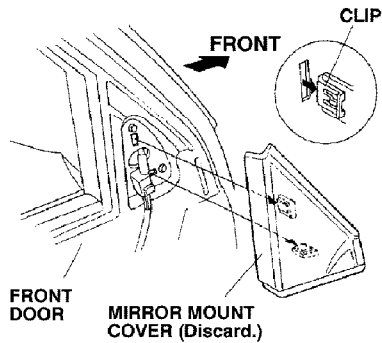
1. Lower both front windows.
2. If equipped, make sure you have the anti-theft code for the radio, then write down the frequencies for the preset buttons.
3. Disconnect the negative cable from the battery.
4. Remove the self-tapping screw fastening the inner handle cover, and move the cover forward.



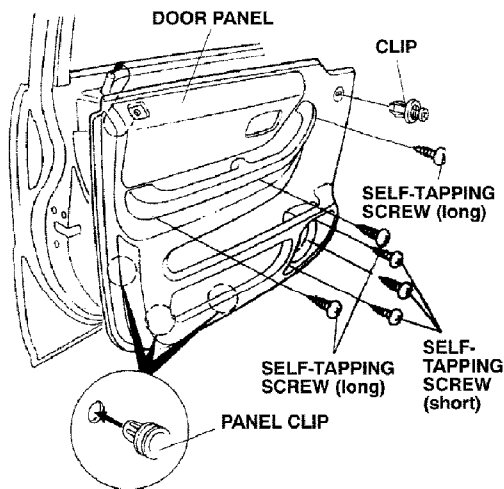
5. While pulling out on the inner handle, remove the handle cover from the panel, and disconnect the rod and connector.
6. Release the four retaining pawls, and remove the speaker grille. Remove the three self-tapping screws, unplug the connector, and remove the speaker.



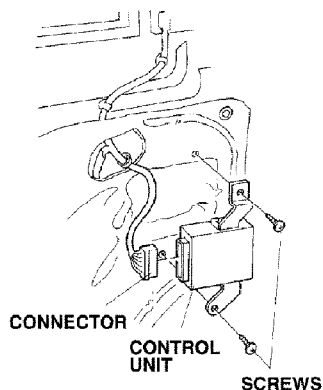
- Remove the mirror mount cover from the front door.



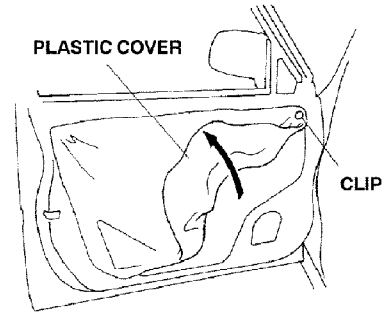
- Remove the one clip and the six self-tapping screws that fasten the door panel to the door.



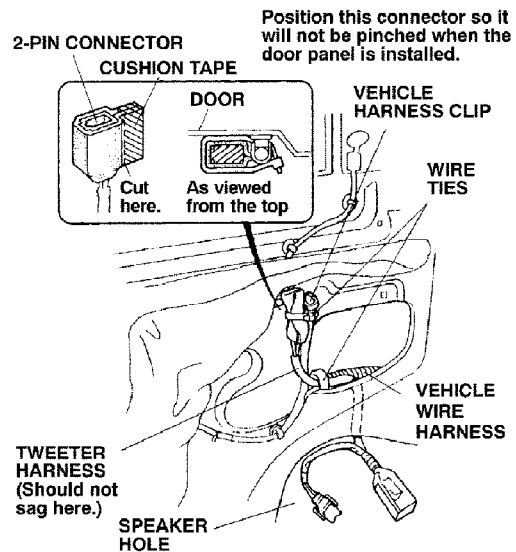
- Pull away the bottom of the door panel to release the three panel clips.
- Remove the door panel by pulling it upward.
- Remove the two screws fastening the control unit. Unplug the connector, and remove the control unit.



- Carefully turn up the plastic cover.

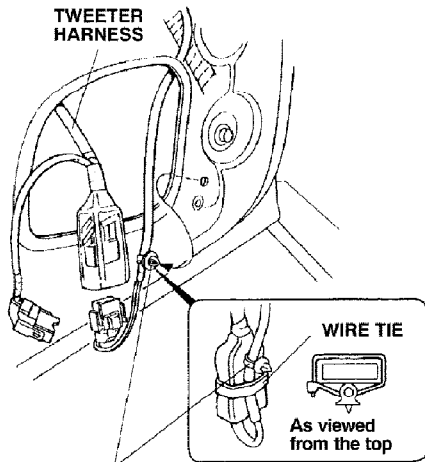


- Wrap one cushion tape around the 2-pin connector of the tweeter harness.



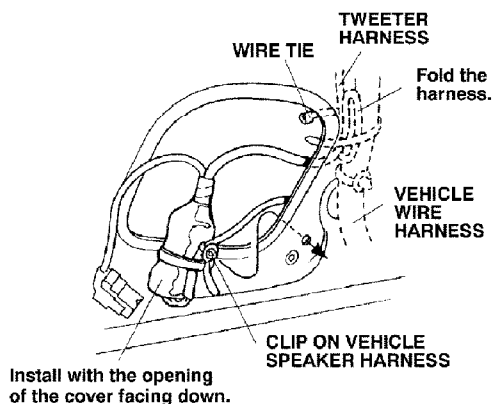
- Secure the 2-pin connector of the tweeter harness to the vehicle wire harness with one wire tie in the area shown.
- Route the tweeter harness through the door and out through the speaker hole. Secure the harness to the vehicle wire harness with one wire tie in the area shown.

16. Release the clip that secures the vehicle speaker harness.

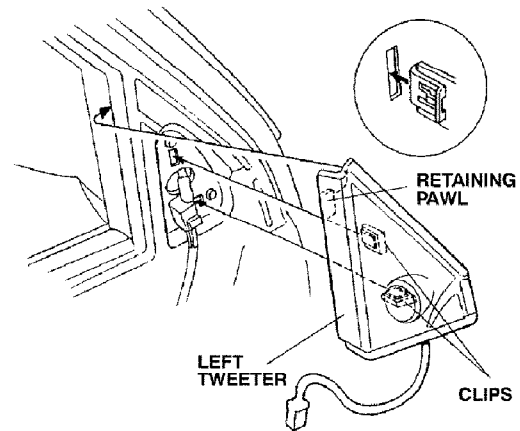


CLIP ON VEHICLE SPEAKER HARNESS

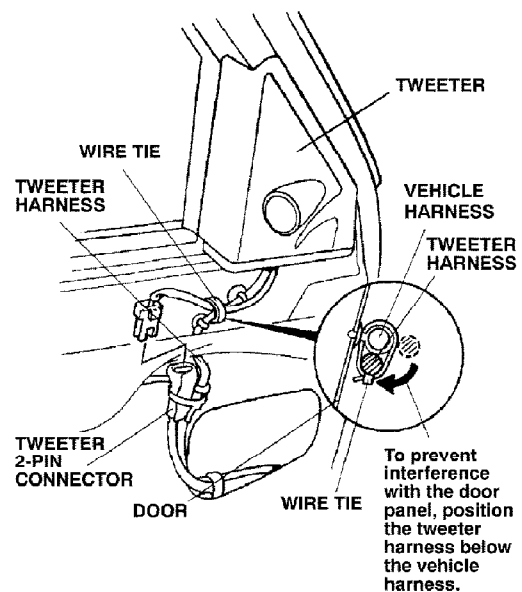
17. Connect the 2-pin connector of the vehicle harness to the 2-pin connector of the tweeter harness, then secure them to the vehicle speaker harness with one wire tie near the clip you just released.
18. Reinstall the vehicle speaker harness clip.
19. Secure the tweeter harness to the vehicle harness with one wire tie in the area shown. Install the wire tie so it does not interfere with the window rail.



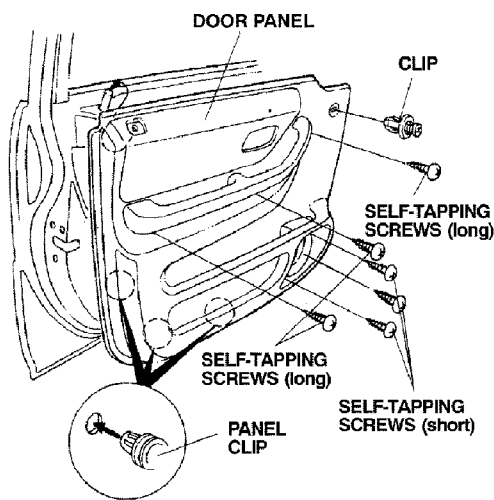
20. Install the tweeter on the door mirror base by inserting its two clips and a retaining pawl into the holes in the door mirror base.



21. Connect the 2-pin connector from the tweeter to the 2-pin connector of the tweeter harness. To prevent interference between the tweeter harness and the door panel, position the tweeter harness below the vehicle harness; then secure the harness to the vehicle harness with one wire tie in the area shown.



22. Reinstall the door panel:
- Take care not to damage the tweeter.
 - Check that the tweeter harness does not get pinched between the door panel and the door.
 - Check that there is clearance between the door panel and the dashboard when the door is closed.
 - Reinstall the three panel clips, the six tapping screws, and the clip.



23. Repeat steps 4 through 22 to install the right tweeter.
24. Reinstall all removed parts.
25. Check that all wire harnesses are routed properly and all connectors are plugged in.
26. Connect the negative cable to the battery.
27. Reset the clock and the radio station presets.