

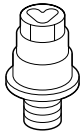


# INSTALLATION INSTRUCTIONS

Accessory	Application	Publications No.
<b>ENGINE BLOCK HEATER P/N 08T44-SVB-100</b>	<b>ELEMENT (SC)</b>	<b>All 33014</b>
		Issue Date
		<b>AUG 2006</b>

## PARTS LIST

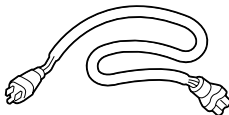
Engine block heater



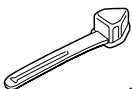
Aluminum washer



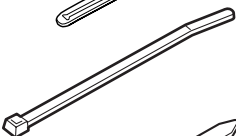
Heater harness



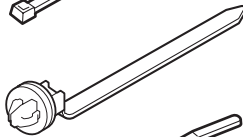
Protective cap



15 Black wire ties  
(2 not used)



3 Wire tie with clips  
(2 not used)



5 White wire ties



## TOOLS AND SUPPLIES REQUIRED

- Ratchet
- 24 mm Socket
- Torque wrench
- Diagonal cutters
- Coolant (Honda Antifreeze/Coolant only, in a 50/50 mixture with water)
- White marker
- Tape measure
- 10 mm Hexagon wrench

## NOTE

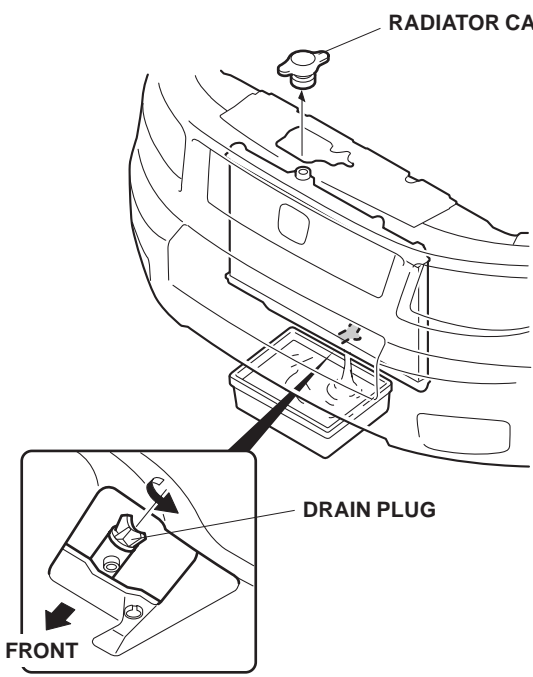
- Always use Honda Antifreeze/Coolant. Using a non-Honda coolant can result in corrosion, causing the cooling system to malfunction or fail.
- To avoid burning out the element, do not operate the engine block heater before it is installed in the vehicle and before you add coolant.

## INSTALLATION

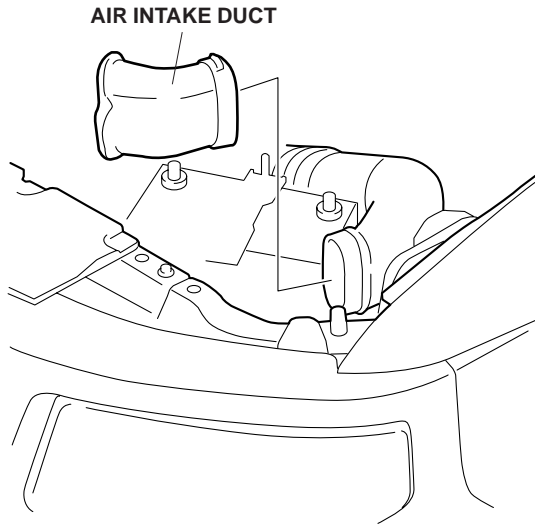
**Customer Information:** The information in this installation instruction is intended for use only by skilled technicians who have the proper tools, equipment, and training to correctly and safely add equipment to your vehicle. These procedures should not be attempted by "do-it-yourselfers."

1. Allow the engine and all cooling system components to cool down.
2. Place a clean drain pan under the radiator drain plug, then remove the drain plug from the bottom of the radiator to drain the coolant. Remove the radiator cap to increase the flow.

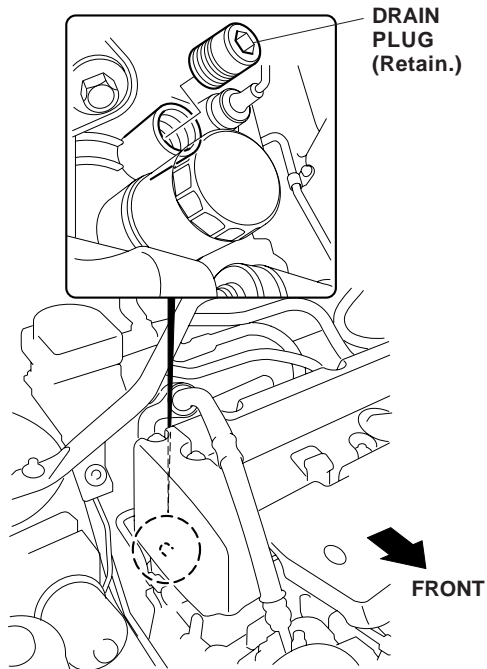
**NOTICE** Radiator coolant will damage paint. Quickly rinse any spilled coolant from painted surfaces.



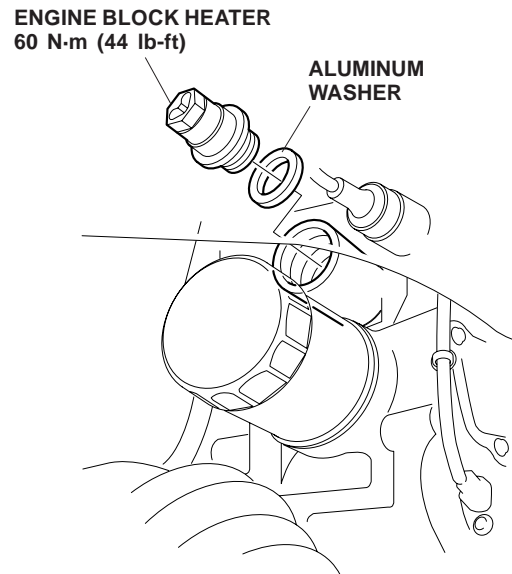
- Remove the air intake duct.



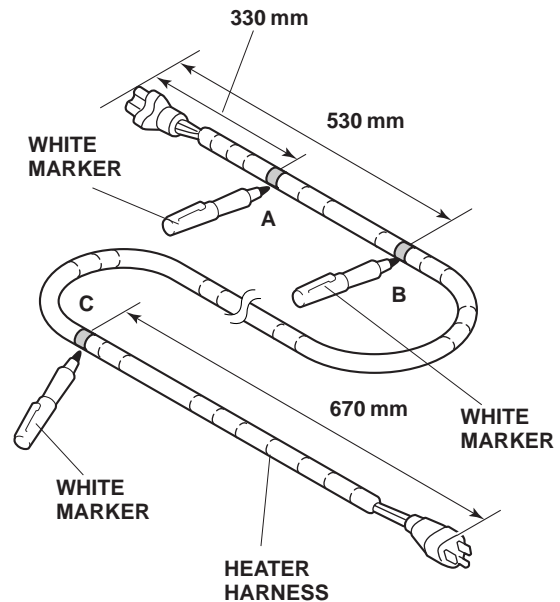
- Remove the drain plug from the rear of the engine block near the oil filter. Coolant remaining in the engine jackets will flow out of the drain plug hole when removed. Retain the drain plug to be used if the engine block heater is removed.



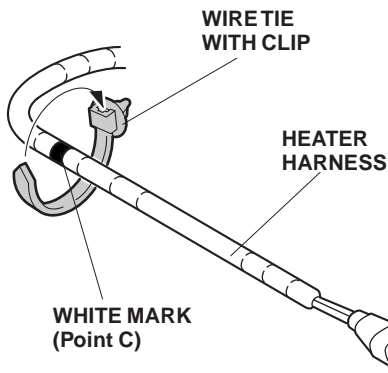
- Install the engine block heater with the aluminum washer into the bolt hole using a 24 mm socket and a torque wrench. Torque the engine block heater to 60 N·m (44 lb-ft).



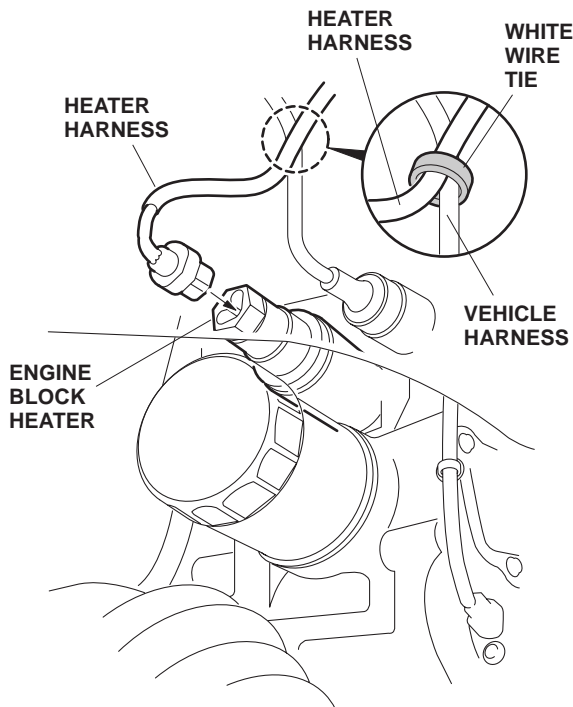
- Using a tape measure, measure the heater harness and mark it at the A, B and C point shown.



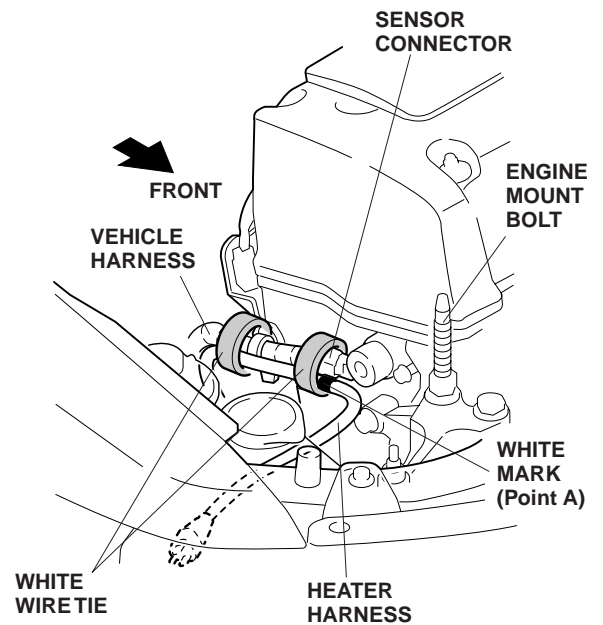
7. **Without the Fog Lights:** Install one wire tie with clip on the heater harness in the area shown.



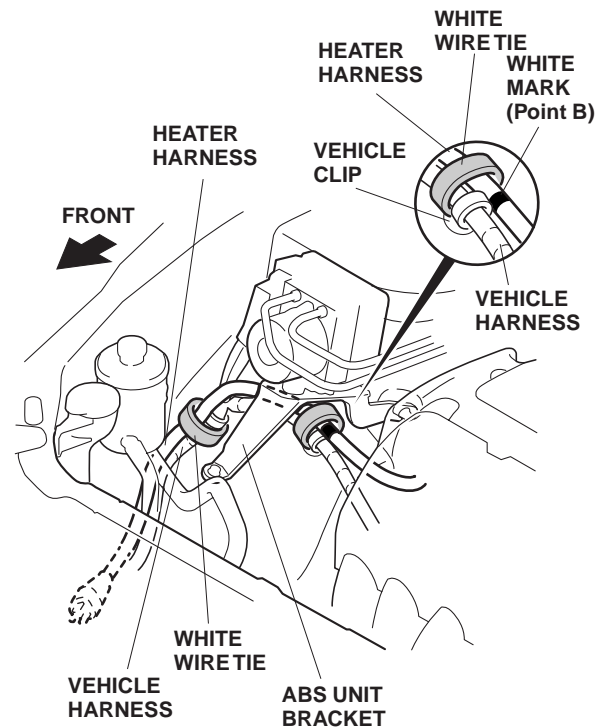
8. Plug the connector of the heater harness into the engine block heater, and route the heater harness over the engine. Secure the heater harness to the vehicle harness with one white wire tie in the area shown.



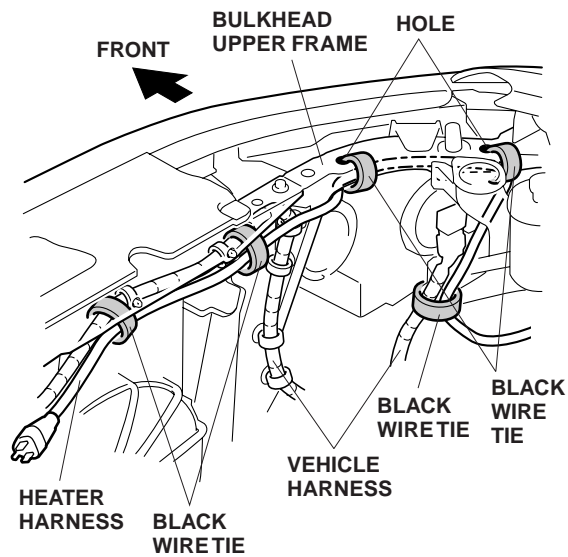
9. Route the heater harness alongside the vehicle harness, and secure the heater harness to the sensor connector and the vehicle harness with two white wire ties in the areas shown.



10. Continue routing the heater harness under the ABS unit bracket along the vehicle harness, and secure the heater harness to the vehicle harness with two white wire ties in the areas shown.

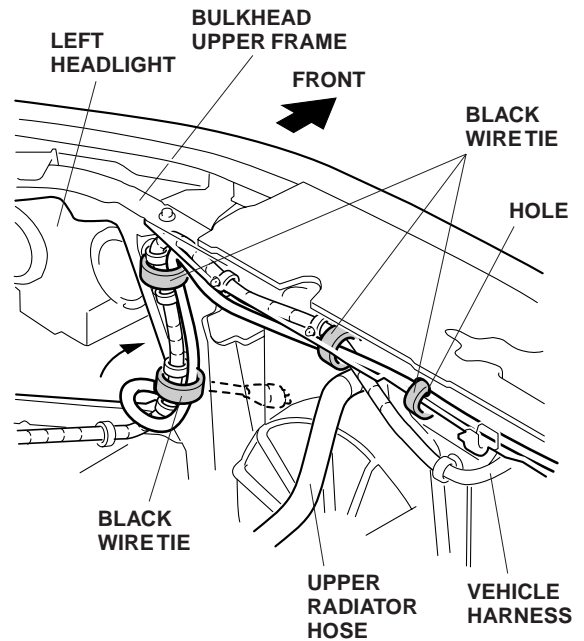


- Route the heater harness to the back of the right headlight along the vehicle harness, then secure the harness with one black wire tie in the area shown.



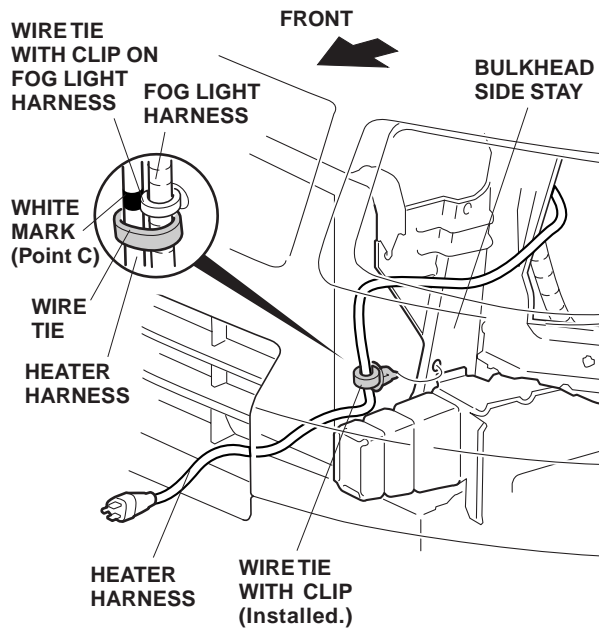
- Route the heater harness along the vehicle harness behind the bulkhead upper frame. Secure the heater harness with two black wire ties through the holes as shown.
- Secure the heater harness to the vehicle harness with two wire ties.

- Route the heater harness along the vehicle harness from underneath the left headlight to the front of the vehicle, and secure the heater harness with one black wire tie through the hole as shown.



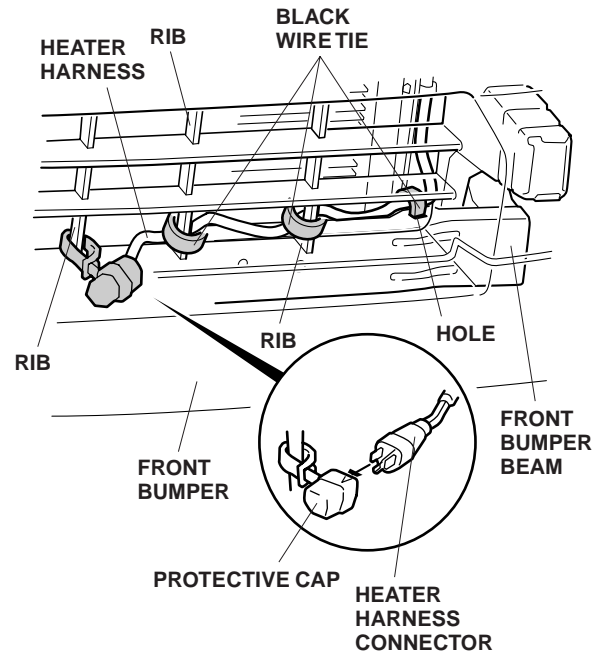
- Secure the heater harness to the vehicle harness with three black wire ties. At the upper radiator hose area, secure the heater harness next to the existing vehicle wire tie.

16. Route the heater harness out through the front bumper grille. Secure the wire tie with clip (installed on the heater harness) to the bulkhead side stay.
  - If you are also installing fog lights, secure the heater harness and fog light harness to the bulkhead side stay and front bulkhead with two wire ties on the heater harness and two wire ties with clip on the fog light harness.



17. Secure the heater harness to the hole in the front side frame with the black wire tie.

18. Attach the protective cap to the bumper rib, then plug the heater harness connector into the cap.



19. Secure the heater harness with one black wire tie through the hole as shown.
20. Secure the heater harness to the ribs with two black wire ties as shown.
21. Reinstall the radiator drain plug, the radiator mount bracket, and the radiator cover.
22. Fill the system with the recommended coolant. Follow the instructions described in the service manual.
23. Check the coolant reservoir for the correct level and signs of leakage. Repair as necessary.
24. Check that the heater harness is routed properly and all connectors are plugged in.
25. Put the drain plug (removed in step 4) in the glove box.