



INSTALLATION INSTRUCTIONS

Accessory	Application	Publications No.
UNDER TRIM P/N 08F01-SCV-100	ELEMENT (SC)	All 33356
		Issue Date
		AUG 2006

PARTS LIST

Left front under trim



Right front under trim



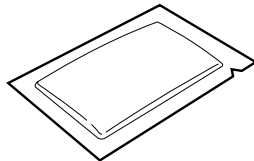
Left rear under trim



Right rear under trim



4 Alcohol pads



TOOLS AND SUPPLIES REQUIRED

Masking tape

Measure

INSTALLATION

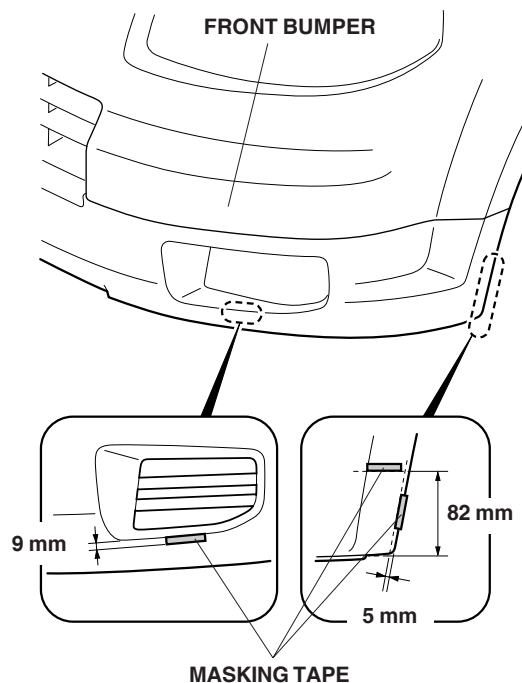
Customer Information: The information in this installation instruction is intended for use only by skilled technicians who have the proper tools, equipment, and training to correctly and safely add equipment to your vehicle. These procedures should not be attempted by “do-it-yourselfers.”

NOTE:

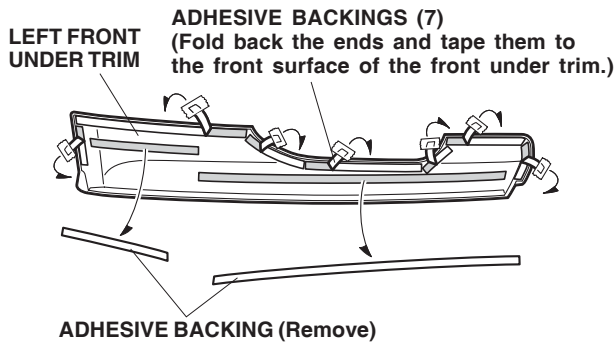
- These instructions show the left front and rear under trim being installed; the same procedure applies to installing of the right front and rear under trim.
- Be careful not to damage the front and rear bumper and body paint finish.
- This under trim kit should be installed only if the ambient air temperature is 60°F (15°C) or above.
- To allow the adhesive to “cure”, do not wash the vehicle for 24 hours.

Installing the Front Under Trim

1. Measure and mark the front bumper, and attach masking tape in the area shown.

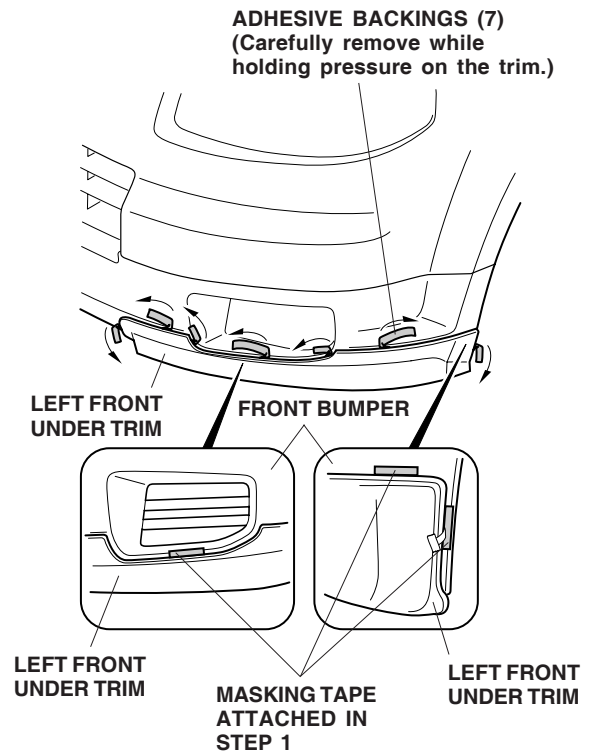


- Attach a strip of masking tape to the end of each adhesive backing, and remove 20 mm to 30 mm (1 to 1.5 in) of the adhesive backing. Fold the ends back, and tape them to the front surface of the front under trim.



- Remove the two center adhesive backings from the front under trim.

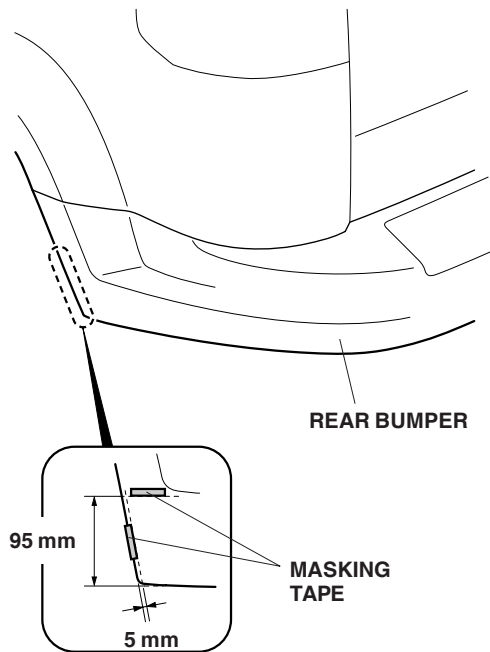
- Using an alcohol pad, clean the front bumper areas where the adhesive tapes will attach.



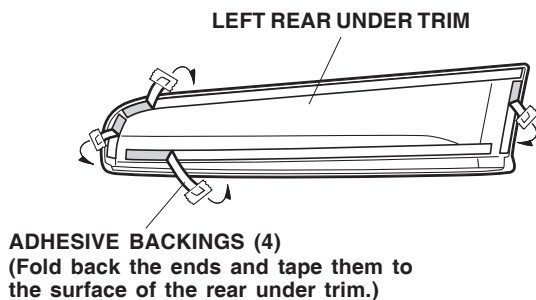
- Align the left front under trim with the masking tape you attached in step 1. While holding light pressure on the trim, carefully remove the adhesive backings. Hold the trim firmly against the front bumper with the palm of your hand for 30 seconds, particularly at the edges.
- Repeat steps 1 through 5 to install the front under trim on the right side of the vehicle.

Installing the Rear Under Trim

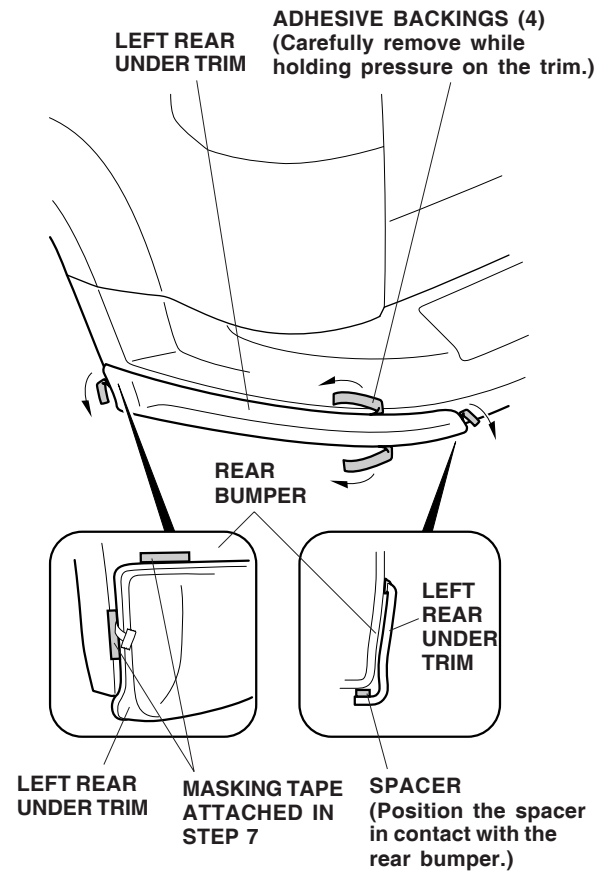
7. Measure and mark the rear bumper, and attach masking tape in the area shown.



8. Attach a strip of masking tape to the end of each adhesive backing, and remove 20 mm to 30 mm (1 to 1.5 in) of the adhesive backing. Fold the ends back, and tape them to the surface of the rear under trim.



9. Using an alcohol pad, clean the rear bumper areas where the adhesive tapes will attach.



10. While positioning the spacer on the rear end of the left rear under trim in contact with the rear bumper, align the front end of the left rear under trim with the masking tapes you attached in step 7. While holding light pressure on the trim, carefully remove the adhesive backings. Hold the trim firmly against the rear bumper with the palm of your hand for 30 seconds, particularly at the edges.
11. Repeat steps 7 through 10 to install the rear under trim on the right side of the vehicle.