

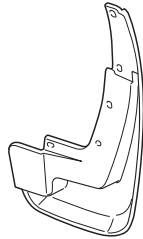


# INSTALLATION INSTRUCTIONS

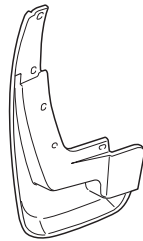
Accessory	Application	Publications No.
<b>SPLASH GUARDS P/N 08P00-SCV-100B</b>	<b>ELEMENT SC</b>	<b>All 33015</b>
		Issue Date <b>AUG 2006</b>

## PARTS LIST

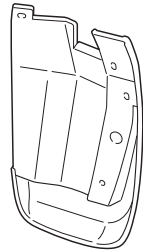
Left front splash guard



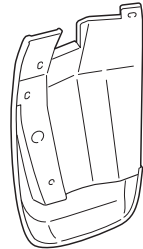
Right front splash guard



Left rear splash guard



Right rear splash guard



8 Self-tapping screws



4 Clip nuts



2 Screw grommets



2 Clips



## TOOLS REQUIRED

Stubby Phillips screwdriver

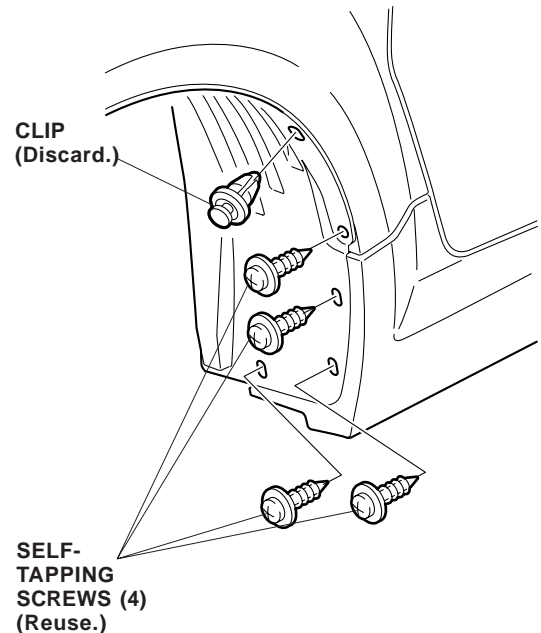
Phillips screwdriver

## INSTALLATION

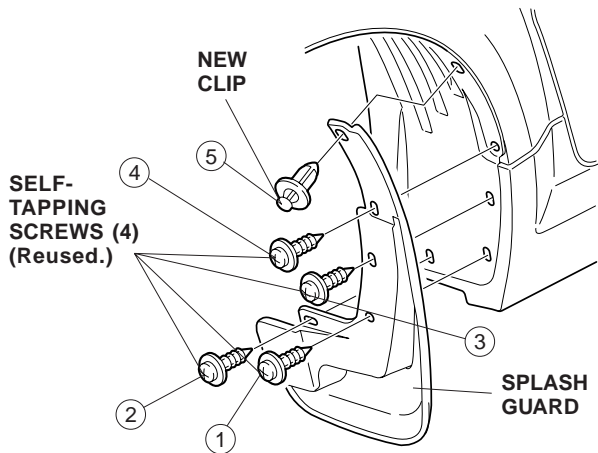
**NOTE:** These installation instructions show the left splash guards being installed. The same procedure applies to installing the right splash guards.

### Installing The Front Splash guards

1. Make sure the area to be covered is clean and has been waxed with a high-quality paste wax.
2. Turn the steering wheel all the way counterclockwise.
3. Remove and retain the four self-tapping screws and one clip that fasten the left front inner fender to the front fender and fenderwell.



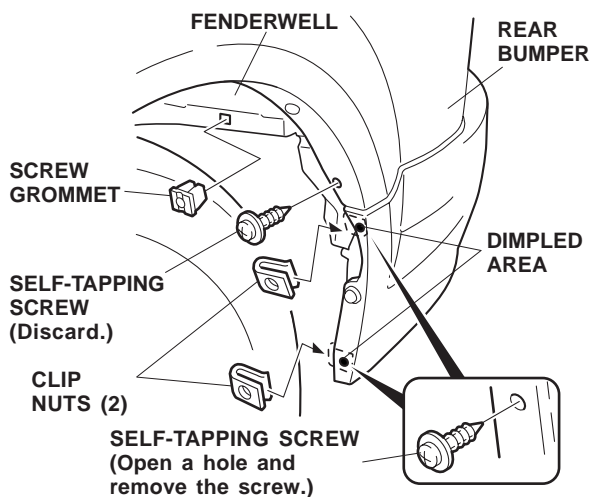
- Position the left front splash guard on the left front inner fender with the bottom portion over the inner fender. Loosely install the four self-tapping screws you removed. While holding the splash guard against the fender, tighten the self-tapping screws in the order shown.



- Install the new clip.
- Turn the steering wheel all the way clockwise, and repeat steps 3 and 5 to install the right front splash guard.

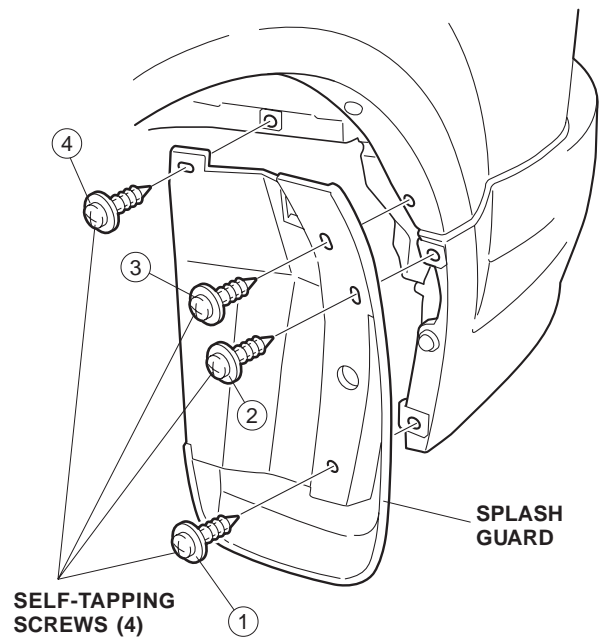
### Installing The Rear Splash Guards

- Remove the self-tapping screws that fasten the rear bumper.



- Using a self-tapping screw, make a hole at the two dimpled areas on the rear bumper, remove the screw, and install two clip nuts over the holes.
- Press one screw grommet into the hole in the fenderwell.

- Position the left rear splash guard on the fender and bumper, and loosely install four of the self-tapping screws provided. While holding the splash guard against the rear bumper, tighten the self-tapping screws in the order shown.



- Repeat steps 7 and 10 to install the right rear splash guard.