

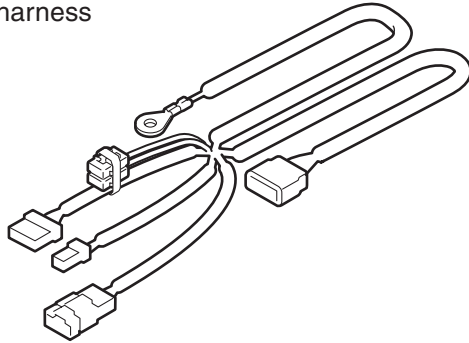


# INSTALLATION INSTRUCTIONS

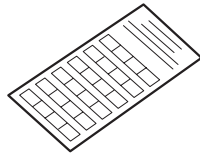
Accessory	Application	Publications No.
<b>KEYLESS ENTRY SYSTEM P/N 08E60-SLN-100</b>	<b>FIT</b>	<b>All 31719</b>
		Issue Date
		<b>MAR 2006</b>

## PARTS LIST

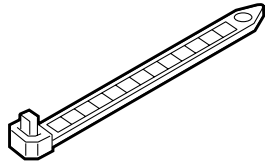
Keyless entry harness



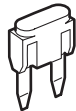
Fuse label A



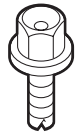
5 Wire ties



Fuse (20A)



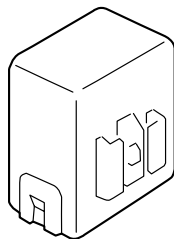
Ground bolt



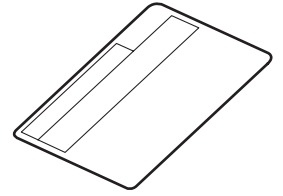
2 Remote controls



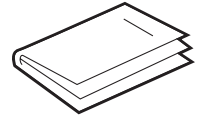
Keyless unit



Fuse label B



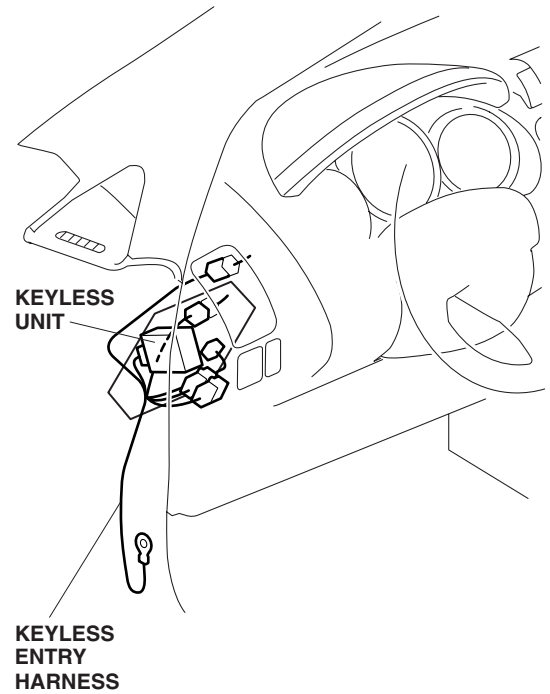
User's information



## TOOLS AND SUPPLIES REQUIRED

- 8 mm and 10 mm Combination wrenches
- Ratchet
- 10 mm Socket
- Isopropyl alcohol
- Shop towel

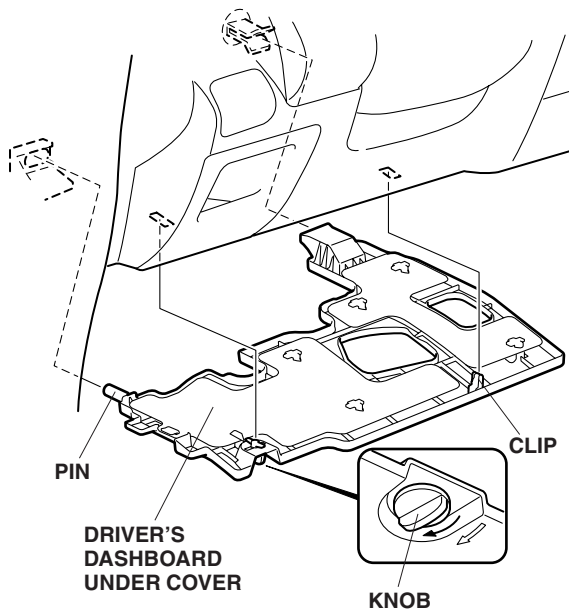
## Illustration of Keyless Entry System Installed on the Vehicle



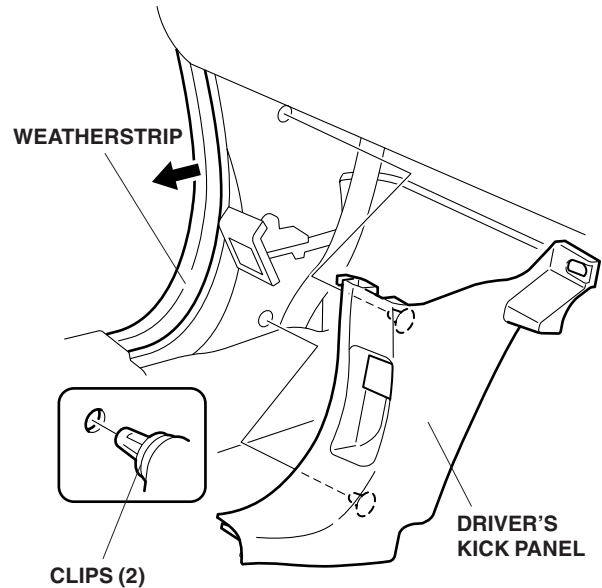
## INSTALLATION

**Customer Information:** The information in this installation instruction is intended for use only by skilled technicians who have the proper tools, equipment, and training to correctly and safely add equipment to your vehicle. These procedures should not be attempted by “do-it-yourselfers.”

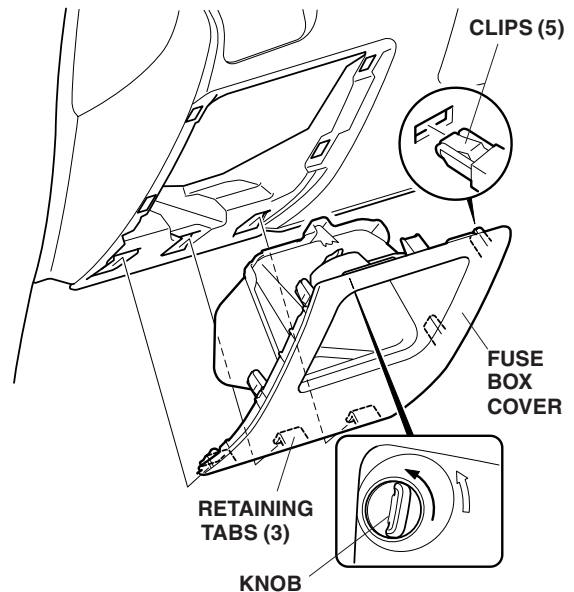
1. Make sure you have the anti-theft code for the radio, then write down the frequencies for the preset buttons.
2. Disconnect the negative cable from the battery.
3. Remove the driver's dashboard under cover:
  - Turn the knob clockwise.
  - Release the clip and one pin.



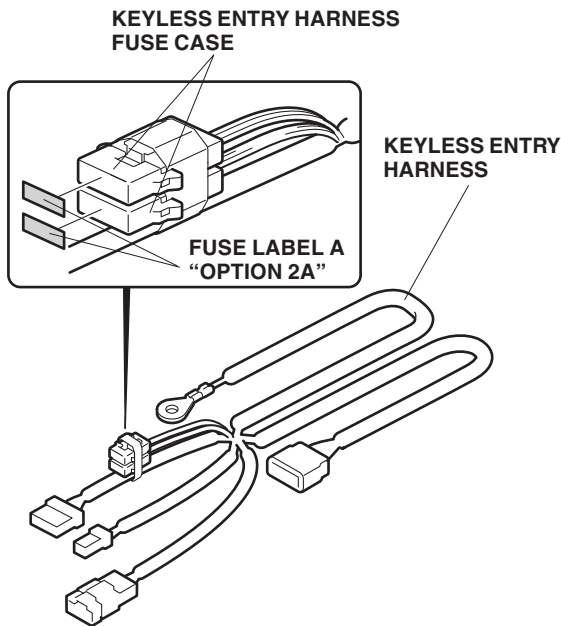
4. Pull away the weatherstrip from around the driver's kick panel. Remove the kick panel (two clips).



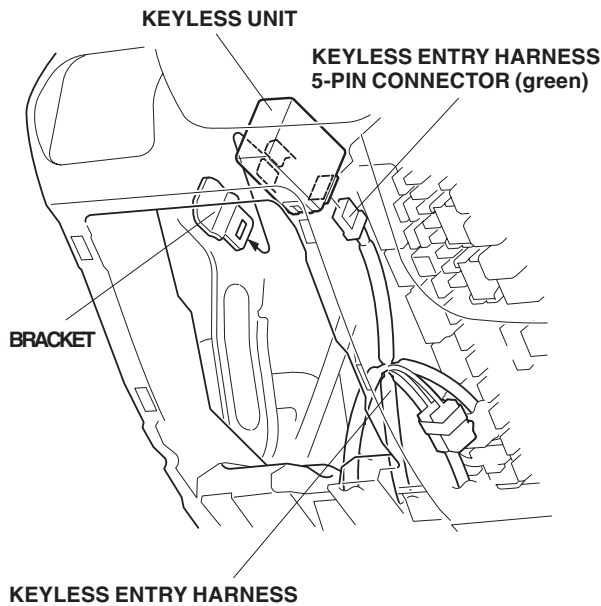
5. Remove the fuse box cover:
  - Turn the knob counterclockwise.
  - Release the five clips and three retaining tabs.



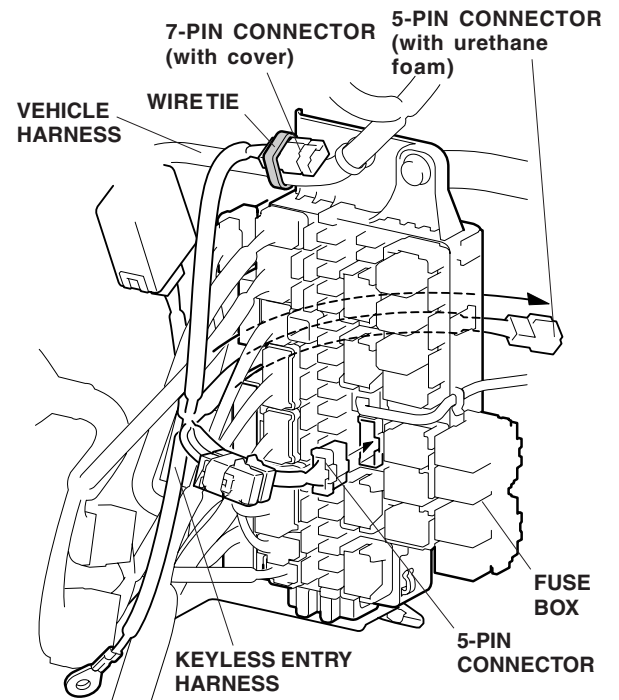
- Attach one "OPTION 2A" of the fuse label A to each keyless entry harness fuse case.



- Plug the keyless entry harness 5-pin connector into the keyless unit, then slide the keyless unit onto the bracket on the instrument panel bracket.



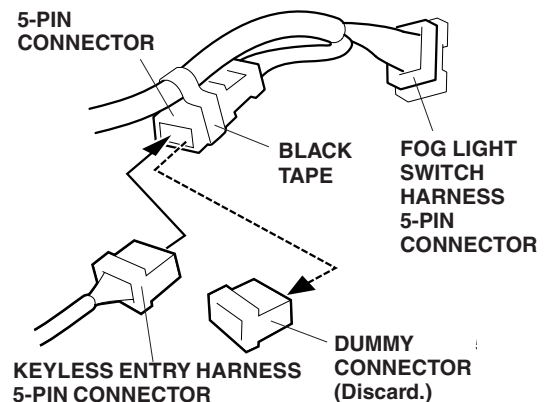
- Plug the keyless entry harness 5-pin connector into the fuse box slot as shown.



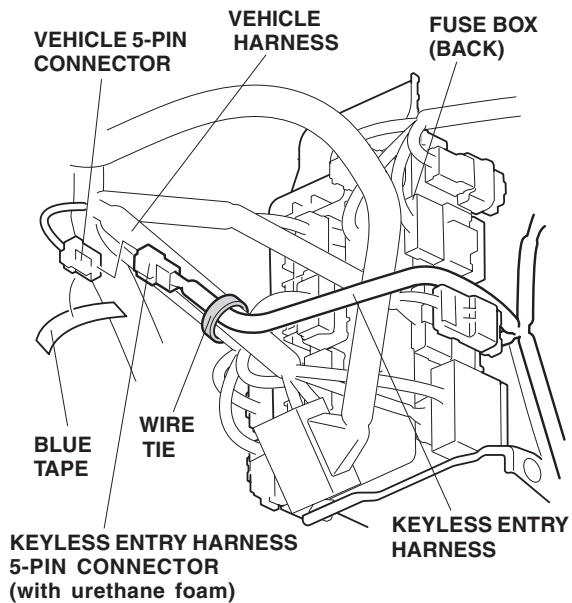
- Secure the keyless entry harness 7-pin connector with cover to the vehicle harness using one wire tie.
- Route the keyless entry harness 5-pin connector wrapped with urethane foam to the back of the fuse box.

**NOTE:** If the fuse box 5-pin connector is already used by fog light switch harness:

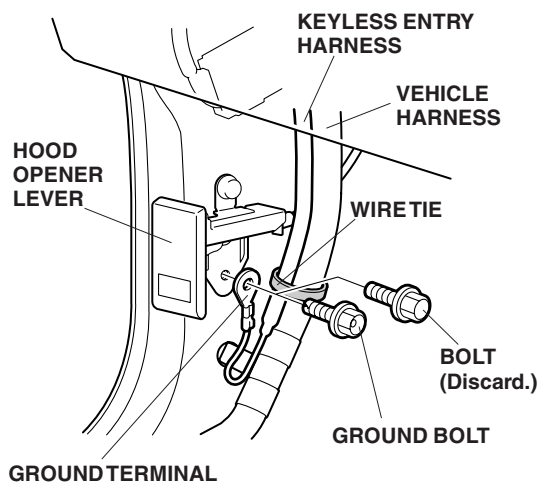
Locate the 5-pin connector black-taped to the fog light switch harness, and remove the dummy connector from the 5-pin connector. Plug the keyless entry harness 5-pin connector into the fog light switch harness 5-pin connector (black-taped).



11. Behind the fuse box, remove the blue tape that secures the vehicle 5-pin connector.

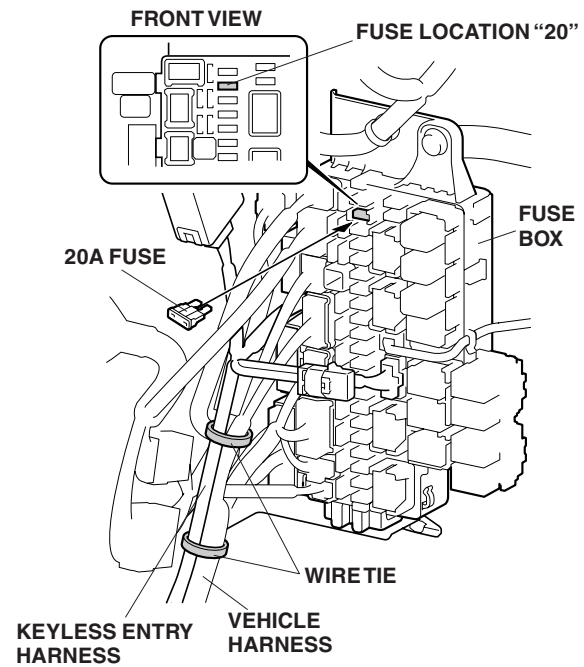


12. Plug the vehicle 5-pin connector into the keyless entry harness 5-pin connector, then secure the keyless entry harness to the vehicle harness with one wire tie.
13. Remove and discard the bolt from the bottom of the hood opener lever. Using the ground bolt from the kit, secure the keyless entry harness ground terminal as shown.

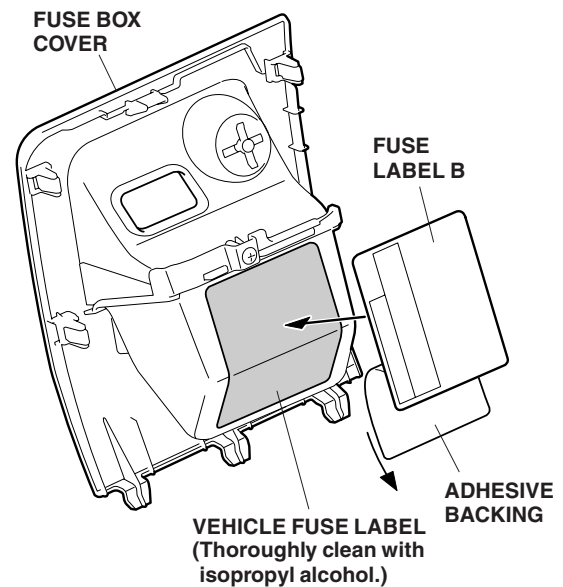


14. Secure the keyless entry harness to the vehicle harness using one wire tie.

15. Install the 20A fuse into the number 20 slot in the fuse box.



16. Secure the keyless entry harness to the vehicle harness with two wire ties.
17. Using isopropyl alcohol on a shop towel, thoroughly clean the vehicle fuse label on the back of the fuse box cover.



18. Remove the adhesive backing from the fuse label B, and then attach the fuse label B over the existing vehicle fuse label as shown.

19. Check that all wire harnesses and cables are routed properly and all connectors are plugged in.
20. Reinstall all removed parts.
21. Reconnect the negative cable to the battery.
22. Enter the customer's radio anti-theft code, if applicable, and reset the radio station presets.
23. Set the clock.
24. Check operation of the keyless entry according to the User's Information.

NOTE: When the battery is disconnected, the driver's window AUTO function is disabled.

- Start the engine. Push down on the driver's window switch until the window is fully open.
- Pull up on the driver's window switch to close the window completely, then hold the switch for 2 seconds or more.
- Lower and raise the driver's window to check operation of the driver's window AUTO function.