



# INSTALLATION INSTRUCTIONS

Accessory  
**SECURITY SYSTEM**  
**P/N 08E50-SLN-100**

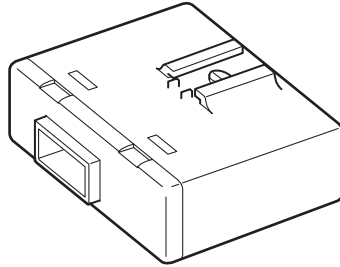
Application  
**FIT**

Publications No.  
**All 31725**  
 Issue Date  
**MAR 2006**

**NOTE:**  
 This security system works only when the vehicle is equipped with the keyless entry system.

## PARTS LIST

Security unit



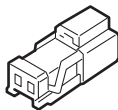
LED harness



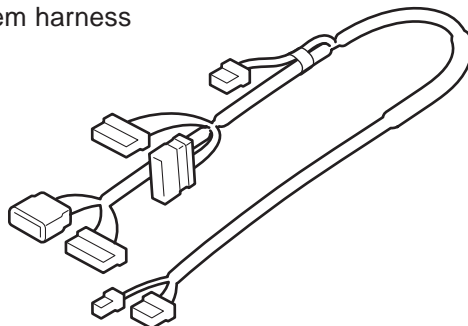
Push nut



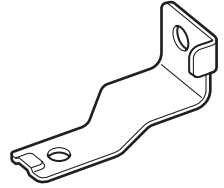
2-pin connector



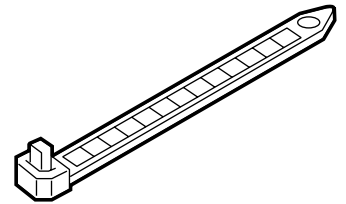
Security system harness



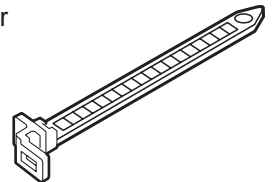
Unit bracket



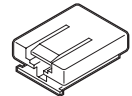
9 Wire ties



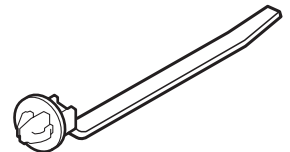
Wire tie with connector holder



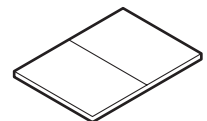
Holder bracket



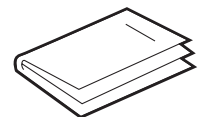
Clip band



Window decal



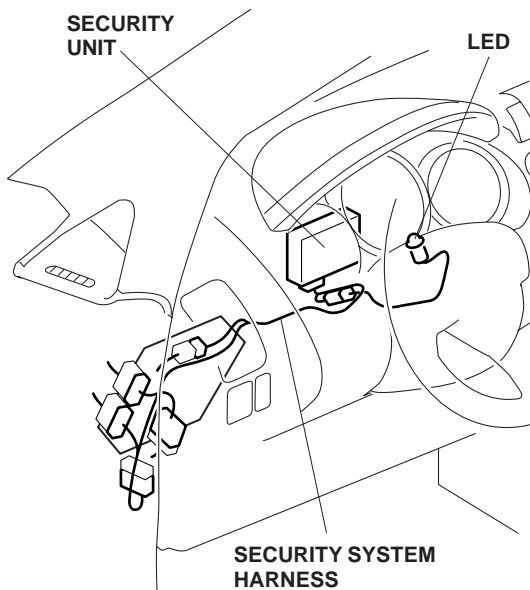
User's information



## TOOLS AND SUPPLIES REQUIRED

Phillips screwdriver  
Flat-tip screwdriver  
8 mm and 10 mm Combination wrenches  
Ratchet  
10 mm Socket  
Pushpin  
File  
Drill  
3 mm and 5.5 mm Drill bits  
Tape measure  
Eye protection (face shield, safety goggles, etc.)

## Illustration of Security System Installed on the Vehicle

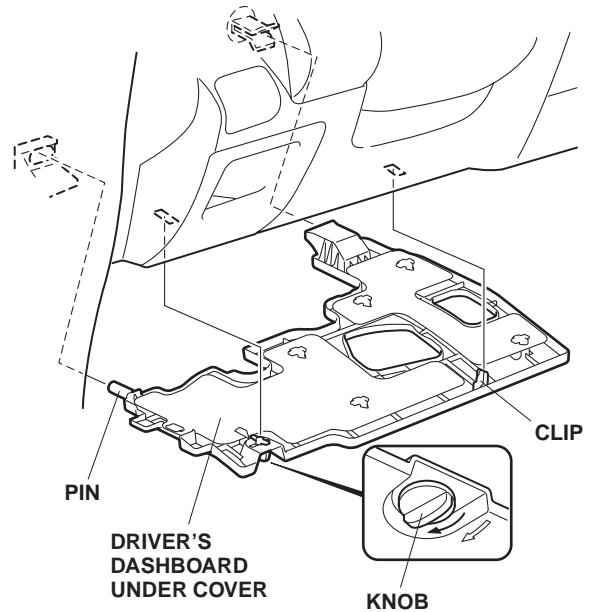


## INSTALLATION

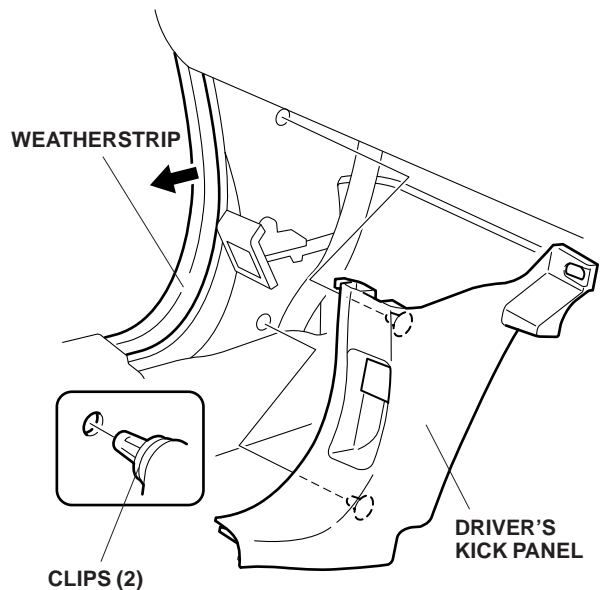
**Customer Information:** The information in this installation instruction is intended for use only by skilled technicians who have the proper tools, equipment, and training to correctly and safely add equipment to your vehicle. These procedures should not be attempted by "do-it-yourselfers."

1. Make sure you have the anti-theft code for the radio, then write down the frequencies for the preset buttons.
2. Disconnect the negative cable from the battery.

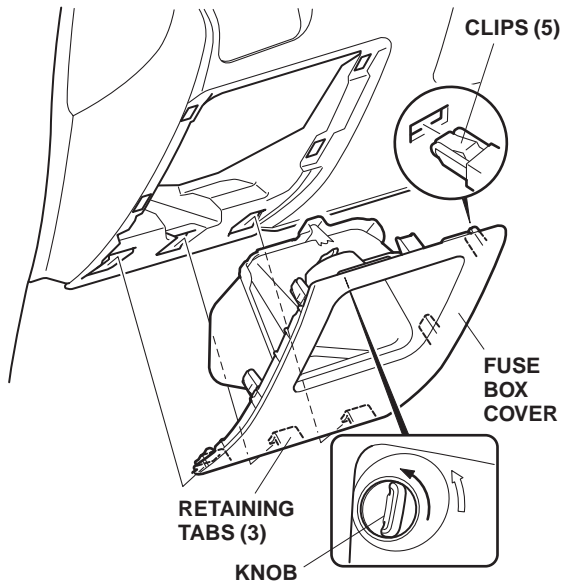
3. Remove the driver's dashboard under cover:
  - Turn the knob clockwise.
  - Release the clip and one pin.



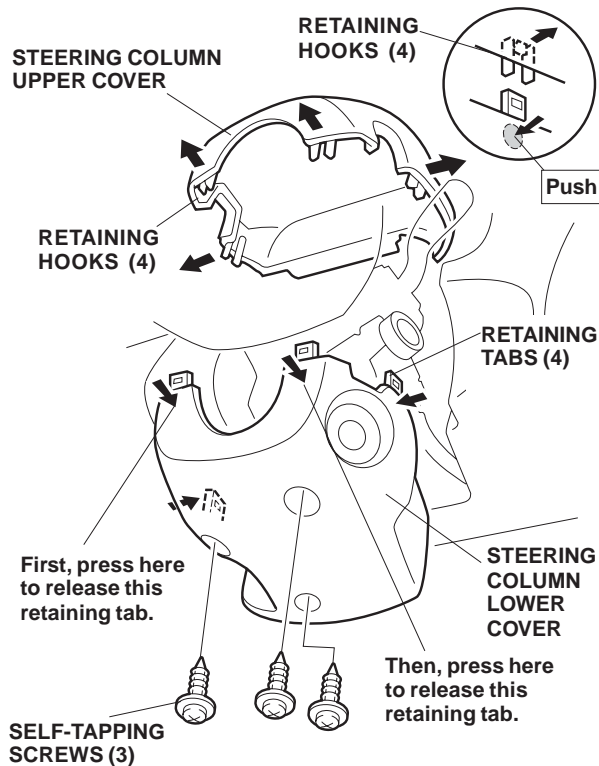
4. Pull away the weatherstrip from around the driver's kick panel. Remove the kick panel (two clips).



5. Remove the fuse box cover:
  - Turn the knob counterclockwise.
  - Release the five clips and three retaining tabs.

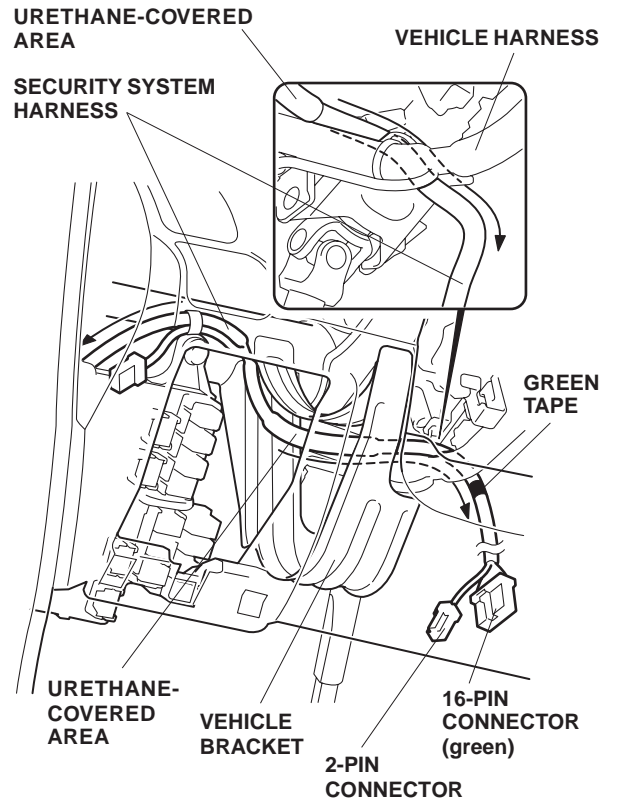


6. Remove the steering column lower and upper covers:
  - Remove three self-tapping screws.
  - Release the four retaining tabs from the retaining hooks.

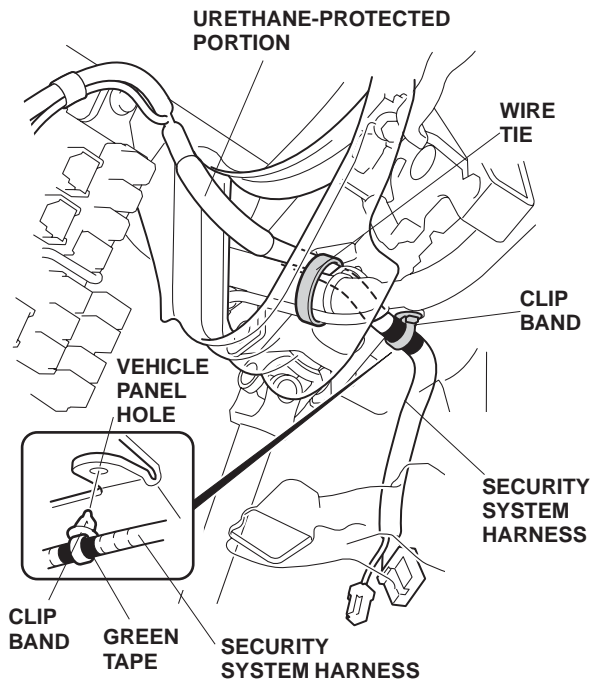


## Routing the Security Harness

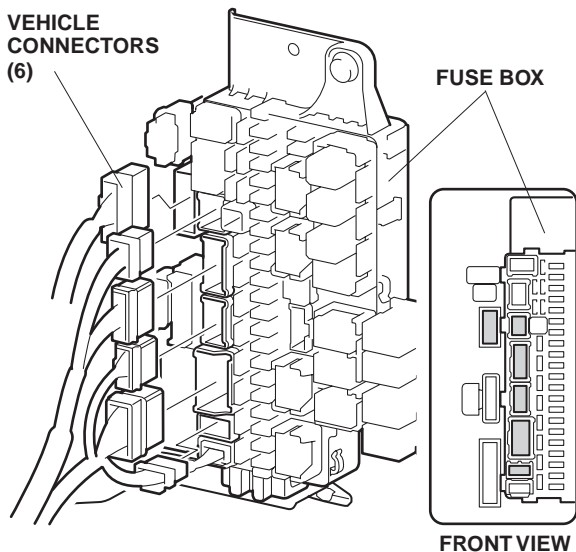
7. Route the security harness over the vehicle bracket as shown. Position the urethane-covered area of the security harness at the vehicle bracket.



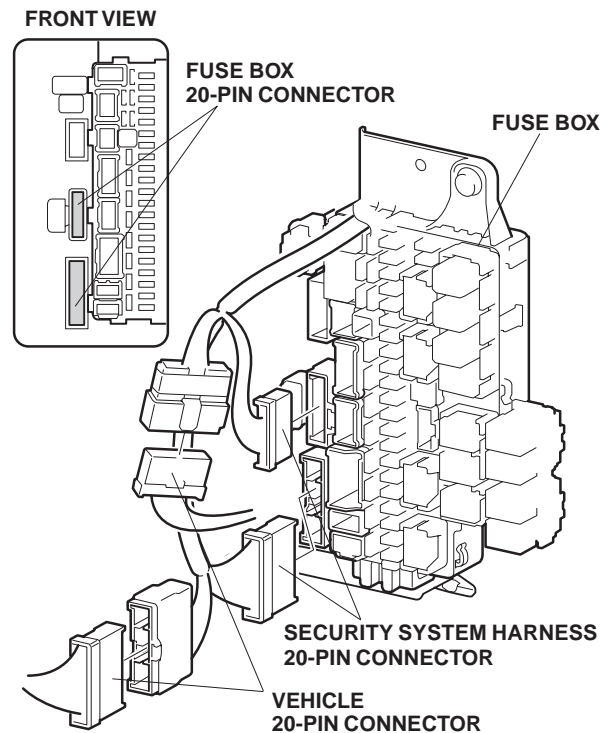
- Attach the clip band in the kit to the security system harness at the green tape, then push the clip into the vehicle panel hole.



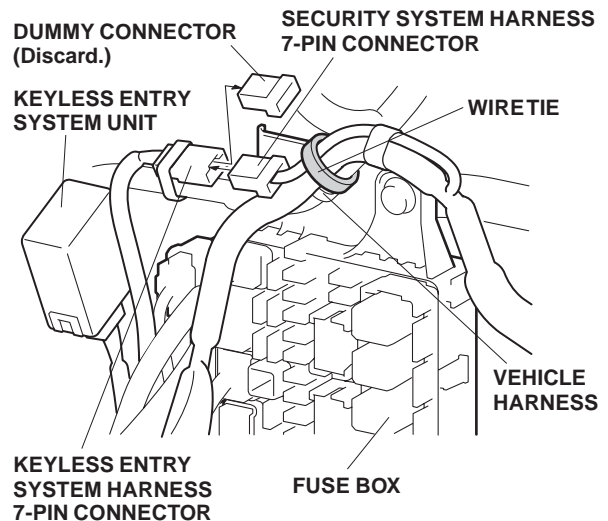
- Secure the security system harness to the vehicle harness using a wire tie at the location shown.
- On the left side of the fuse box, unplug the six vehicle connectors shown.



- Plug the security system harness 20-pin connectors in between the fuse box 20-pin connectors.

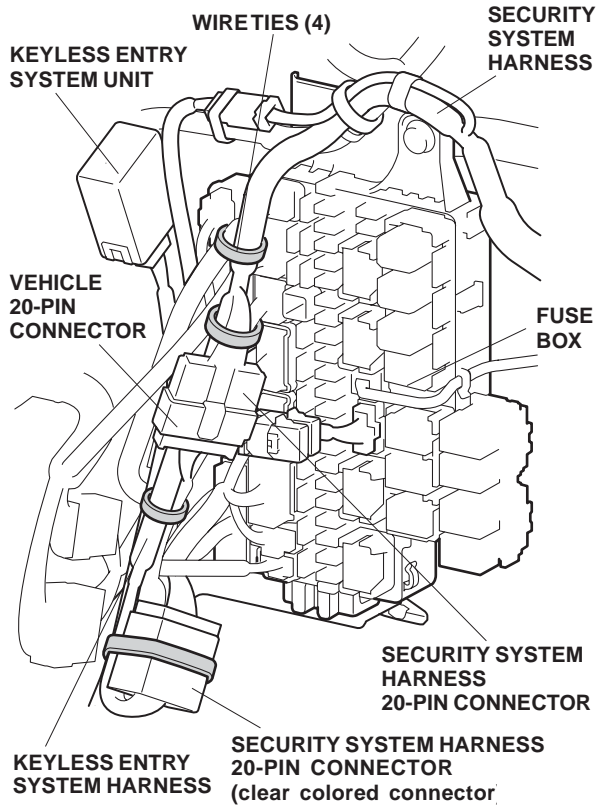


- Remove the dummy connector from the keyless entry harness.

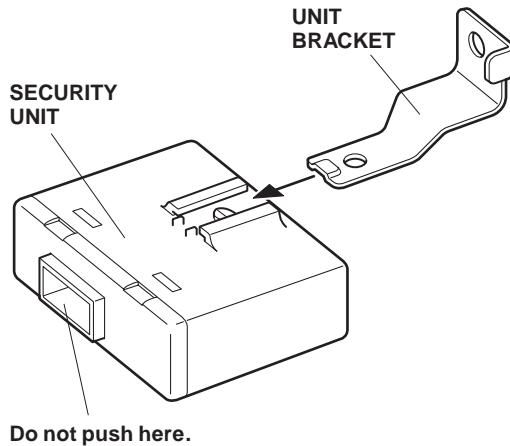


- Plug the security system harness 7-pin connector into the keyless entry system harness 7-pin connector.
- Using one wire tie, secure the security system harness to the vehicle harness as shown.

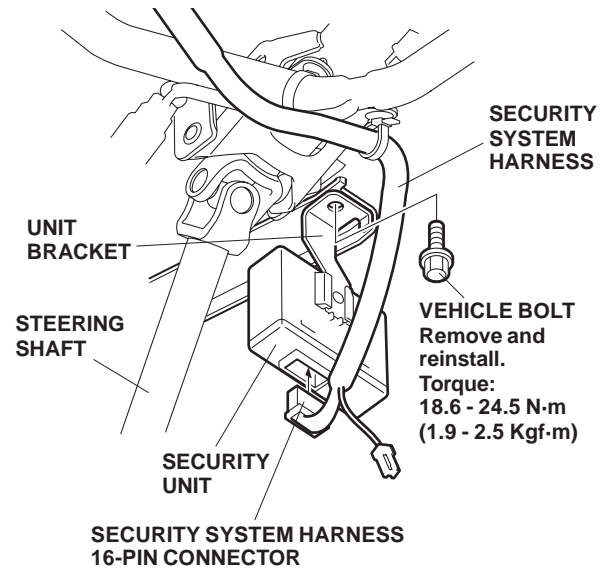
15. Secure the security system harness to the vehicle harness using four wire ties in the areas shown.



16. Attach the unit bracket to the security unit as shown.



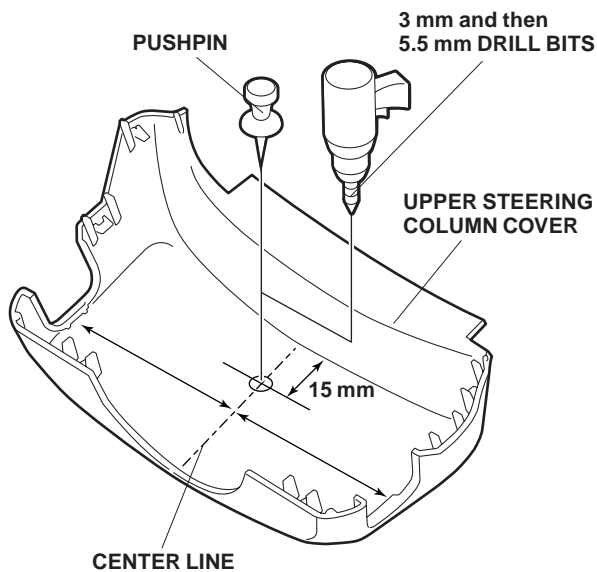
17. On the right of the steering shaft, remove the vehicle bolt and attach the security unit and bracket assembly using the vehicle bolt you just removed.



18. Plug the security system harness 16-pin connector into the security unit.

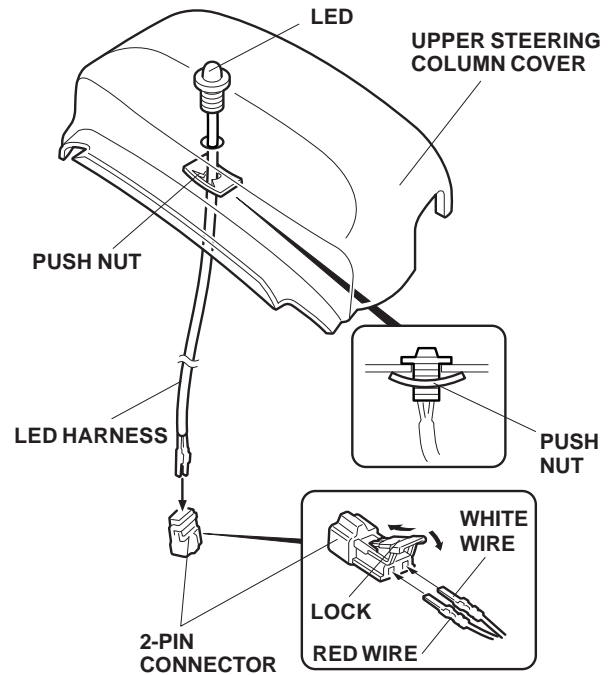
## Installing the LED Harness

19. On the inside of the upper steering column cover, measure and mark with a pushpin at the point shown.

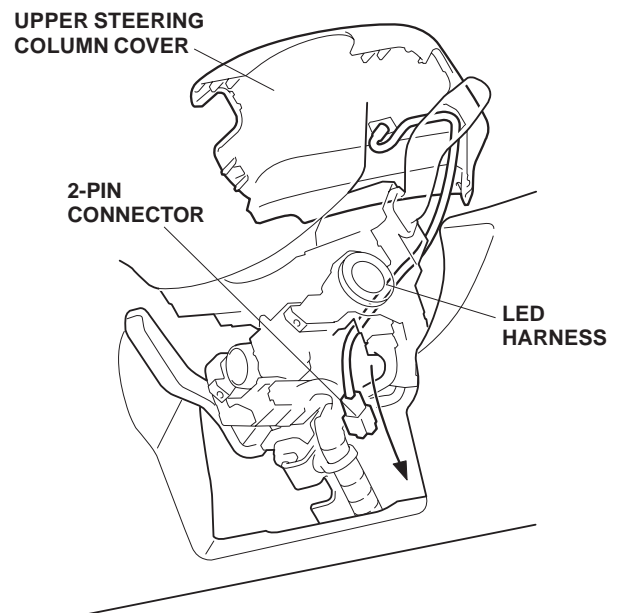


20. While wearing eye protection, drill a 5.5 mm hole at the pushpinned mark. First drill with a 3 mm drill bit and finish with a 5.5 mm drill bit.
21. Remove any burrs around the hole.

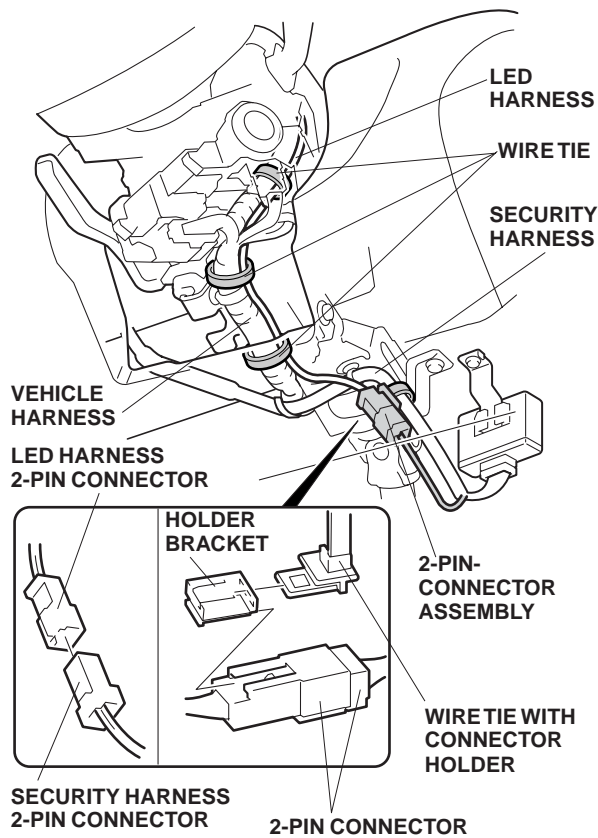
22. Route the LED harness through the hole you just drilled. Using the push nut, secure the LED to the upper steering column cover.



23. Get the 2-pin connector from the kit. Firmly push the LED terminals into the 2-pin connector as shown until they click. Secure the lock on the 2-pin connector.
24. Route the LED harness through the steering column as shown.



25. Secure the LED harness to the vehicle harness using three wire ties.



26. Plug the security harness 2-pin connector into the LED harness 2-pin connector.
27. Get the wire tie with connector holder and the holder bracket. Attach the holder bracket to the wire tie with connector holder, then attach the holder bracket to the 2-pin connector.
28. Using the wire tie with holder, secure the 2-pin-connector assembly to the security harness in the area shown.

29. Check that all the wire harnesses and cables are routed properly and all the connectors are plugged in.
30. Reinstall all the removed parts.
31. Reconnect the negative cable to the battery.
32. Enter the customer's radio anti-theft code, if applicable, and reset the radio station presets.
33. Set the clock.
34. Check operation of the security system according to the User's Information booklet supplied.

**NOTE:** When the battery is disconnected, the driver's window AUTO function is disabled.

- Start the engine. Push down on the driver's window switch until the window is fully open.
- Pull up on the driver's window switch to close the window completely, then hold the switch for 2 seconds or more.
- Lower and raise the driver's window to check operation of the driver's window AUTO function.