



INSTALLATION INSTRUCTIONS

Accessory

**SKI ATTACHMENT
P/N 08L03-TA1-100B**

Application

ODYSSEY

Publications No.

All 26028

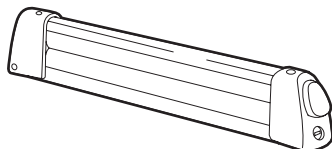
Issue Date

AUG 2003

Give this information to your customer for future reference.

PARTS LIST

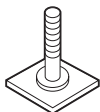
2 Ski/snowboard attachments



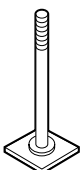
4 Knobs



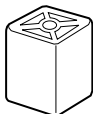
4 Short T-bolts (for removable rack)



4 Long T-bolts (for fixed rack)



4 Spacers (for fixed rack)



Key



TOOLS REQUIRED

Phillips screwdriver

T30 Torx Bit

Ratchet

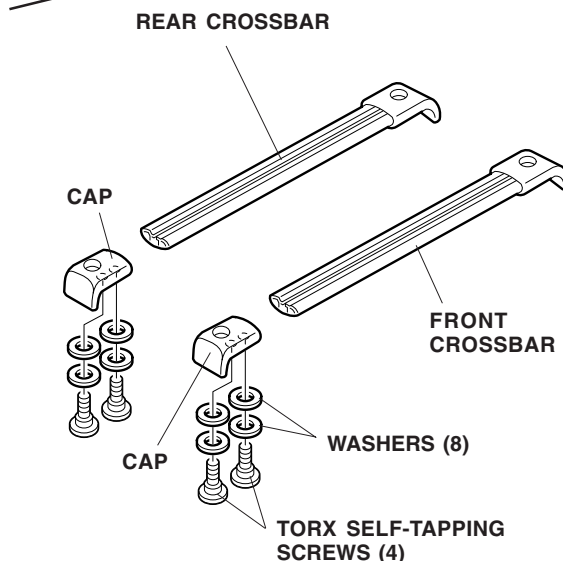
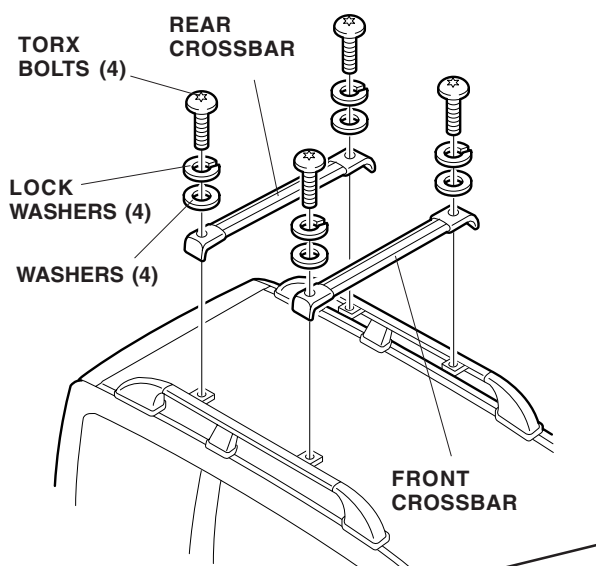
INSTALLATION

NOTE:

- The ski/snowboard attachments are designed to be used exclusively with a Honda roof rack, which is sold separately. If the vehicle is not equipped with a roof rack, have the recommended roof rack on hand, and install the roof rack before installing the ski/snowboard attachment.
- The ski/snowboard attachments may be installed either with both on the driver's side or with both on the passenger's side.

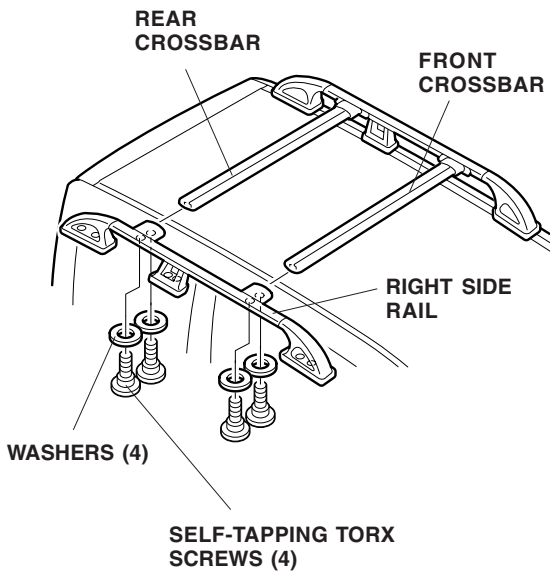
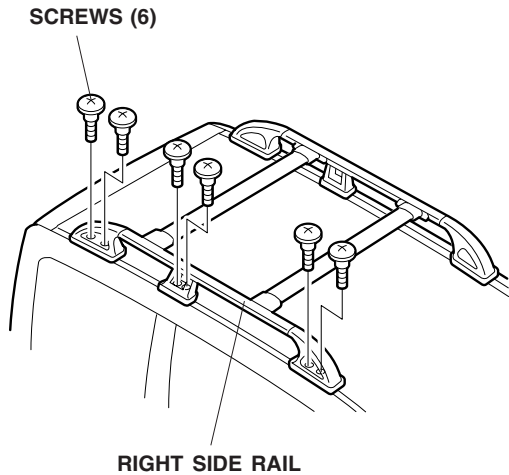
1. If equipped, remove the roof rack crossbars, and end caps. Remove the four Torx bolts, four lock washers, and four washers from the front and rear crossbars, and remove the crossbars. Remove the four Torx self-tapping screws and eight washers from the crossbars, and remove the caps.

Odyssey (EX):



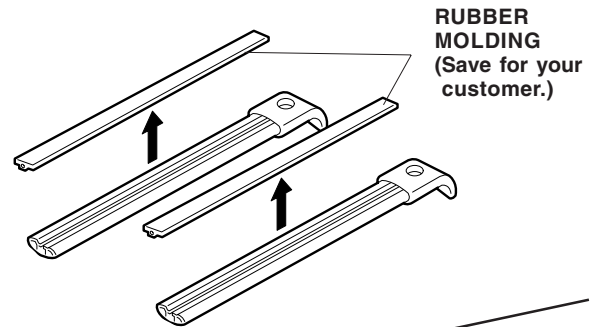
2. If equipped, remove the right roof rack side rail. Remove the six screws from the right side rail, then remove the four self-tapping Torx screws and washers and remove the side rail.

Odyssey (LX):

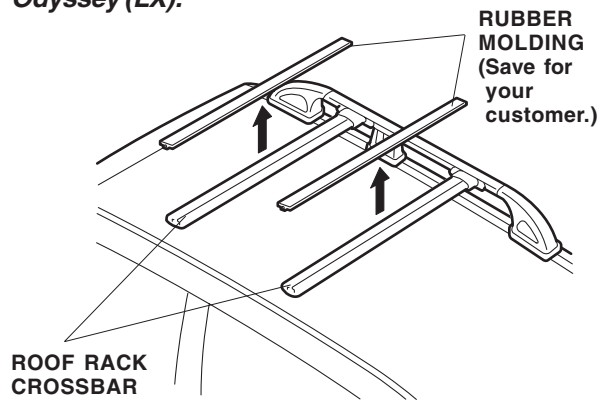


3. Remove the rubber moldings from the front and rear roof rack crossbars. Retain the rubber moldings to be reinstalled if the attachment is removed.

Odyssey (EX):

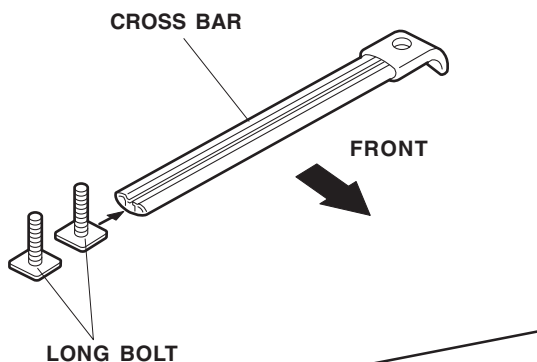


Odyssey (LX):

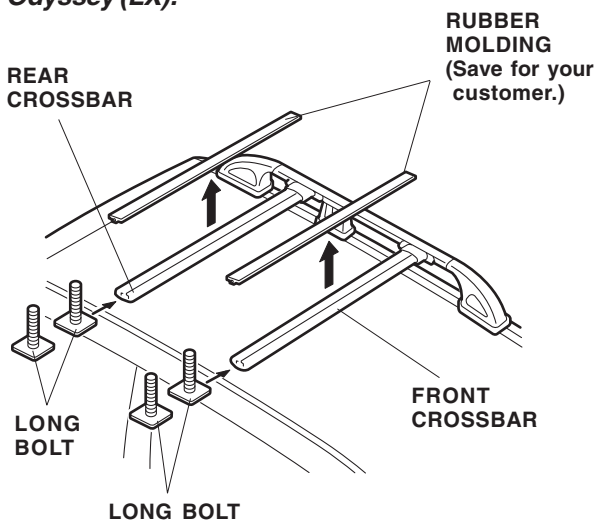


- Slide the two long bolts into each crossbar.

Odyssey (EX):

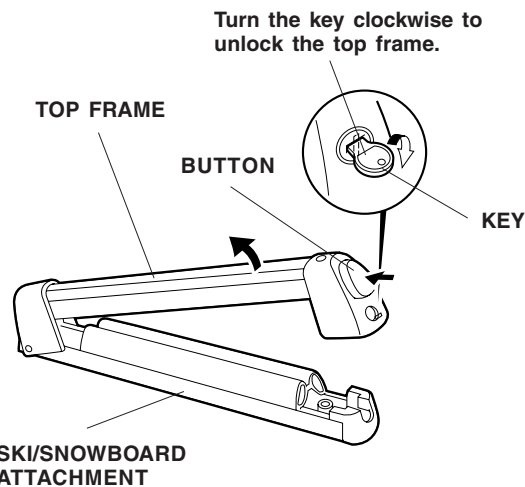


Odyssey (LX):

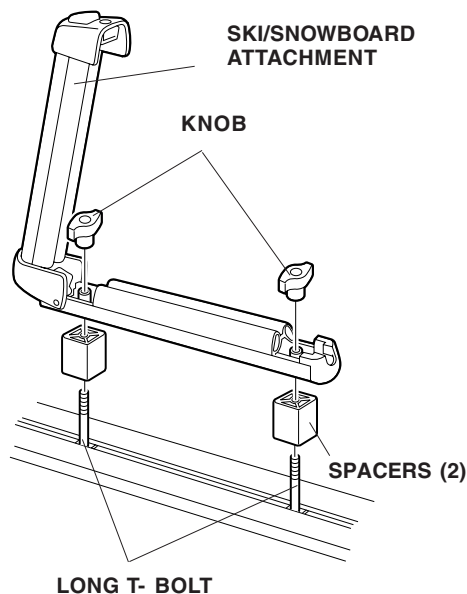


- Reinstall the right side rail to the crossbars (if equipped), and torque the screws to 5 to 7 lb-ft (7 to 10 N·m). Reinstall the caps and crossbars (if equipped), and torque the Torx bolts to 7 lb-ft (10 N·m). Reinstall the roof rack cover (if equipped).

- Insert the key, and turn it clockwise to unlock the front ski/snowboard attachment. Press the button and open the top frame completely.



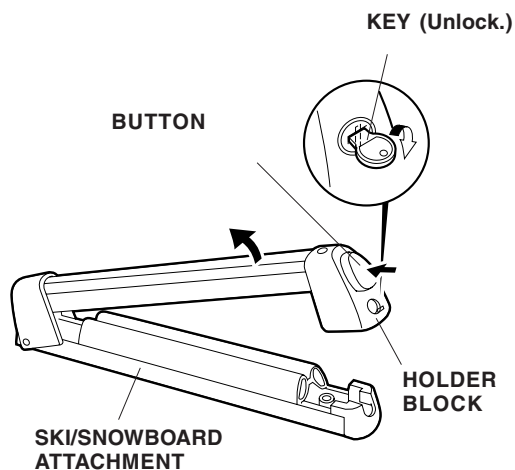
- Position the spacers and the front ski/snowboard attachment onto the T-bolts, and install the two knobs. Tighten the knobs securely.



- Repeat steps 6 and 7 to install a ski/snowboard attachment to the rear crossbar.
- Close the top frame and listen for it to "click" into position, then turn the key counterclockwise to lock the top frame.
- Rock the ski/snowboard attachment in all directions to make sure it is installed securely. If necessary, retighten the T-bolts, or reinstall the ski/snowboard attachment.
- Write down the key number, and put it in a safe place in case the key is lost or stolen.

Loading the Skis/Snowboard on the Vehicle

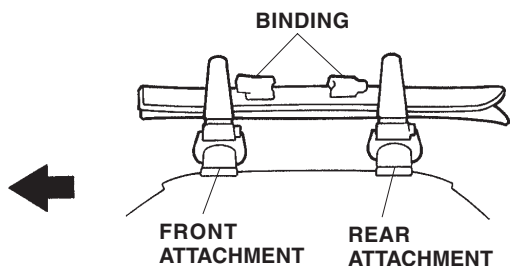
1. Insert the key, and turn it clockwise to unlock the top frame. Push the button and raise the top frame completely.



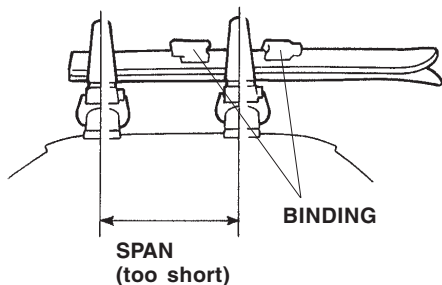
2. Position the skis or the snowboard on the attachment:

Skis:

- Load with the rear of the skis facing forward and the bindings between the front and rear attachments.

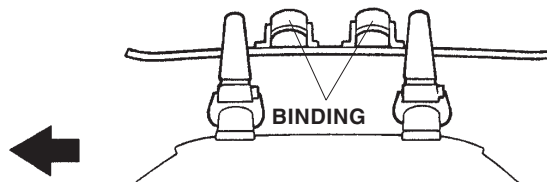


- If the bindings cannot be positioned between the front and rear attachments, install the skis with one of the bindings positioned behind the rear attachment.

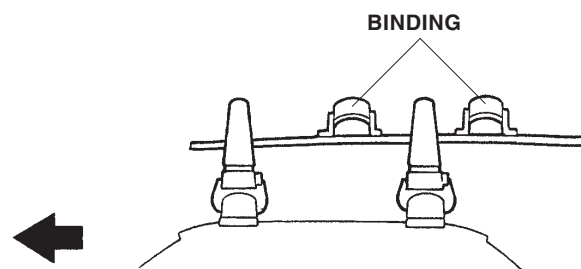


Snowboard:

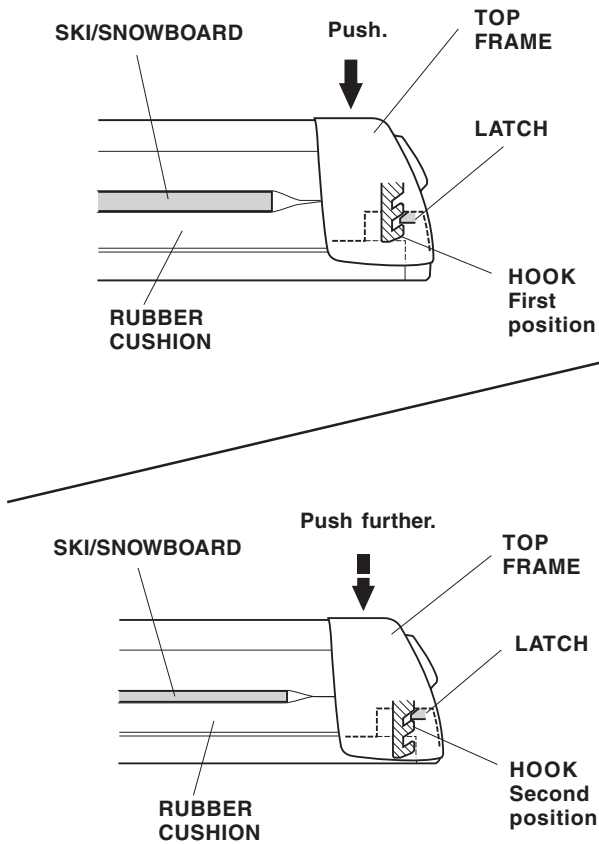
- Load with the bindings between the front and rear attachments.



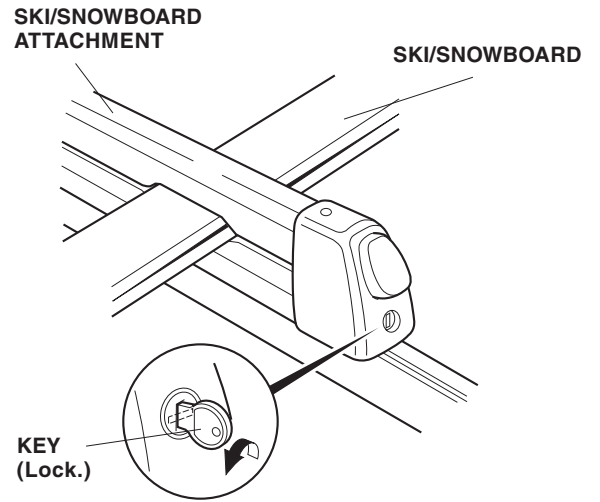
- If the bindings cannot be positioned between the front and rear attachments, install the snowboard with one of the bindings positioned behind the rear attachment.



- Close the top frame and listen for it to "click" into position. Depending on the thickness of the ski/snowboard you may need to attach the hook in the second position.



- Lock the top frame by turning the key counterclockwise. Remove the key.



- With the ski/snowboard attached, rock the attachment in all directions to make sure it is installed securely. Adjust as necessary.

