

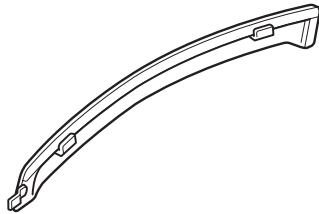


INSTALLATION INSTRUCTIONS

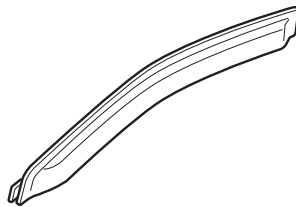
Accessory DOOR VISOR P/N 08R04-SHJ-100	Application ODYSSEY	Publications No. A11 27343
		Issue Date SEP 2004

PARTS LIST

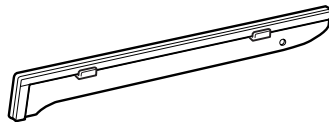
Right front door visor



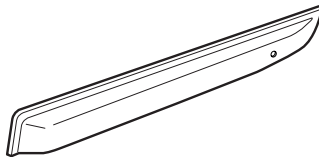
Left front door visor



Right rear door visor



Left rear door visor



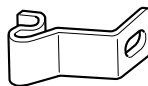
2 Clips



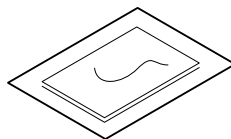
2 Washers



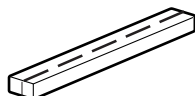
2 Brackets



Primer



2 Sealer



SUPPLIES REQUIRED

- Isopropyl alcohol
- Shop towel
- Masking tape
- Tape measure

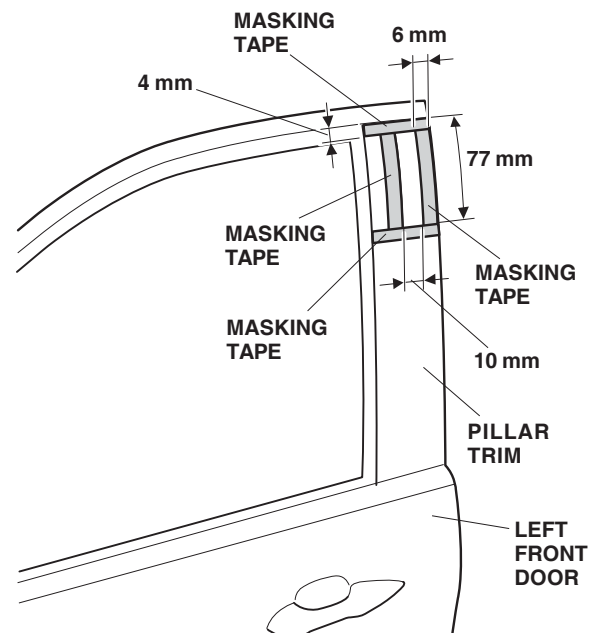
INSTALLATION

NOTE:

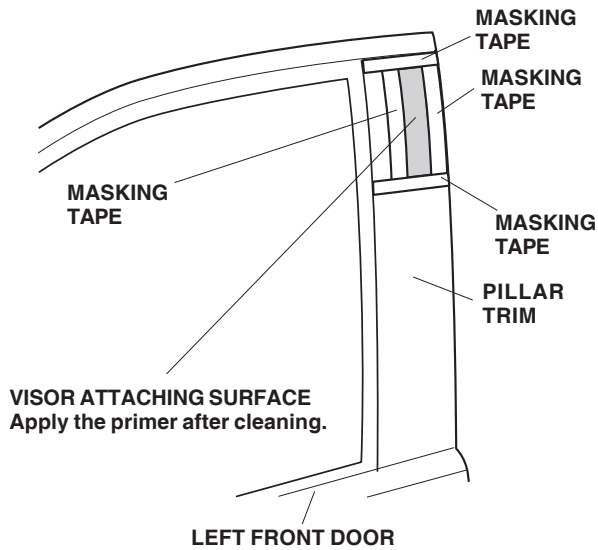
- These instructions show the left door visor being installed. The same procedure applies to installing the right door visor.
- Be careful not to damage the paint finish and glass run channels when installing the door visors.
- Handle the door visors with care. They are not designed to absorb shock or impact.
- This door visor kit should only be installed if the ambient air temperature is above 60°F (15°C).
- To allow the adhesive to cure, do not wash the car for 24 hours.

Installing the Front Door Visor

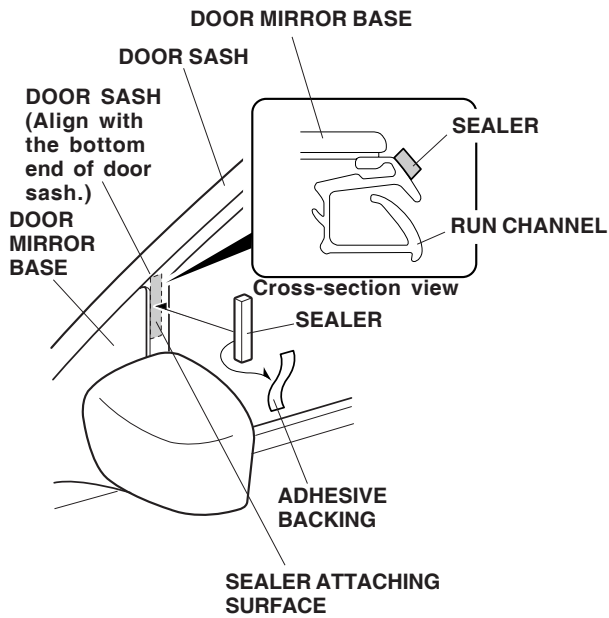
1. Using isopropyl alcohol on a shop towel, clean the entire area where the door visor will attach. Attach masking tape at the indicated dimensions to the pillar trim of the left front door.



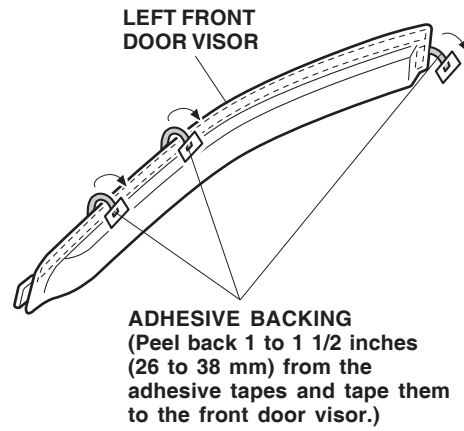
2. Apply primer to the cleaned surface.
 - Wipe up spilled primer at once.
 - Allow the primer to dry for at least 3 minutes before proceeding to the next step.
 - Remove the masking tape.



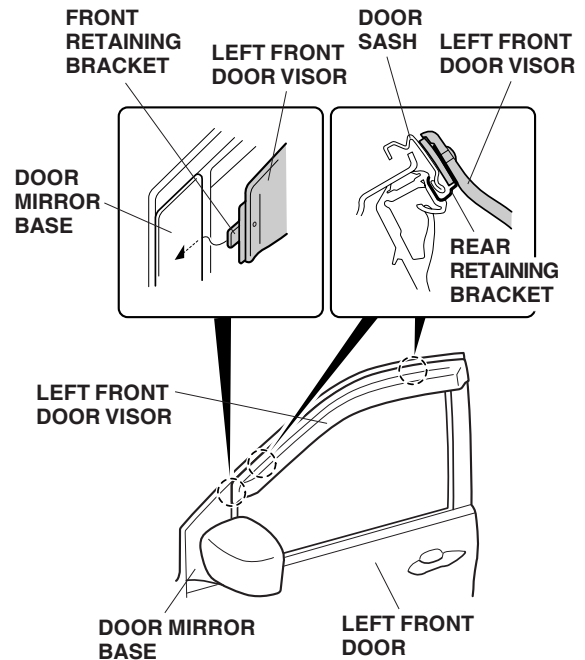
3. Remove the adhesive backing from the sealer and attach the sealer in the position shown.



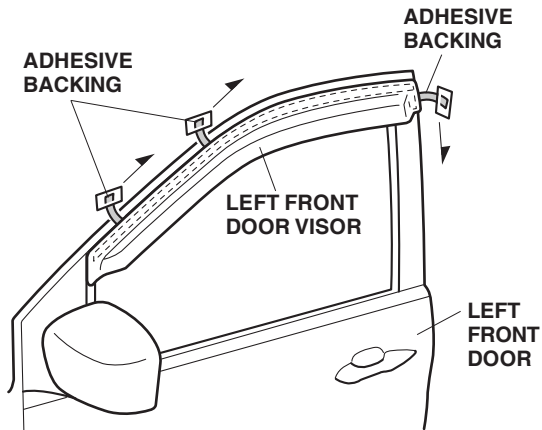
4. On the back of the left front door visor, peel back 1 to 1 1/2 inches (26 to 38 mm) of the adhesive backing, and temporarily attach them to the front surface of the door visor with masking tape.



5. Position the left front door visor on the door. Push the front retaining bracket into the door mirror base; push the two rear retaining brackets into the door sash.

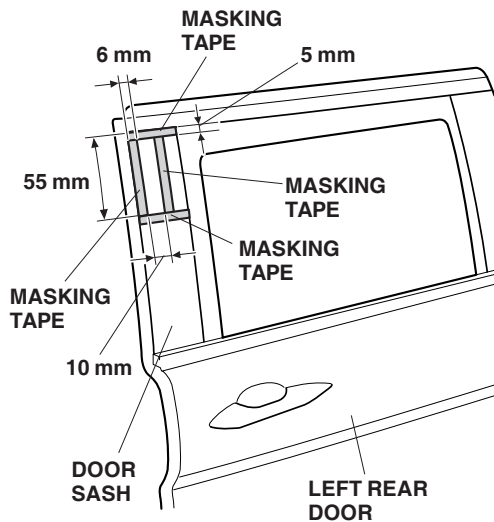


6. While holding light pressure on the door visor, carefully remove the adhesive backings.
 - Check that the two rear retaining brackets are installed in the door sash properly.
 - After removing the adhesive backings, hold the visor firmly against the door sash, with the palm of your hand, particularly at the edges.
 - Do not allow the visor to lift when removing the adhesive backings.

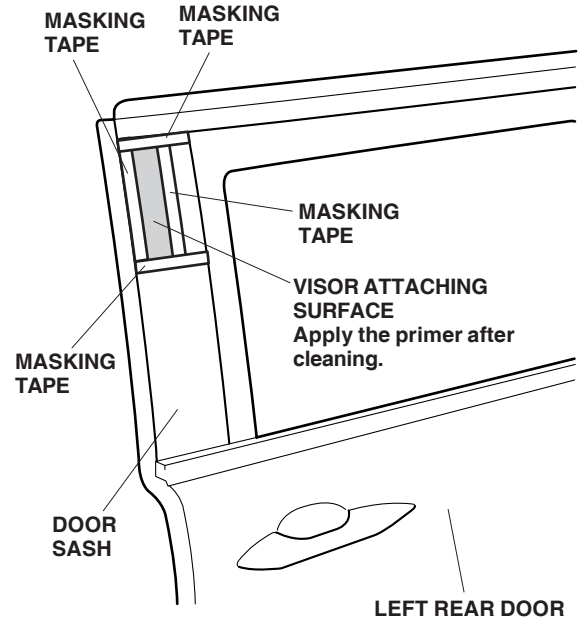


Installing the Rear Door Visor

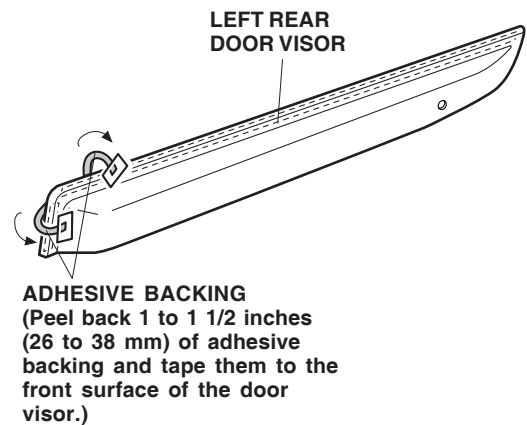
7. Using isopropyl alcohol on a shop towel, clean the entire area where the rear door visor will attach. Attach masking tape to the rear door sash at the measurements shown.



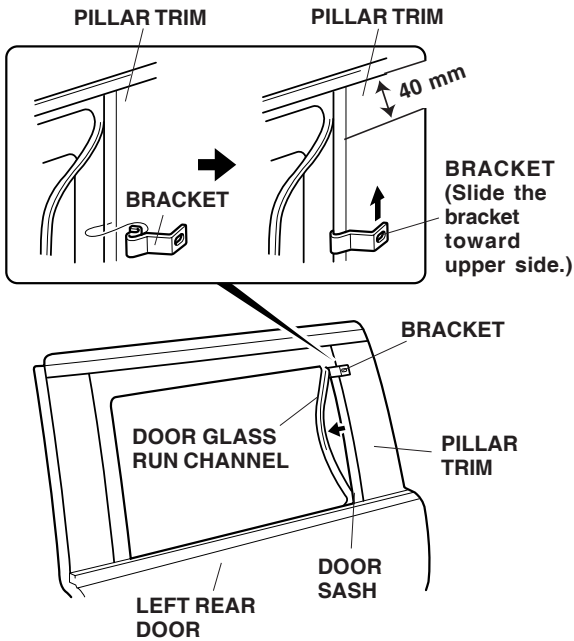
8. Apply primer to the cleaned surface. Remove the masking tape.
 - Wipe up spilled primer at once.
 - Allow the primer to dry for at least 3 minutes before proceeding to the next step.



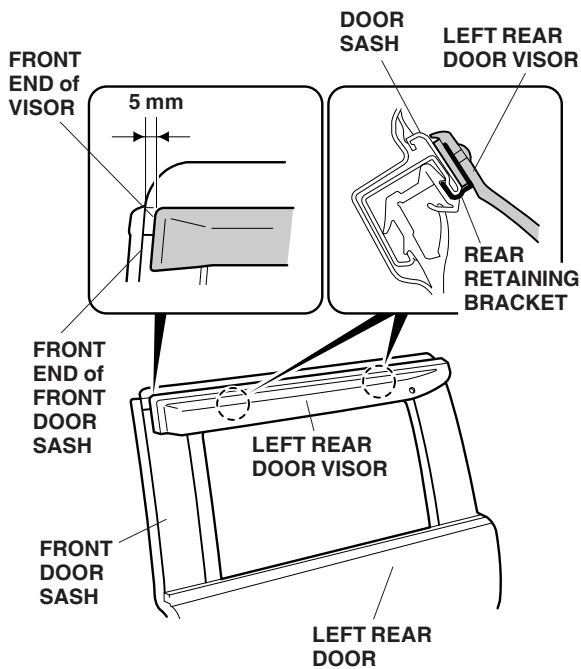
9. On the back of the left rear door visor, peel back 1 to 1 1/2 inches (26 to 38 mm) of the adhesive backings, and tape them to the front surface of the left rear door visor.



10. Remove the door glass run channel from the door sash in the area shown. Install the bracket to the left rear door pillar trim, as shown.

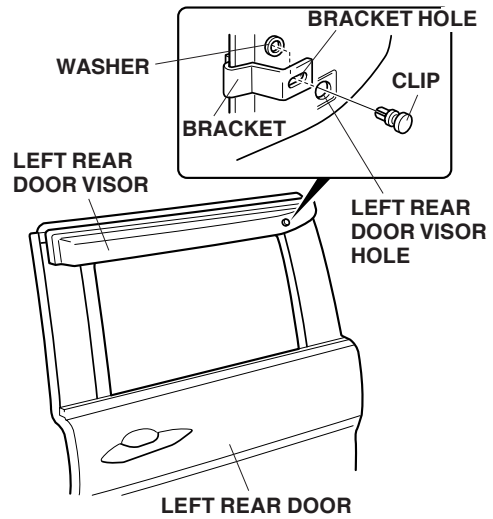


11. Position the left rear door visor on the door sash. Push the two retaining brackets into the door sash.

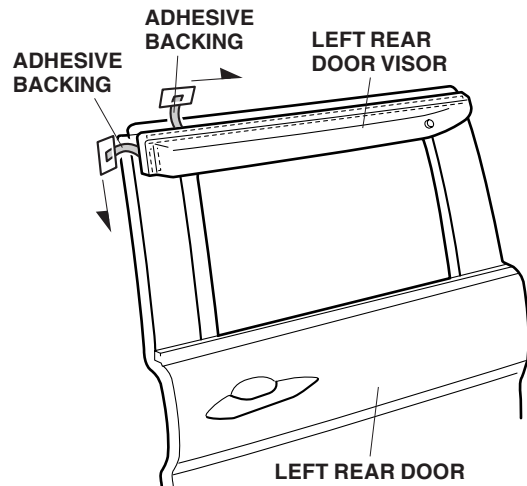


12. Adjust the visor so that the clearance between the front end of the visor, and front end of the front door sash is 0.2 inch. (5 mm).

13. Align the bracket hole with the hole in the left rear door visor, and secure the left rear door visor with one clip and one washer.



14. While applying light pressure on the left rear door visor, carefully remove the adhesive backings.
- Check that the two rear retaining brackets are installed in the door sash properly.
 - After removing the adhesive backings, hold the visor firmly against the door sash, with the palm of your hand, particularly at the edges.
 - Do not allow the visor to lift when removing the adhesive backings.



15. Repeat steps 1 through 14 to install the door visors on the right side of the vehicle.
16. Raise and lower all the windows several times to seat the glass run channels.