

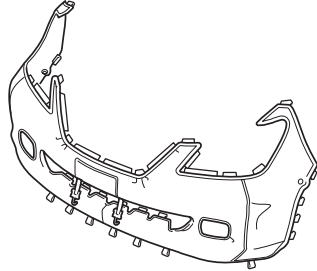


INSTALLATION INSTRUCTIONS

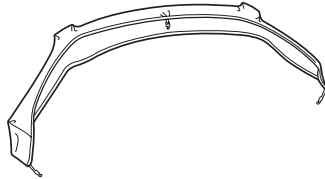
Accessory	Application	Publications No.
FULL NOSE MASK	ODYSSEY	All 27347
		Issue Date
		SEP 2004

PARTS LIST

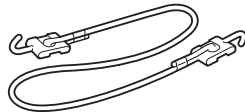
Mask
(bumper section)



Mask
(hood section)



Elastic strap



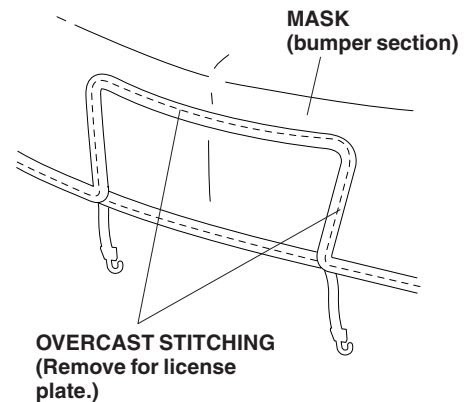
TOOLS REQUIRED

Scissors
Utility knife

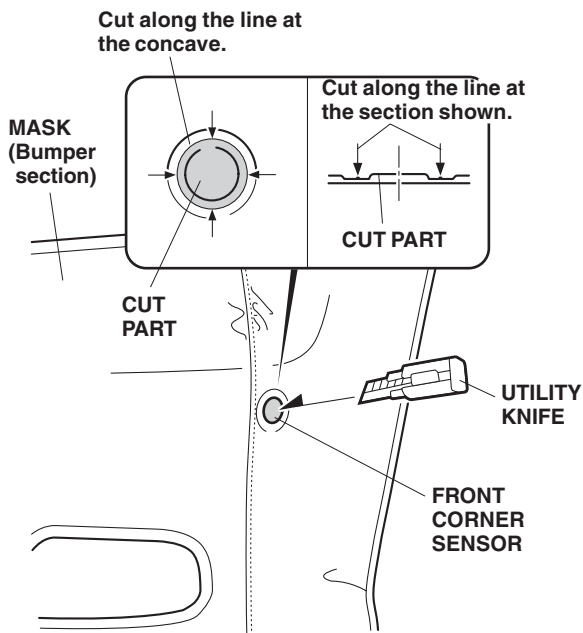
INSTALLATION

NOTE:

- Make sure the vehicle and the nose mask are clean and completely dry before installation. If moisture under the mask is allowed to dry, it may cloud the paint. If the mask gets wet, remove it and allow it to air-dry completely.
 - Make sure any repainted surfaces are cured.
 - Make sure the hood and nose of the vehicle have been waxed with a high-quality paste wax.
 - Make sure you install the nose mask securely. If the nose mask starts to flap or comes loose while driving, safely pull off the highway, stop the vehicle, and secure or remove the mask.
 - The nose mask cannot be installed if the vehicle is equipped with fenderwell trim.
1. If your state law requires the display of both license plates, cut out the piece of the bumper section that covers the front license plate:
 - Face the inside of the mask toward you.
 - Carefully cut out the license plate section with scissors at the top seam, and remove the overcast stitching.

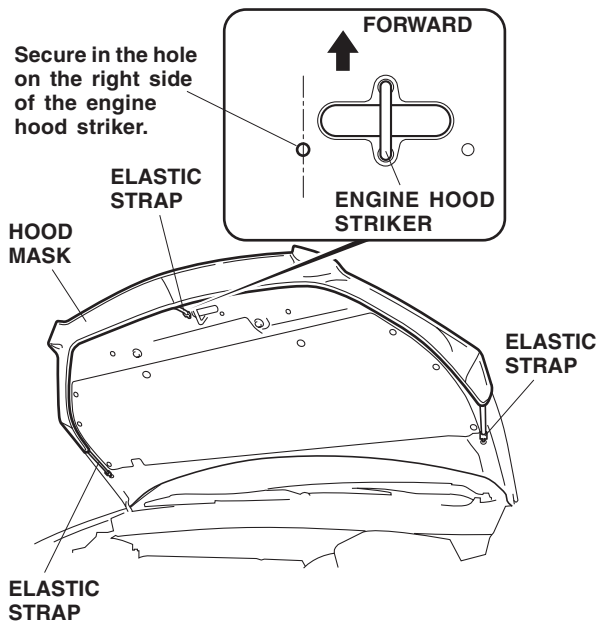


2. If the vehicle is equipped with the front corner sensors, cut out the front corner sensors on the right and left bumper section of the nose mask using a utility knife.



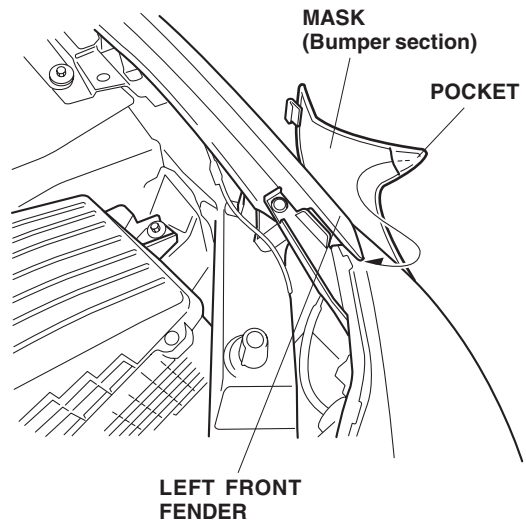
Installing the Hood Section

3. Open the hood. Fit the corners of the hood section around the hood, and adjust the mask so it fits smoothly over the edges. Attach the three elastic straps to the holes in the hood.

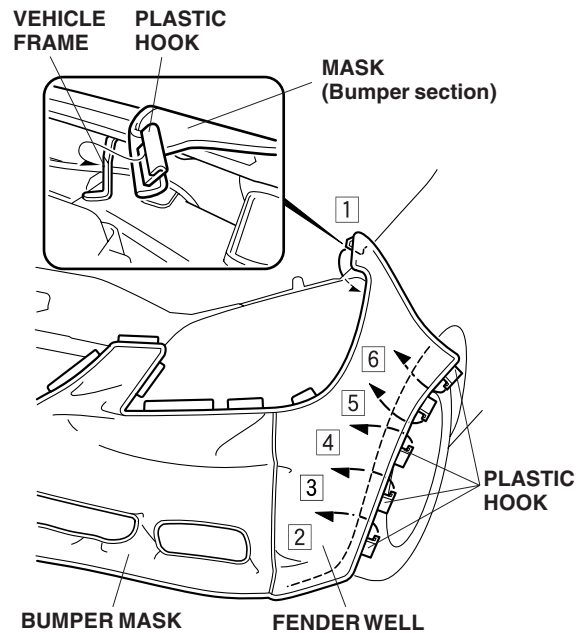


Installing the Bumper Section

4. Turn the steering wheel all the way clockwise.

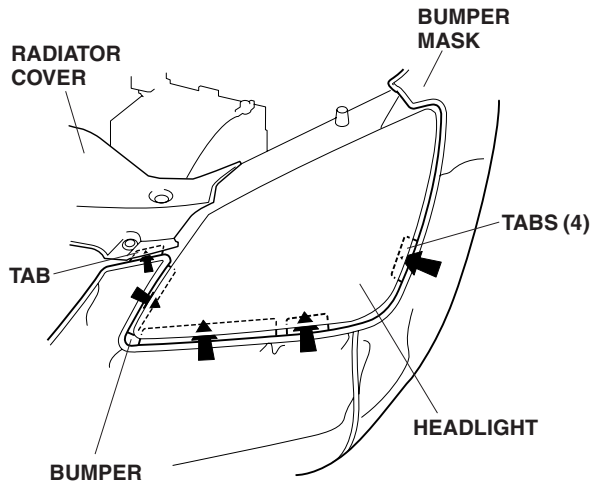


5. Slip the pocket of bumper section onto the front corner of the left fender.
6. Attach the plastic hook from the bumper section to the vehicle frame. Fit the mask across the bumper, and attach the mask to the right side the same way.

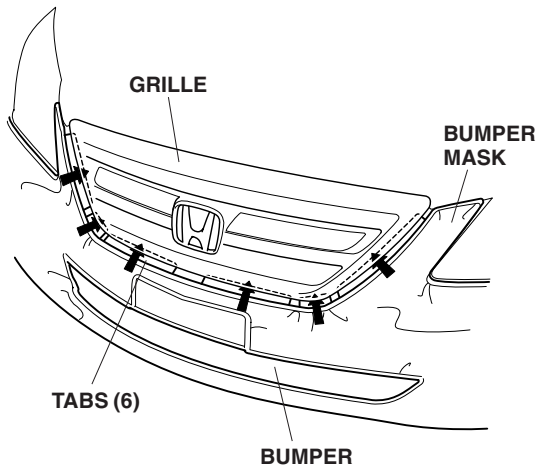


7. On both sides of the vehicle, attach the five plastic hooks between the fenderwell and the fender in the sequence shown.

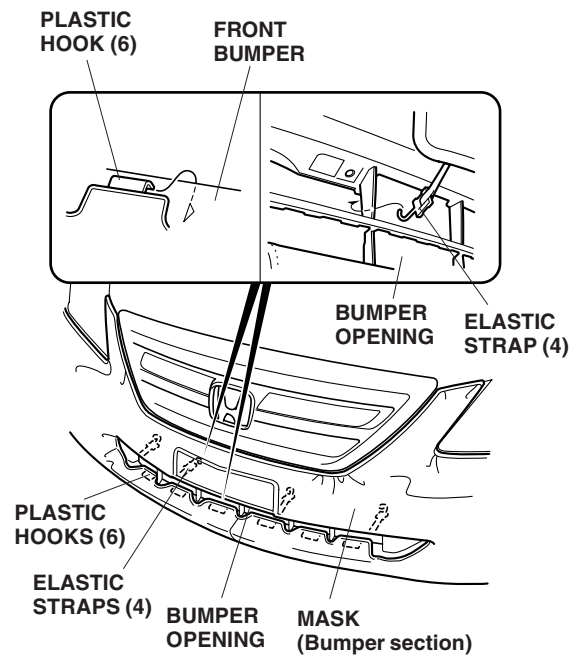
- Insert the four tabs between the headlight and the bumper, and insert the one tab between the radiator cover and the bumper.



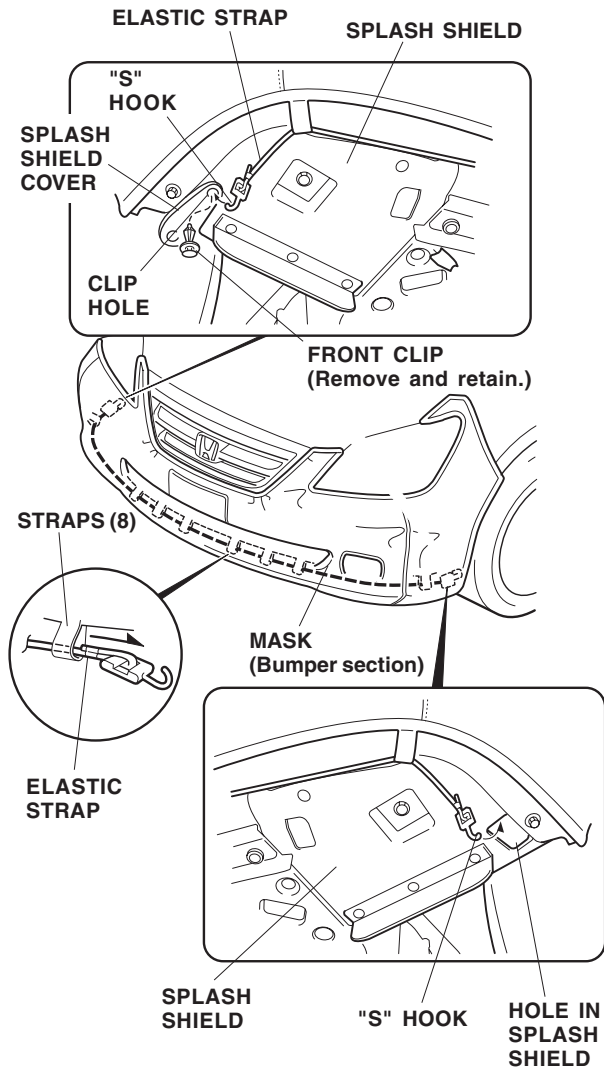
- Insert the six tabs between the grille and the bumper.



- Attach the four elastic straps to the inside top edge of the bumper opening, and attach the six plastic hooks to the bottom inside edge of the bumper opening.



11. On the passenger's side of the vehicle, remove the front clip that secures the splash shield cover. Hook the "S" hook into the clip hole.



12. Route the elastic strap to the driver's side of the vehicle through the eight straps of the mask (bumper section), and secure the "S" hook to the hole in the splash shield.
 - Be sure to keep the bumper section of the nose mask centered.
 - Retain the clip to be reinstalled when the nose mask is removed.

CLEANING THE NOSE MASK

Use a sponge or cloth and a solution of mild liquid dishwashing soap and water to clean the vinyl and the flannel backing. Rinse the mask completely with clean water, and hang it to dry, out of direct sunlight. Make sure the mask is completely dry before you reinstall it.