



INSTALLATION INSTRUCTIONS

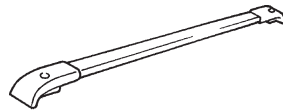
Accessory
CROSSBAR
 (EX, EX-L, TOURING)
 P/N 08L04-SHJ-100

Application
ODYSSEY

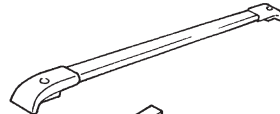
Publications No.
All 27357
 Issue Date
SEP 2004

PARTS LIST

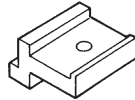
Front crossbar
 (longer)



Rear crossbar
 (shorter)



4 Holders



4 Special bolts



4 Washers



4 Lock washers



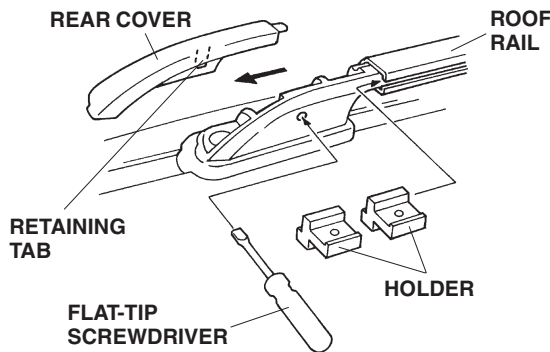
TOOLS REQUIRED

Small flat-tip screwdriver
 T-30 Torx screwdriver

INSTALLATION

NOTE:

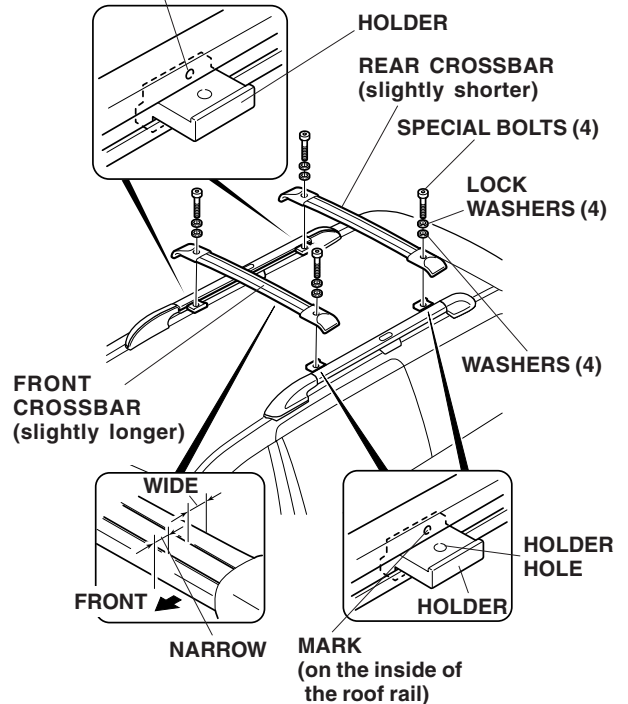
- Wipe the roof rails clean before installing the crossbars.
 - Be careful not to damage the body paint.
- Insert a small flat-tip screwdriver into the hole on the inside of the roof rail base and release the retaining tab, then remove the rear cover.



- Insert two holders in the groove of the roof rail.

- Repeat steps 1 and 2 for the other roof rail.
- Slide each holder back, and align the hole in the holder with the mark on the inside of the roof rail.

MARK (on the inside of the roof rail)



- Position the crossbars on the holders, and install the special bolts with washers. Tighten the bolts securely.
- Reinstall the rear covers on the roof rails.

USE AND CARE

- Check the roof rack crossbar mounting bolts frequently, and retighten them if necessary.
- Distribute the weight of the cargo evenly, and do not exceed the maximum weight capacity of 150 lb (68 kg).

Important:

The small torx screws on the underside of one end of each crossbar will break if overtightened. They are designed to not hold the end piece tightly in place to allow for vehicle flex.