

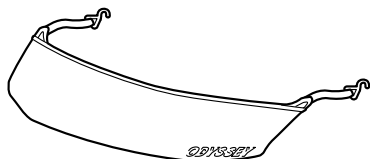


INSTALLATION INSTRUCTIONS

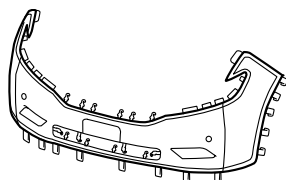
Accessory FULL NOSE MASK P/N 08P35-TK8-100	Application 2011 ODYSSEY	Publications No. All 43919
		Issue Date SEP 2010

PARTS LIST

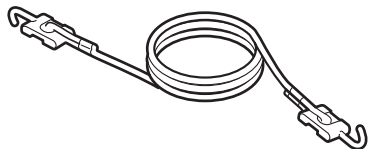
Mask
(hood section)



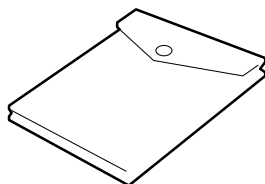
Mask
(bumper section)



Elastic cord



Storage bag



TOOLS AND SUPPLIES REQUIRED

Utility knife

INSTALLATION

Customer Information: The information in this installation instruction is intended for use only by skilled technicians who have the proper tools, equipment, and training to correctly and safely add equipment to your vehicle. These procedures should not be attempted by “do-it-yourselfers.”

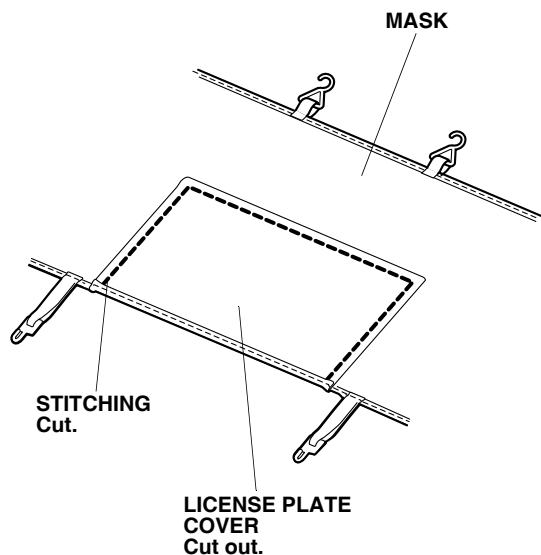
NOTE:

- Make sure the vehicle and the nose mask are clean and completely dry before installation. If the moisture under the mask is allowed to dry, it may cloud the paint. If the mask becomes wet, remove it and allow it to air-dry completely.
- Make sure any repainted surfaces are cured.
- Make sure the hood and nose of the vehicle have been waxed with a high-quality paste wax.
- Make sure to install the nose mask securely. If the nose mask starts to flap or comes loose while driving, safely pull to the side of the road, stop the vehicle, and re-secure or remove the mask. Please advise the customer.

Displaying the License Plate

If your state law requires the display of both license plates, cut out the piece of the bumper section that covers the front license plate:

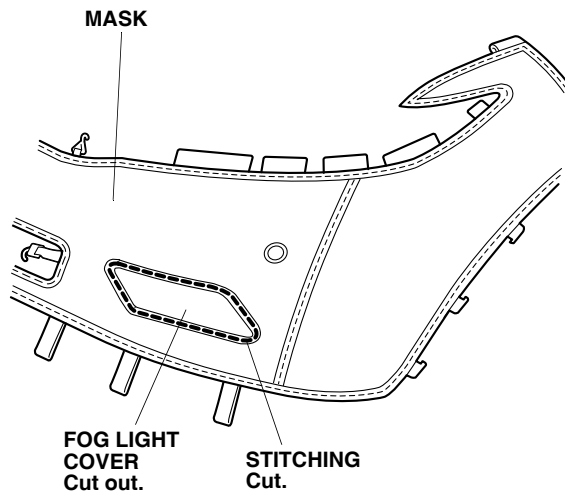
- Face the inside of the mask toward you.
- Carefully cut out the overcast stitching with a utility knife. Remove the stitching and the license plate cover.



With Fog Lights

If the vehicle is equipped with fog lights, remove the piece of the bumper section that covers the fog lights:

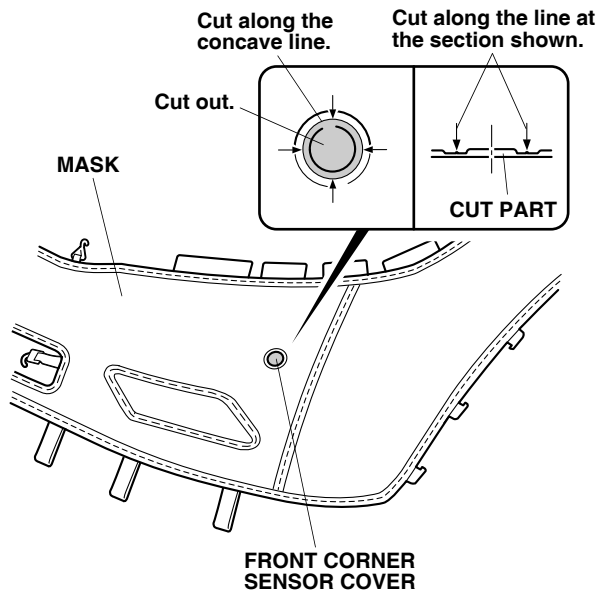
- Face the inside of the mask toward you.
- Carefully cut out the overcast stitching with a utility knife. Remove the stitching and the fog light cover.
- Repeat the procedure on the other side.



With Front Corner Sensors

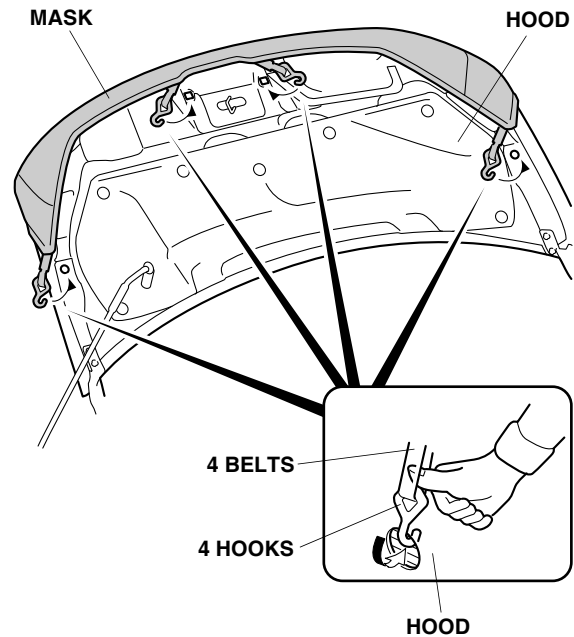
If the vehicle is equipped with front corner sensors, remove the piece of the bumper section that covers the front corner sensors:

- Face the outside of the mask toward you.
- Carefully cut out the mask with a utility knife. Remove the front corner sensor cover.
- Repeat the procedure on the other side.



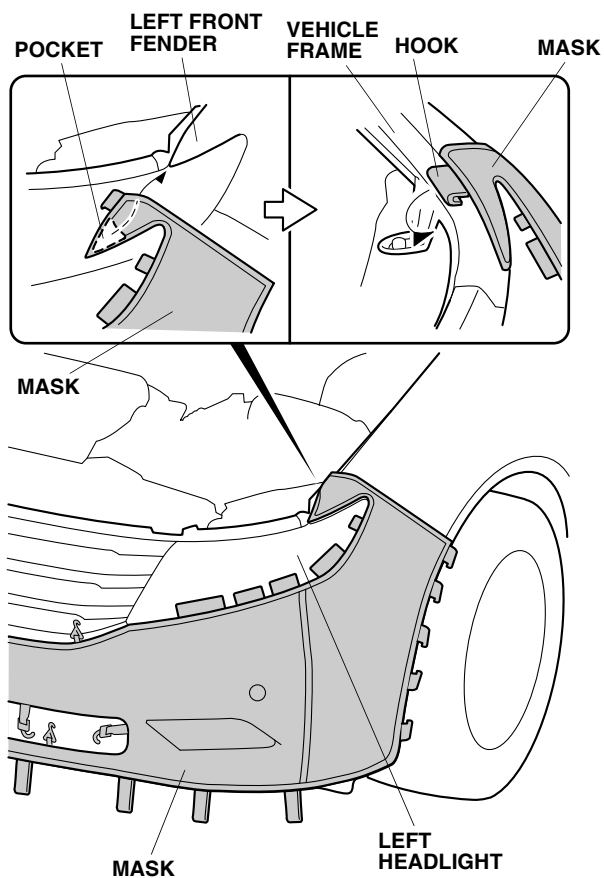
Installing the Hood Section

1. Open the hood. Fit the corners of the mask around the hood. Adjust the mask so that it fits smoothly over the edges. Attach the four hooks to the hood by inserting your finger into the belt of each hook.

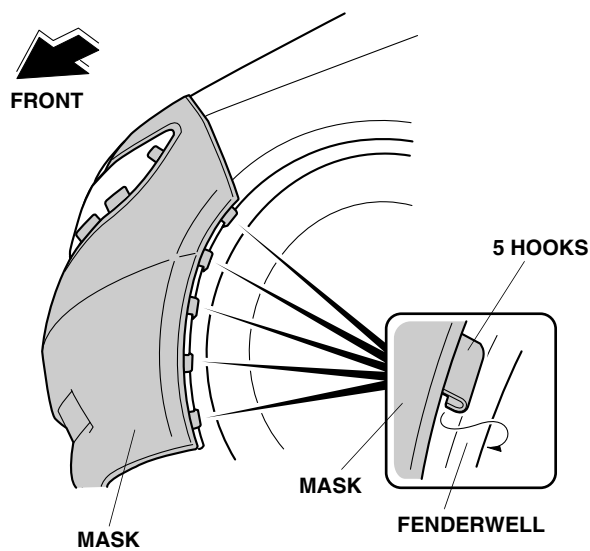


Installing the Bumper Section

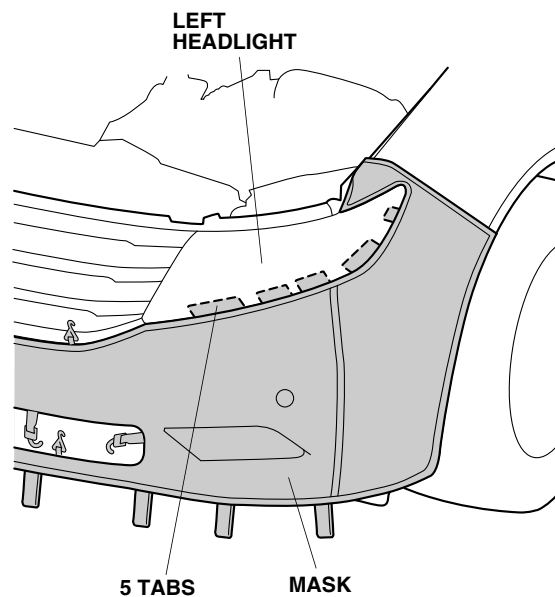
- Slip the pocket on the mask onto the front corner of the left front fender.



- Secure one hook to the vehicle frame.
- Pull the mask back toward the fenderwell, smooth out any wrinkles, and secure five hooks to the fenderwell.

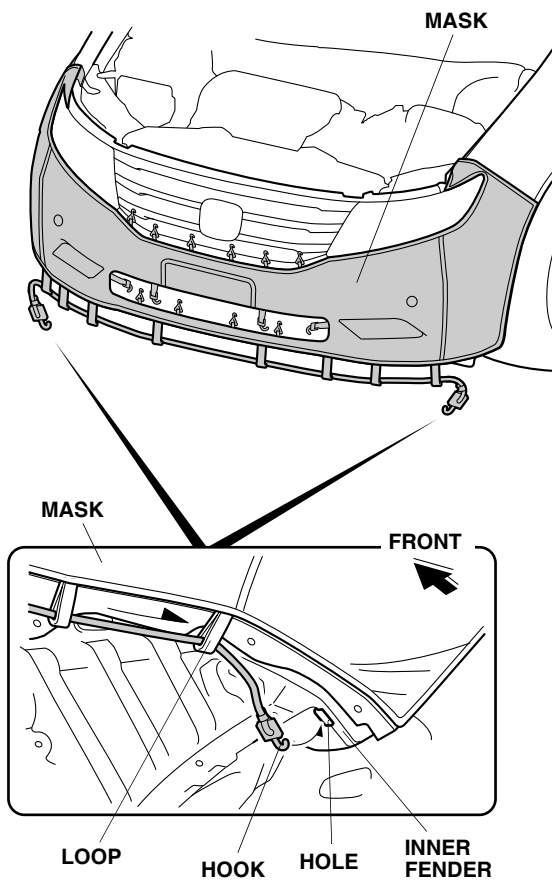


- Insert five tabs below the left headlight.



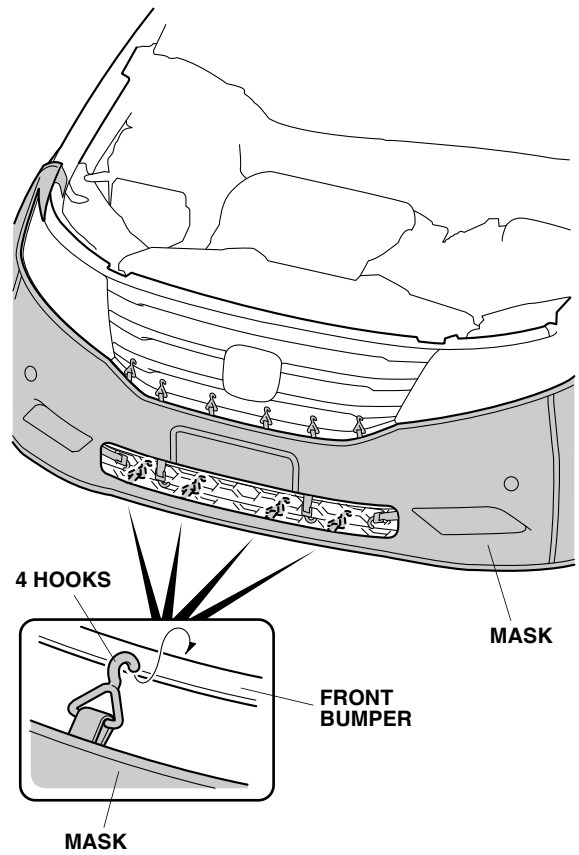
- Repeat steps 2 thru 5 to install the mask on the right side of the vehicle.

7. Route the elastic cord through eight loops on the bottom of the mask.

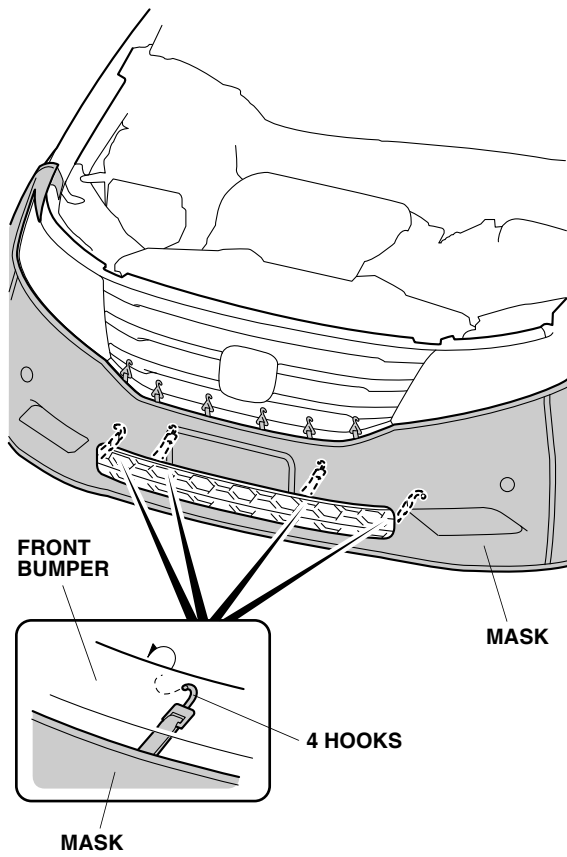


8. Secure one end of the elastic cord to the inner fender hole.
9. Make sure elastic cord is routed through all the loops, and attach the other hook to the inner fender on the other side of the vehicle.

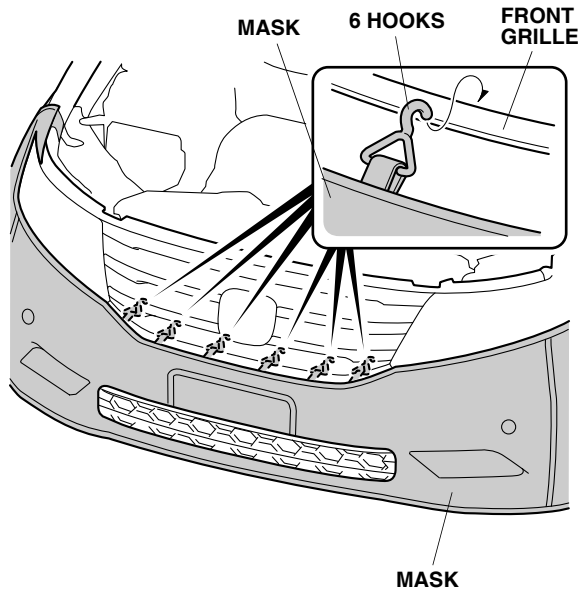
10. Secure the four hooks to the bottom of the lower grille in the areas shown.



11. Secure the four hooks to the top of the lower grille in the areas shown.



12. Secure the six hooks to the bottom of the front grille.



CLEANING THE NOSE MASK

Use a sponge or cloth with a solution of mild liquid dishwashing soap and water to clean the vinyl and the flannel backing. Rinse the mask completely with clean water, and hang it to dry out in direct sunlight. Make sure the mask is completely dry before you reinstall it.