

# HONDA INSTALLATION INSTRUCTIONS

Accessory  
CD PLAYER  
ATTACHMENT KIT

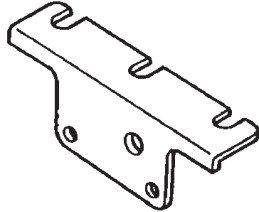
Application  
1998 ODYSSEY

Publications No.  
All 19306  
Issue Date  
NOV 1997

## PARTS LIST

### CD Player Attachment: P/N 08B10-SX0-100

CD Player bracket

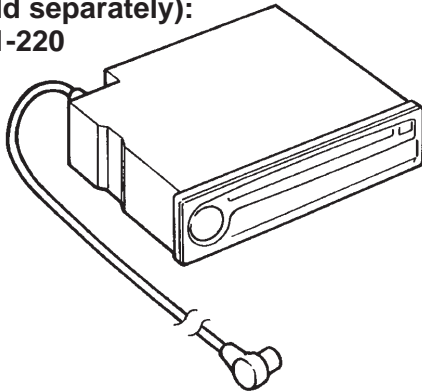


2 Bolts, 5 x 10 mm  
(not used)



### CD Player (sold separately): P/N 08A06-181-220

CD Player



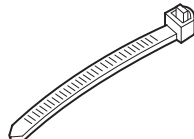
4 Washer-screws,  
4 x 8 mm



Owner's Manual



Wire tie (not used)

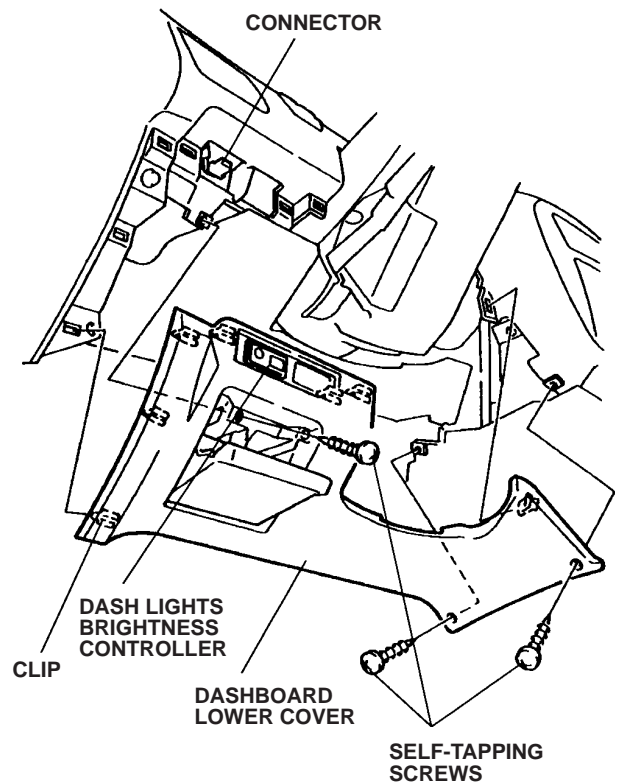


## TOOLS REQUIRED

#2 Phillips screwdriver  
Stubby Phillips screwdriver

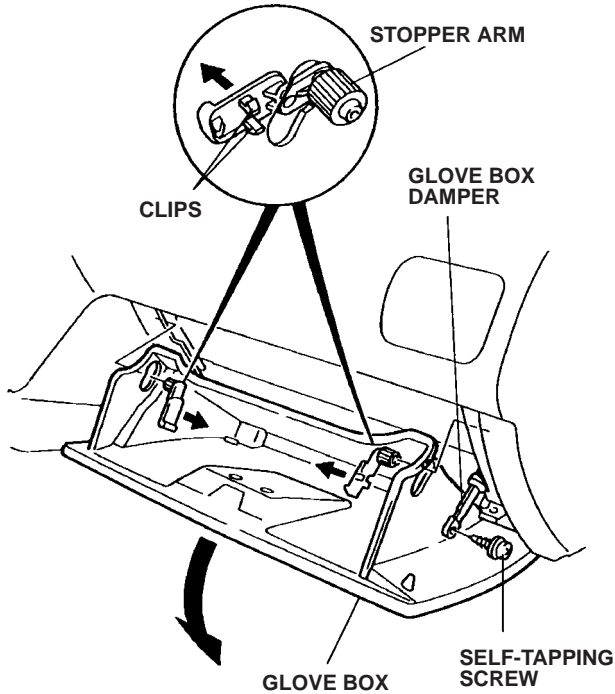
## INSTALLATION

1. Make sure you have the anti-theft code for the radio, then write down the frequencies for the preset buttons.
2. Disconnect the negative cable from the battery.
3. Open the coin box.

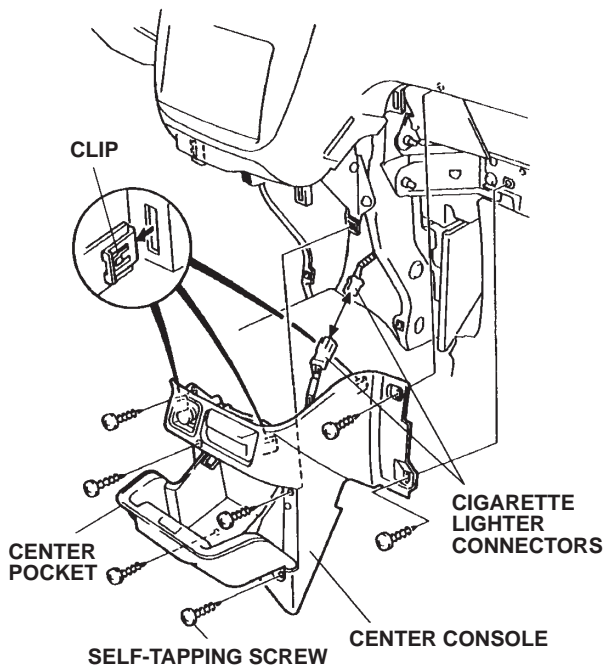


4. Remove the dashboard lower cover (three self-tapping screws, seven retaining clips, and one connector).

- Open the glove box. Remove the self-tapping screw that attaches the glove box damper to the glove box.

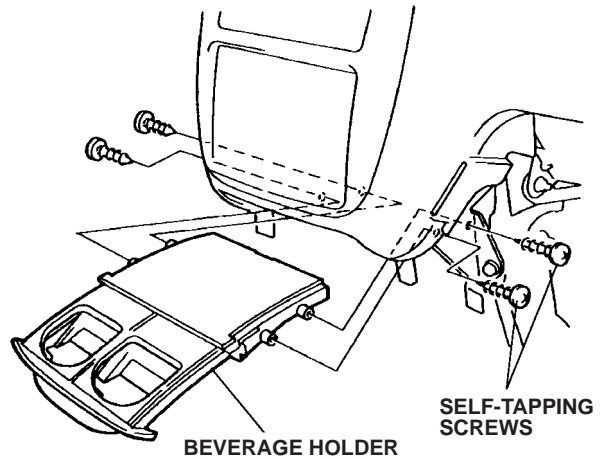


- Remove the right and left stopper arms by releasing the retaining clips.
- Open the center pocket in the center console, and remove the seven self-tapping screws.

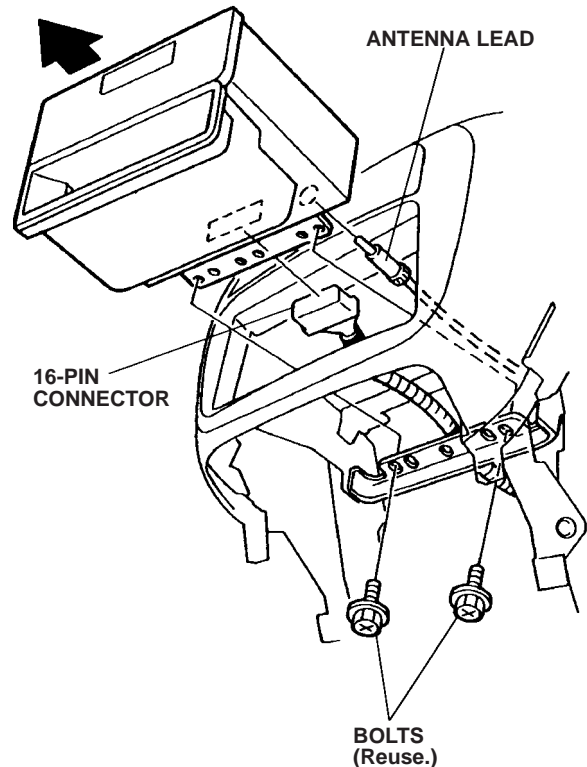


- Release the three retaining clips, and unplug the cigarette lighter connectors; then remove the center console.

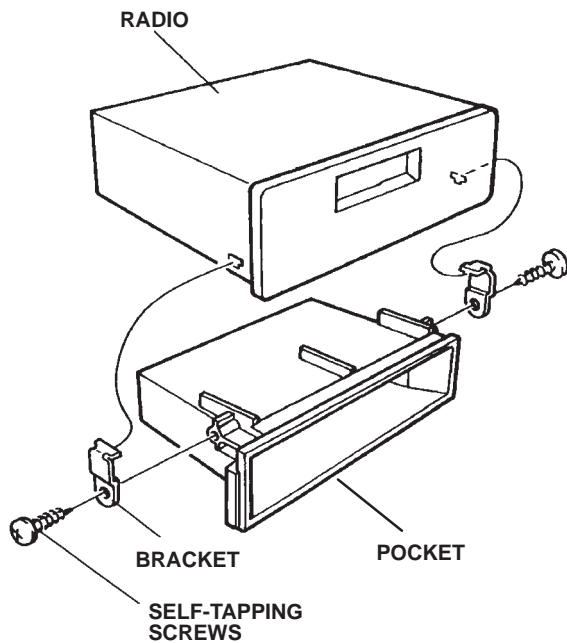
- Remove the beverage holder (four self-tapping screws).



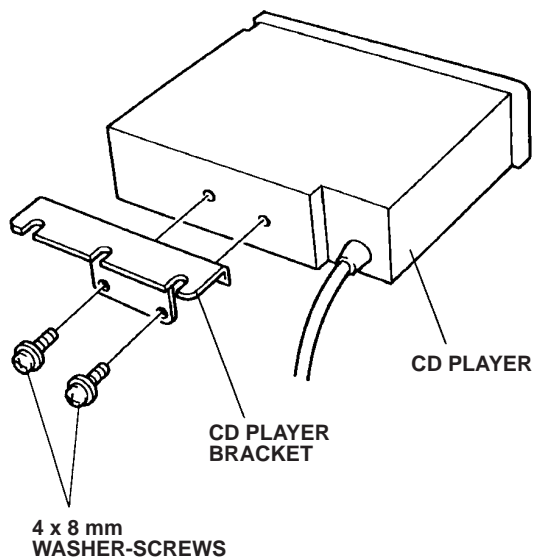
- Remove the two bolts attaching the radio to the radio bracket, then pull the radio out toward you. Unplug the 16-pin connector and the antenna lead from the rear of the radio, and remove the radio.



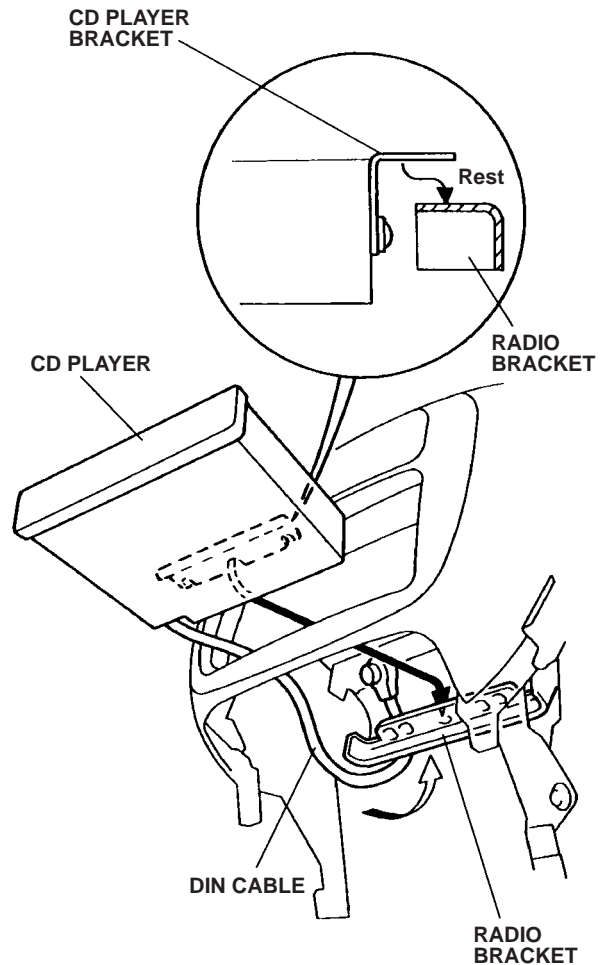
- Remove the self-tapping screws attaching the brackets to the pocket, and separate the pocket from the radio.



- Position the CD player bracket from the kit on the rear of the CD player, and then install the two 4 x 8 mm washer-screws furnished with the CD player kit.

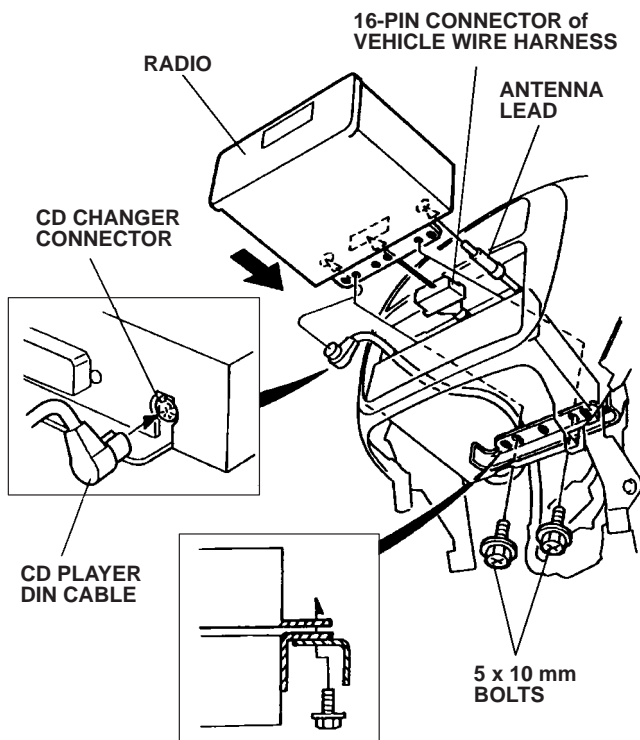


- Slide the CD player into the radio opening in the dashboard, and rest the CD player bracket on the radio bracket. Route the DIN cable from the CD player into the instrument panel under and around the radio bracket.



14. Before installing the radio, plug the DIN connector from the CD player into the CD changer connector on the rear of the radio. Plug the 16-pin connector of the vehicle harness and the antenna lead into the rear of the radio. Then install the radio into the dashboard opening above the CD player:

- Before the radio is installed completely, pull out the CD player and align the face panels flush with each other. Then push them in all the way until their brackets rest on the radio bracket properly without disturbing their alignment.
- Make sure the DIN cable is not pinched between the radio and the CD player.
- Do not push in on the control switches or knobs.



15. Install the two 5 x 10 mm bolts, and tighten them securely.

16. Reinstall all removed parts.

17. Check that all wire harnesses are routed properly and all connectors are plugged in.

18. Reconnect the negative cable to the battery.

19. Enter the customer's radio anti-theft code, and reset the radio station presets.

20. Reset the clock.

21. Check the operation of the CD player according to the Owner's Manual supplied with the CD player.