



INSTALLATION INSTRUCTIONS

Accessory

CARGO COVER
P/N 08U35-SX0-100

Application

ODYSSEY

Publications No.

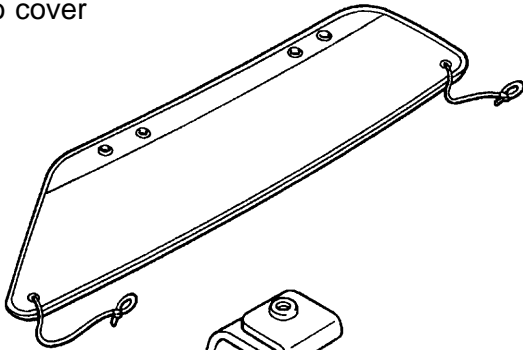
All 19303

Issue Date

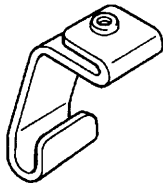
NOV 1997

PARTS LIST

Cargo cover



2 Hooks



2 Screws



TOOLS AND SUPPLIES REQUIRED

Eye protection (face shield, safety goggles, etc.)

Drill

5 mm Drill bit

Felt-tip pen

Metric tape measure

Phillips screwdriver

Utility knife

Flat file (less than 10 mm in width)

Center punch

Block of wood

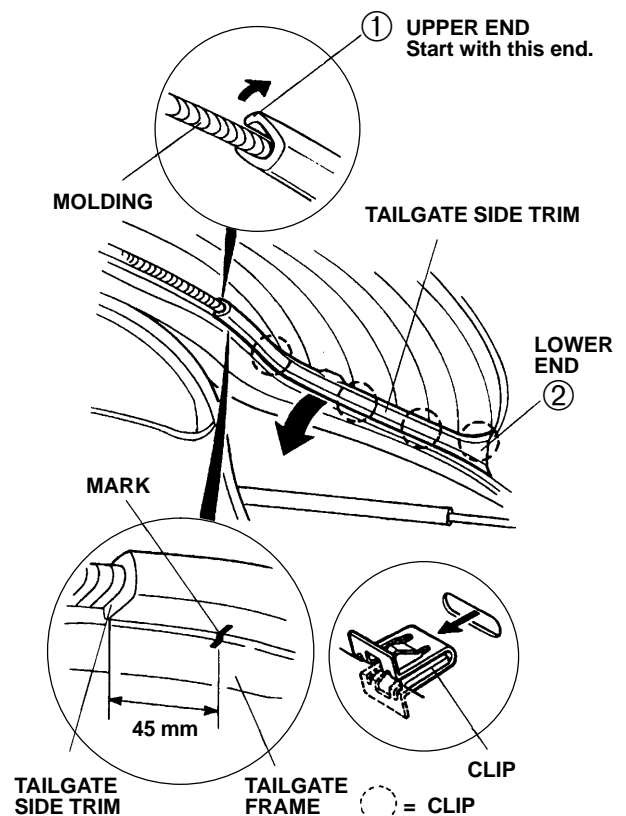
Touch-up paint

INSTALLATION

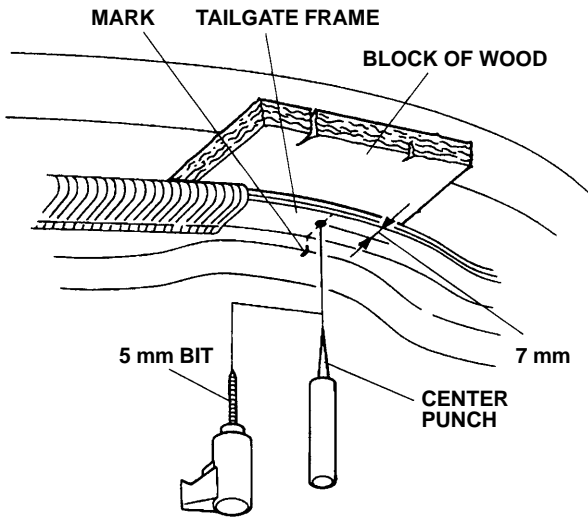
NOTE:

These instructions show the cargo cover hook being installed on right side of the vehicle. The same procedure applies to installing the cargo cover hook on the left side.

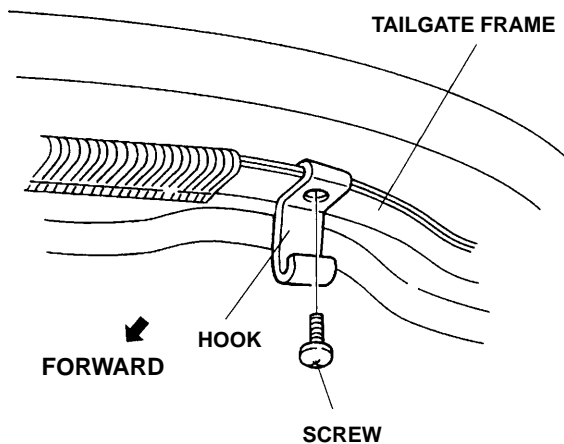
1. Open the tailgate.
2. From the upper end of the tailgate side trim, measure 45 mm toward the rear, and mark the trim and the tailgate frame at the measurement with a felt-tip pen.
3. Remove the tailgate side trim. Start with the upper end ①, and move toward the lower end ②.



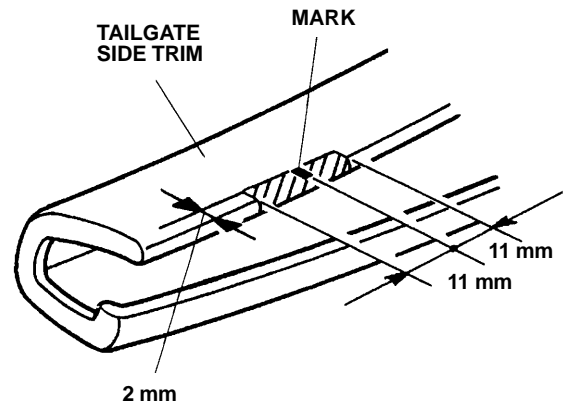
- From the mark you made on the tailgate frame in step 2, measure 7 mm and mark the frame. Lightly center-punch the mark.



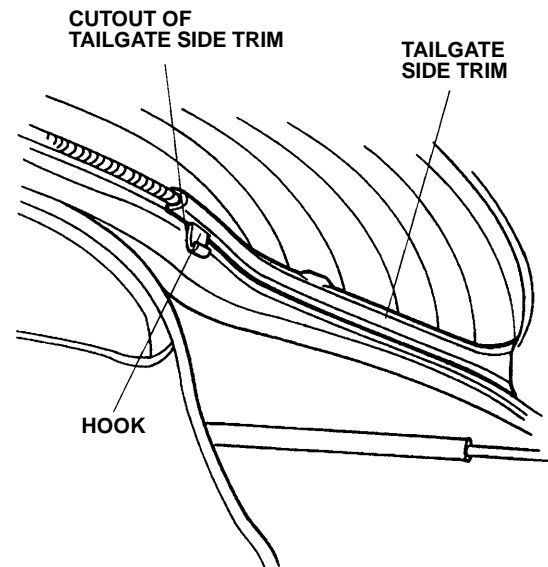
- Place a block of wood between the frame and the window glass.
- While wearing eye protection, drill a 5 mm hole through the center-punched mark. Remove all of the burrs, and apply touch-up paint. Do not damage the window glass with the drill bit.
- Position the hook from the kit over the 5 mm hole, and install the screw. Tighten the screw securely.



- From the mark you made on the tailgate side trim in step 2, measure 11 mm to each side and mark the trim at the measurements.

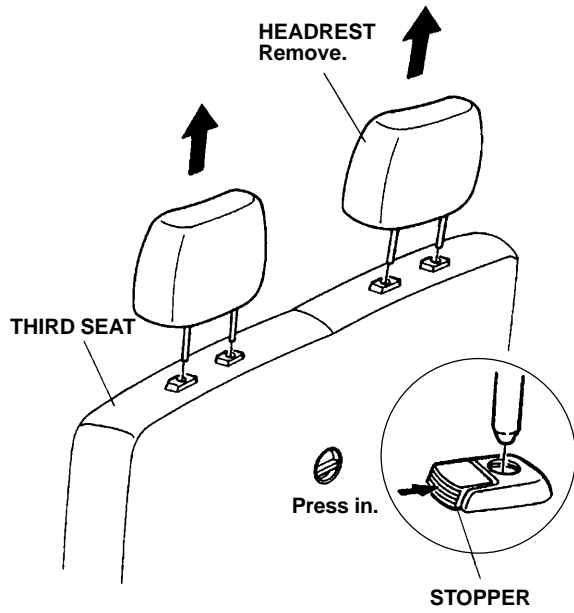


- Using a utility knife, cut out the marked area from the tailgate side trim. Finish the cutout smooth and flat with a flat file.
- Reinstall the tailgate side trim by aligning its cutout with the hook installed in step 7.

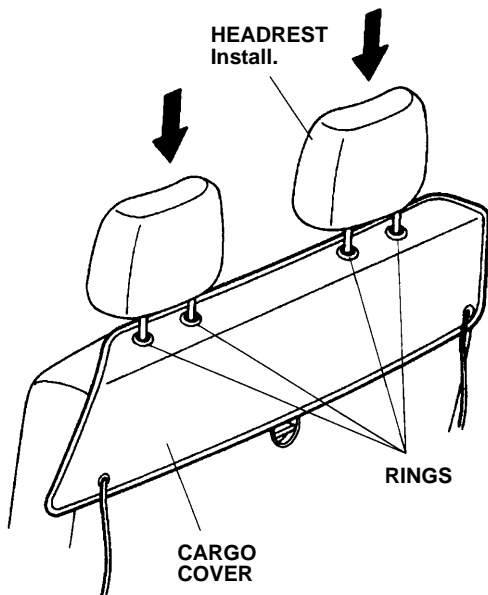


- Repeat steps 2 through 10 to install the cargo cover hook on the left side of the tailgate.

12. Remove the headrests from the third seat.



13. Place the cargo cover over the third seat; align its holes with the rings on the third seat. Reinstall the headrests.



14. Attach the string to the hook installed in step 7. Repeat on the other side.

