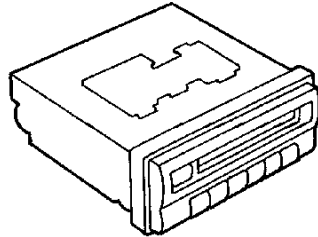
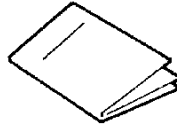
 HONDA INSTALLATION INSTRUCTIONS	Accessory IN-DASH CD CHANGER P/N 08A06-3B1-300	Application 2000 ODYSSEY	Publications No. All 20682
			Issue Date AUG 1999

PARTS LIST

Cassette player



Owner's Manual



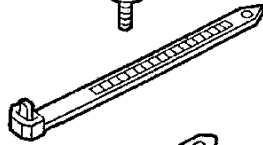
6 Washer-screws



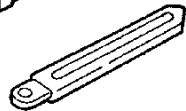
Washer-screw, 4 x 8 mm



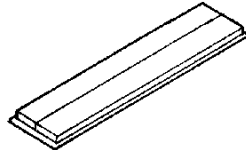
Wire tie (not used)



Harness clip



Adhesive strips



TOOLS REQUIRED

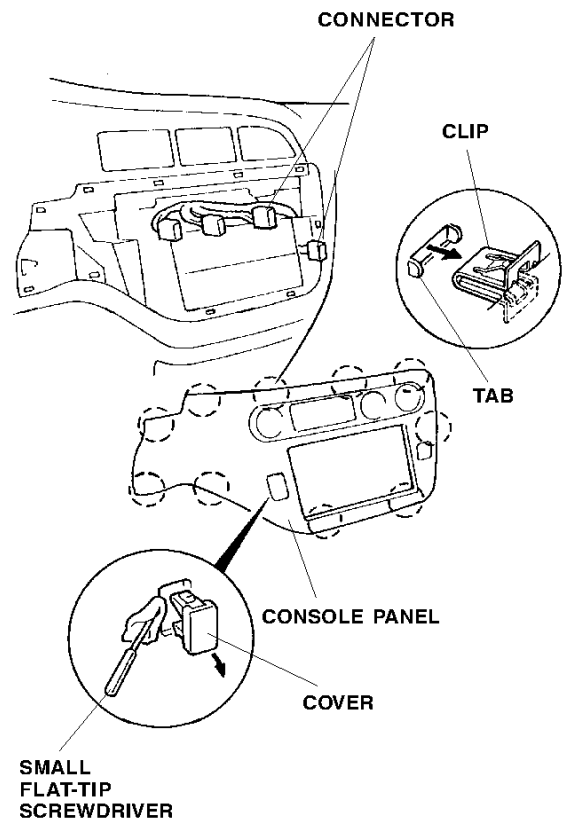
Phillips screwdriver
 Small flat-tip screwdriver

INSTALLATION

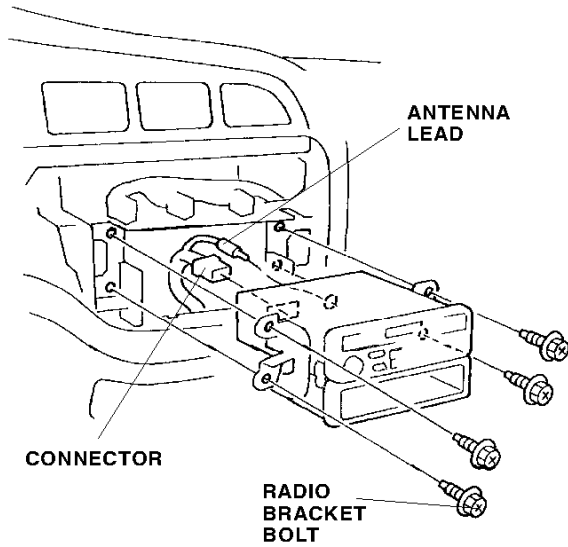
1. Make sure you have the anti-theft code for the radio, then write down the frequencies for the preset buttons.
2. Disconnect the negative cable from the battery.

3. Remove the console cover:

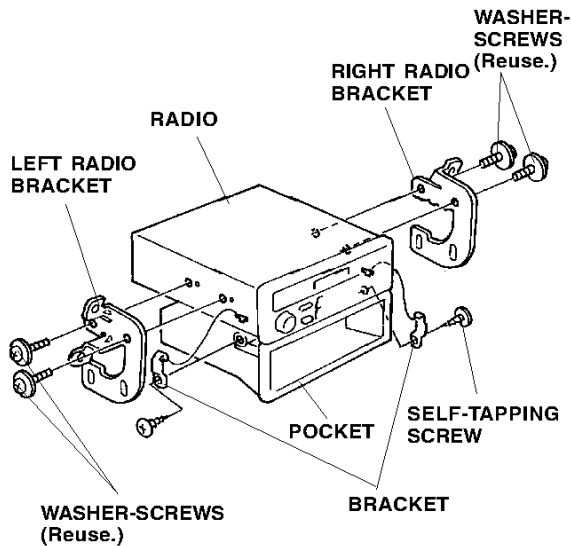
- Move the gear selector lever to the 1 position.
- Using a small flat-tip screwdriver around a shop towel, gently pry out and remove the cover.
- Reach inside the cover hole, gently pull along the bottom to release the lower clips, and work toward the top to release all 10 clips.
- Pull out on the console panel, unplug the connectors, and remove the panel.



4. Remove the radio (four bolts, and unplug the connector and antenna lead).

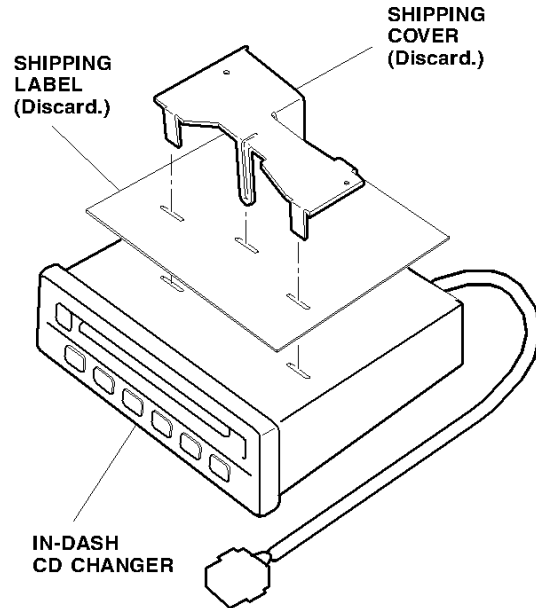


5. Remove the left and right radio brackets (two washer-screws for each bracket).

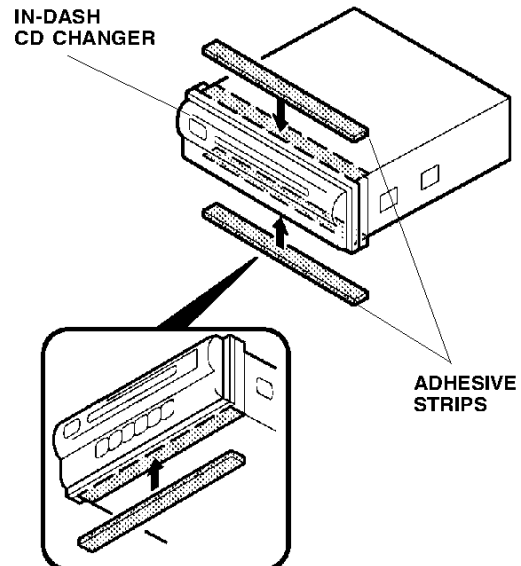


6. Remove the pocket (two self-tapping screws), then separate the radio and pocket. Set the pocket aside, it will not be reused.

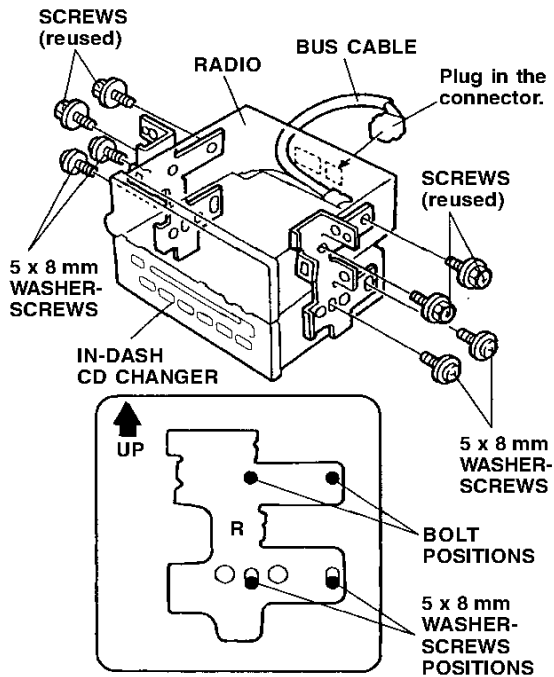
7. Unpack the in-dash CD changer. While wearing gloves, lift up and remove the shipping cover and label. Discard the shipping cover and label.



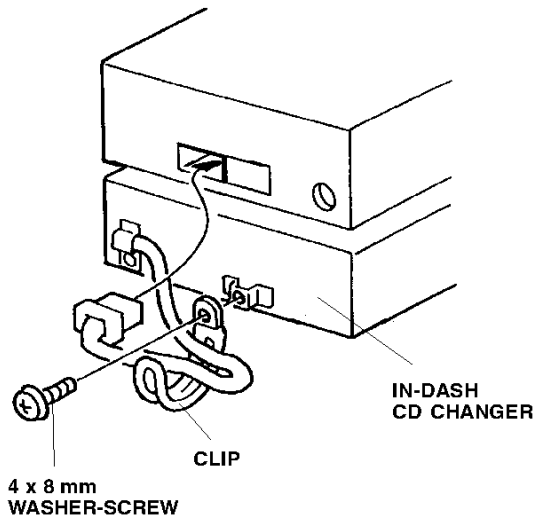
8. Remove the adhesive strips, and attach them to the top and bottom edges of the in-dash CD changer.



- Position the radio on the in-dash CD changer, then assemble the in-dash CD changer and the radio with the brackets and the four screws you removed in step 5 and the four 5 x 8 mm washer-screws provided.

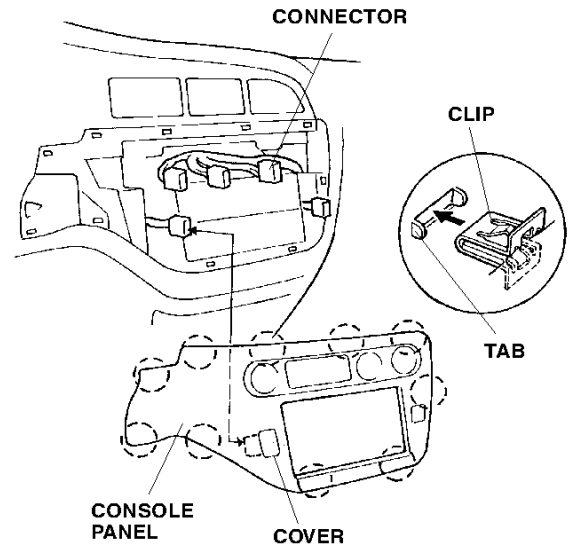


- Attach the harness clip to the back of the in-dash CD changer with one 4 x 8 mm washer-screw.



- Fold the bus cable in half, and secure it with the harness clip.

- Reinstall the radio using the four bolts removed in step 4.
- Reinstall the console panel; be careful not to damage the tabs.



- Reconnect the negative cable to the battery.
- Check the operation of the in-dash CD changer according to its Owner's Manual.
- Enter the radio anti-theft code, and reset the customer's radio station presets.
- Reset the clock.
- Put the in-dash CD changer Owner's Manual in the glove box.