

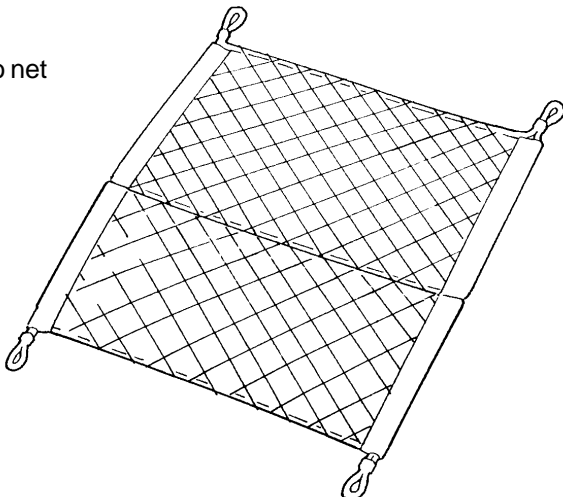


INSTALLATION INSTRUCTIONS

Accessory CARGO NET P/N 08L96-S0X-100H	Application ODYSSEY	Publications No. All 22027
		Issue Date AUG 2000

PARTS LIST

Cargo net



2 Hooks A



2 Hooks B



2 Self-tapping screws



2 Studs



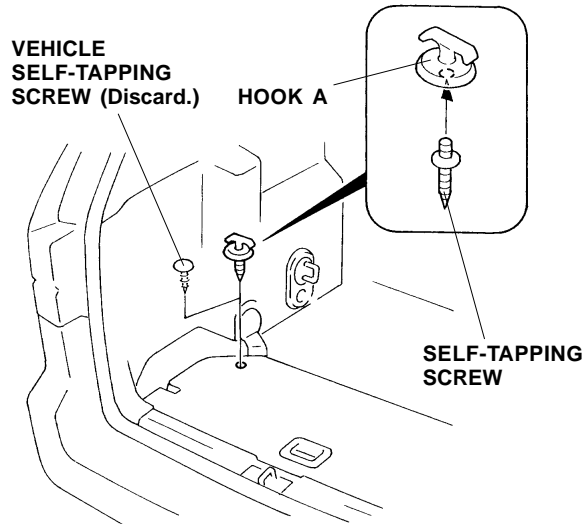
TOOL REQUIRED

Phillips screwdriver

INSTALLATION

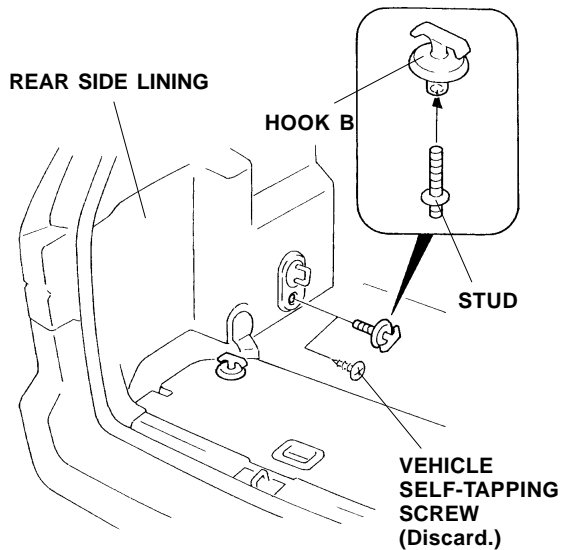
1. Open the tailgate.

2. Remove the self-tapping screw in the floor.



3. Thread one self-tapping screw from the kit into hook A, and install hook A into the hole where the self-tapping screw was removed in step 2.

4. Remove the self-tapping screw securing the vehicle's hook.

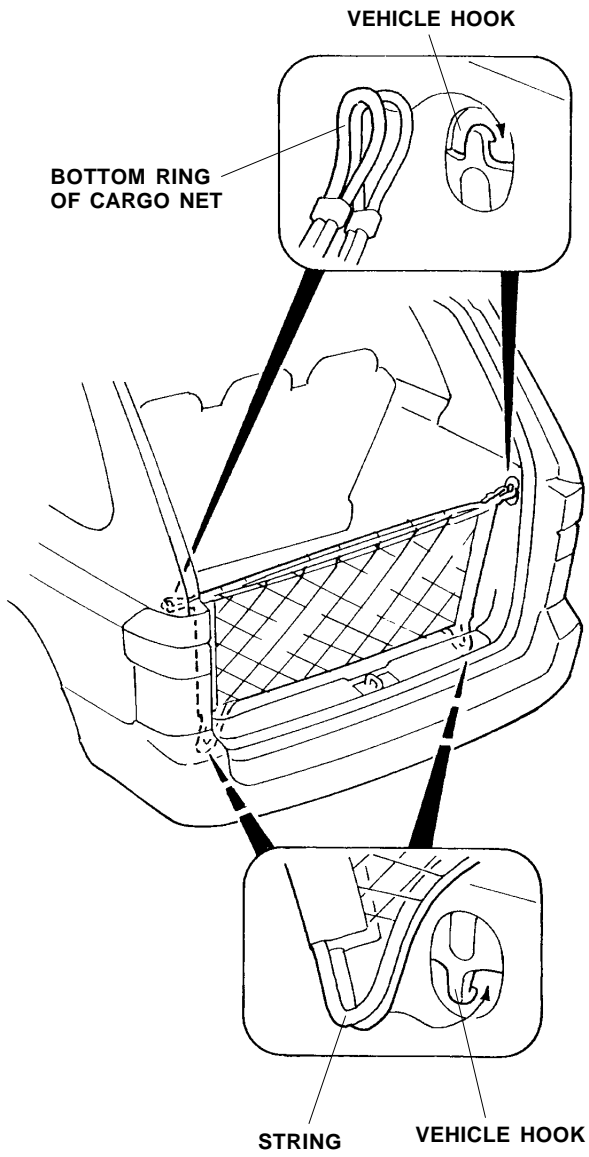


5. Thread one stud into hook B, then install hook B into the hole where the self-tapping screw was removed in step 4.

6. Repeat steps 2 through 5 to install hooks A and B on the opposite side.

How to Attach the Cargo Net:

When Vehicle Hooks Are Used



When Hooks A and B Are Used

