

**INSTALLATION  
INSTRUCTIONS**

Accessory

**TRAILER HITCH  
P/N 08L92-S0X-100**

Application

**ODYSSEY**

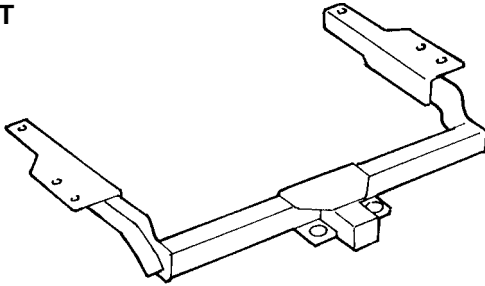
Publications No.

**All 22049**

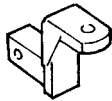
Issue Date

**AUG 2000****PARTS LIST**

Trailer hitch



Ball mount



Hitch pin



Hitch pin clip



6 Bolts, 12 x 40 mm



6 Lock washers, 12 mm



6 Plain washers, 12 mm



Trailer hitch harness

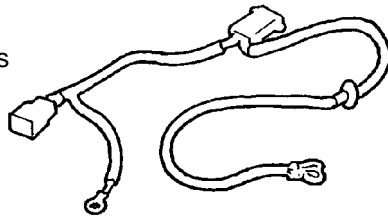


Plate R

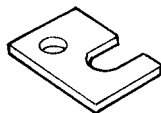
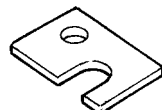
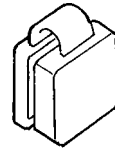
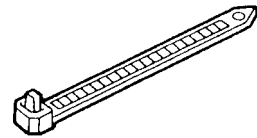


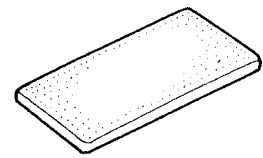
Plate L



Receiver cover

2 Small wire ties  
(1 not used)

7 Cushion tapes



Washer-bolt, 6 x 12 mm



Flange nut, 6 mm

**TOOLS AND SUPPLIES REQUIRED**

Phillips screwdriver

Ratchet

5 mm, 6 mm, 12 mm, and 19 mm Sockets

Utility knife

Clip remover

Sandpaper

Torque wrench

Drill

17 mm Hole saw

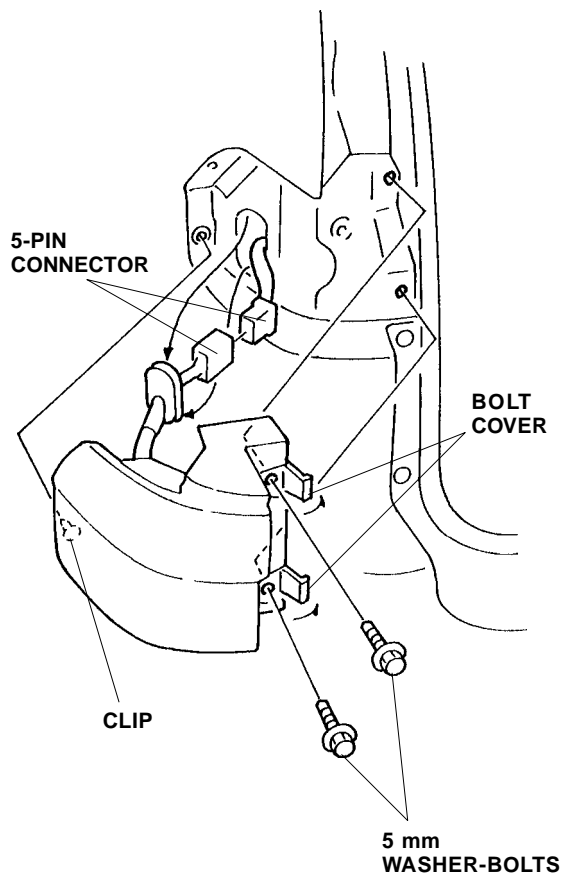
Gloves

Piece of cardboard

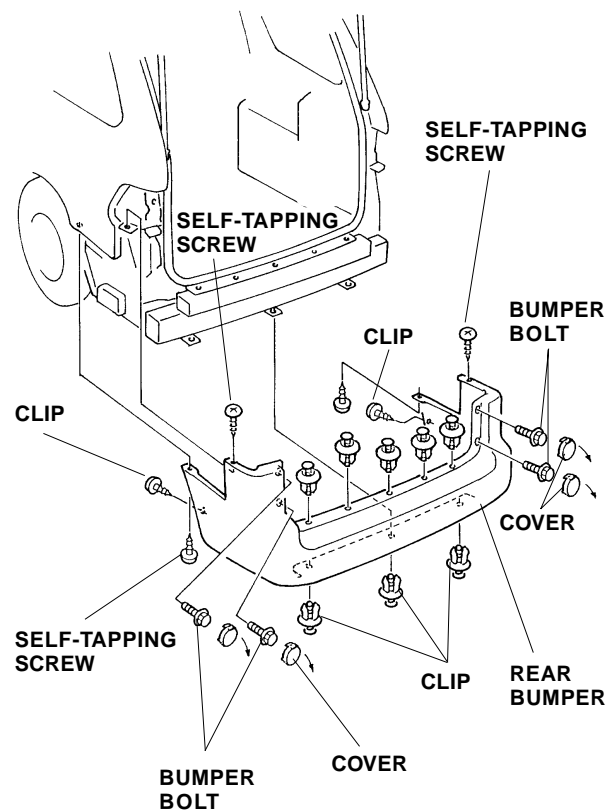
## INSTALLATION

**Customer Information:** The information in this installation instruction is intended for use only by skilled technicians who have the proper tools, equipment, and training to correctly and safely add equipment to your vehicle. These procedures should not be attempted by "do-it-yourselfers."

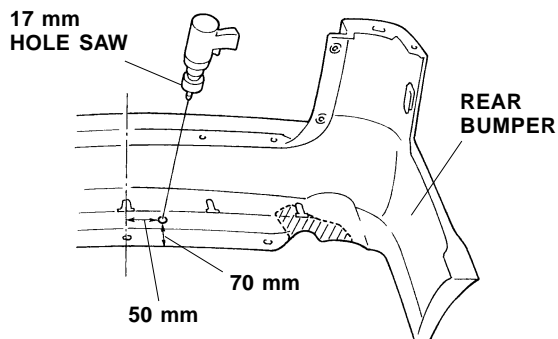
1. If equipped, make sure you have the anti-theft code for the radio, then write down the frequencies for the radio.
2. Disconnect the negative cable from the battery.
3. Remove the rear taillights:
  - Using a flat-tip screwdriver, pry open the two bolt covers.
  - Remove the two 5 mm washer-bolts, and pull the taillight out toward you to release the clip.
  - Unplug the 5-pin connector and remove the taillight.
  - Repeat on the other side.



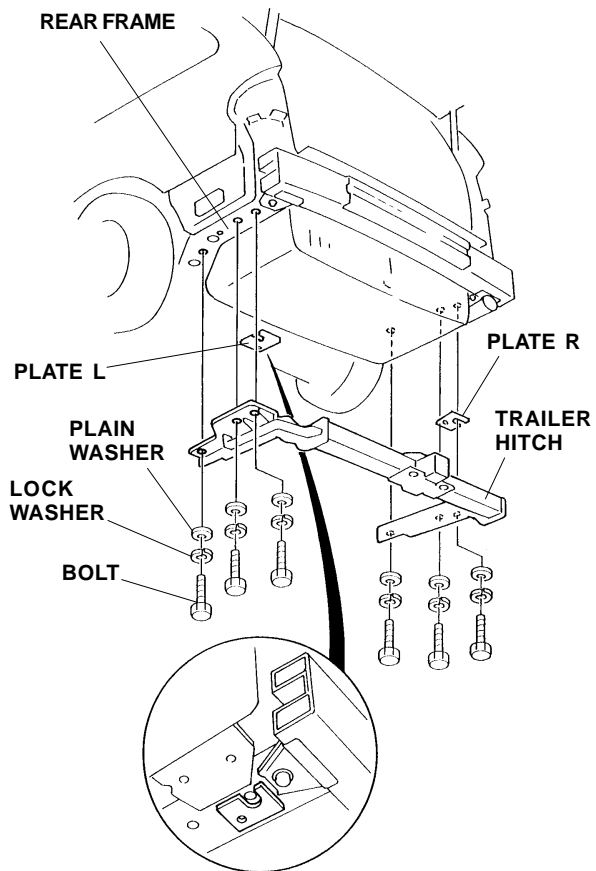
4. Remove the rear bumper:
  - Remove the eight clips along the top and bottom of the bumper.
  - Remove the four screws (two on each side) from the top at the taillight area and from the bottom near the rear wheel.
  - Using a clip remover, pry out and remove one clip from each fenderwell.
  - Using a flat-tip screwdriver, pry out and remove the bumper bolt covers, then remove the four bumper bolts.
  - With the help of an assistant, release the bumper from the fenderwell, and slide the bumper away from the vehicle.
  - Set the bumper on a piece of cardboard.



- On the inside of the rear bumper, locate the scribed line on each side of the bumper. Using a utility knife, cut out the marked areas.

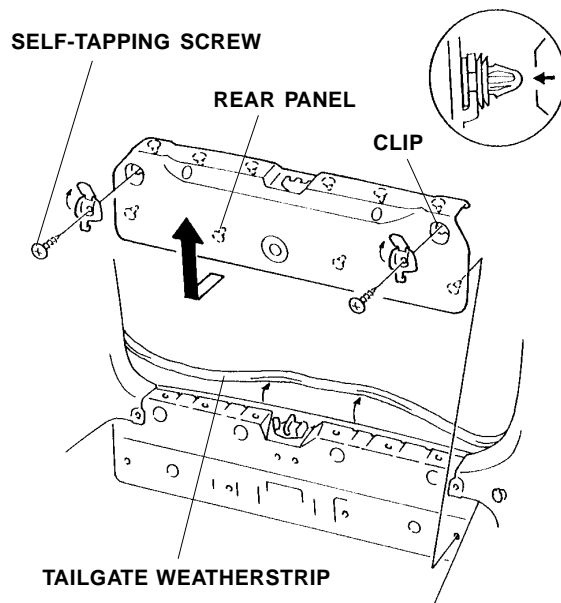


- In the center of the bumper, measure and mark the bumper as shown.
- While wearing eye protection, use a hole saw to drill a 17 mm hole through the bumper.
- Install the trailer hitch to the rear frame, using the six 12 x 40 mm bolts, lock washers, and plain washers. Place plate L and plate R between the frame and the hitch on the left and right sides at the rear bolts.

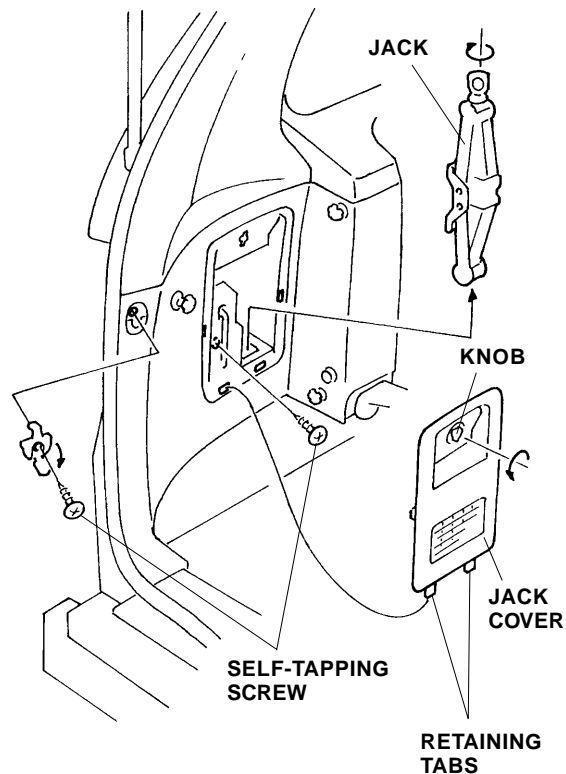


- Torque the trailer hitch bolts to 79 N•m (7.9 kgm, 58 lb-ft).

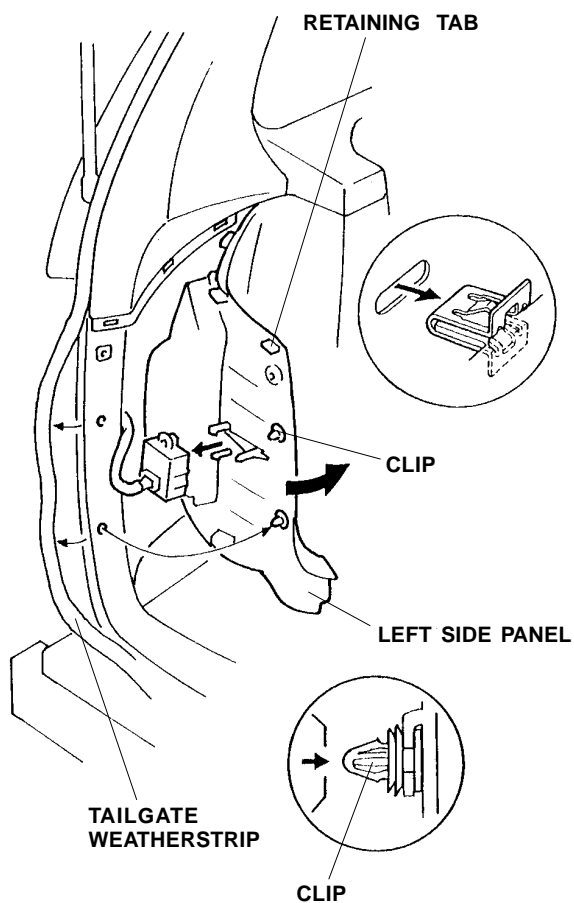
- Remove the tailgate weatherstrip and rear panel (ten clips and two self-tapping screws).



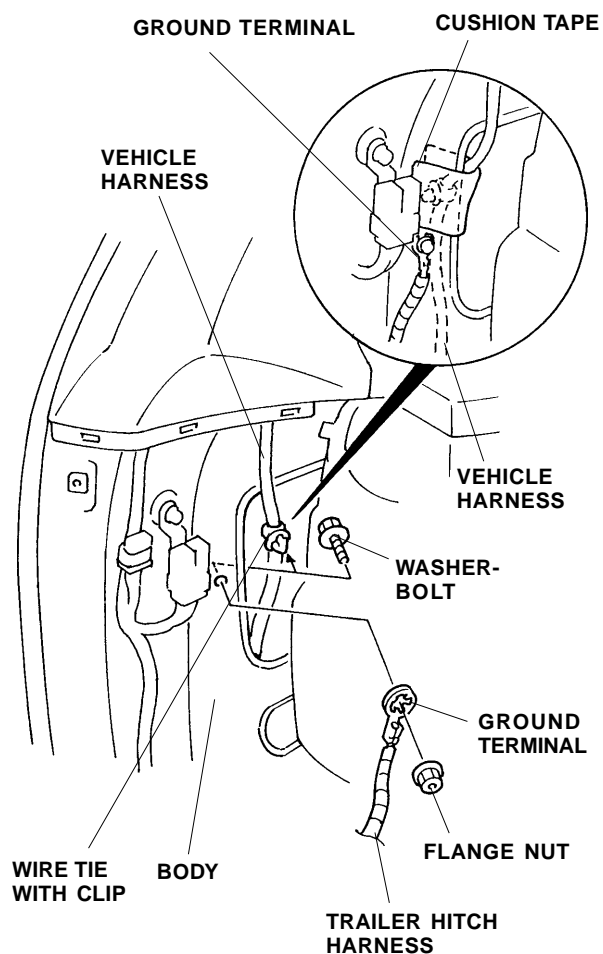
- Remove the jack cover and the jack (one knob and four retaining tabs).
- Remove the two self-tapping screws.



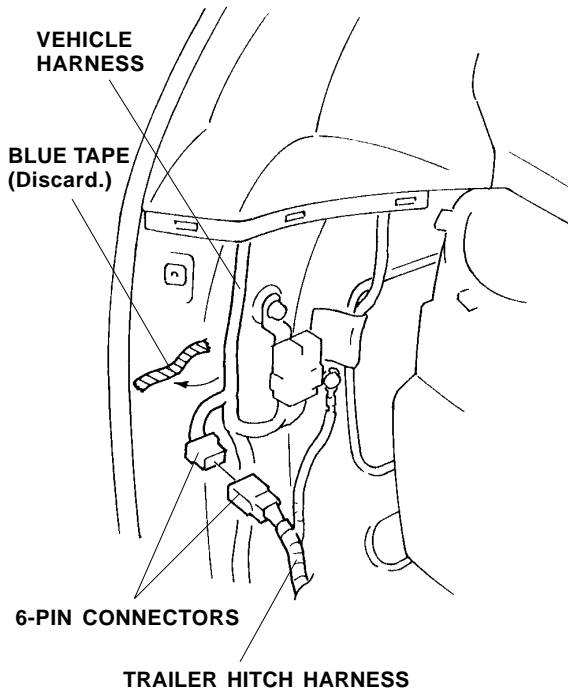
13. Pry up on the two clips and the three retaining tabs, and pull out the left side panel.



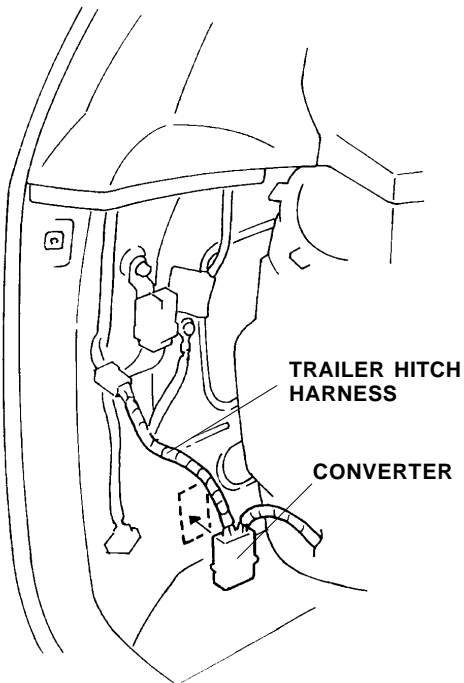
14. Remove the wire tie with clip, securing the vehicle harness, from the body hole; then secure the harness to the body with one cushion tape.
15. Using sandpaper, remove the paint from around the body hole where the clip was removed.
16. Attach the ground terminal of the trailer hitch harness to the body hole with the washer-bolt, toothed washer and flange nut from the kit. Tighten the bolt securely.



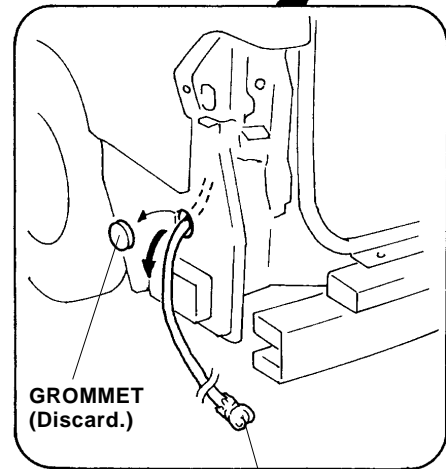
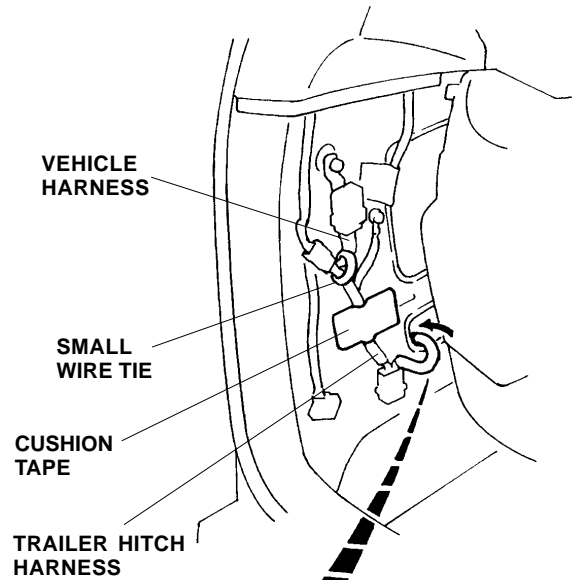
17. Locate the 6-pin connector blue-taped to the vehicle harness, and remove the blue tape to free the connector. Plug the 6-pin connector of the trailer hitch harness into the 6-pin connector you just freed.



18. Remove the adhesive backing from the converter of the trailer hitch harness, and attach it to the body in the area shown.

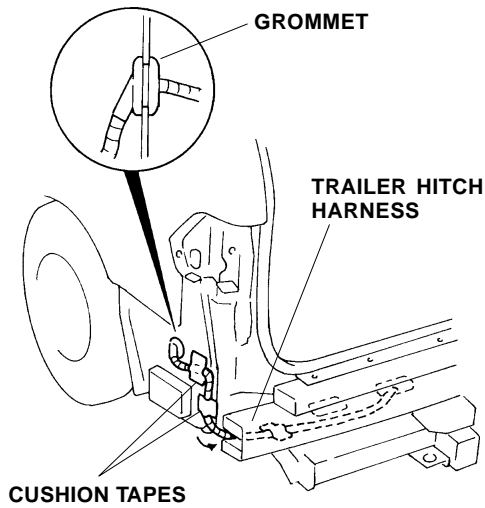


19. Secure the trailer hitch harness to the vehicle harness with one small wire tie; then secure the harness to the body with one cushion tape in the area shown.

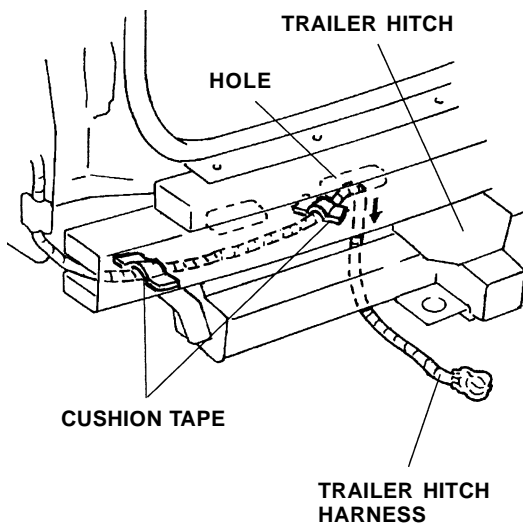


20. Remove and discard the grommet from the rear of the outside panel, and route the trailer harness out through the grommet hole.

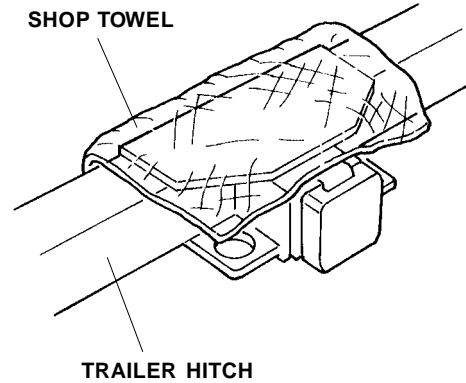
21. Seat the grommet on the trailer hitch harness into the body hole where the grommet was removed.
22. Secure the trailer hitch harness with two cushion tapes in the areas shown; then route the harness through the center of the bumper frame.



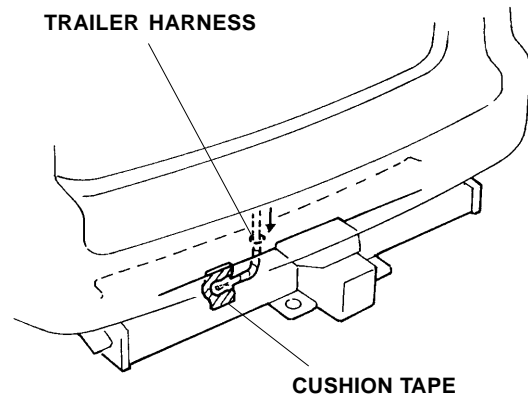
23. Continue routing the trailer hitch harness through the center bumper frame and out through the hole in the back. Secure the trailer hitch harness to the center bumper frame with two cushion tapes.



24. Place a shop towel over the trailer hitch. Route the trailer hitch harness through the hole in the bumper you drilled in step 7; then reinstall the rear bumper.



25. Secure the trailer harness to the back of the trailer hitch with the cushion tape.



26. Install the receiver cover on the trailer hitch, then slide the ball mount into the trailer hitch, and secure with the hitch pin and hitch pin clip.

