

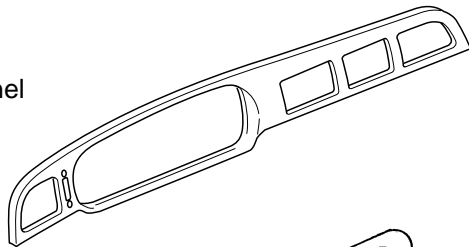


# INSTALLATION INSTRUCTIONS

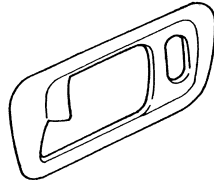
Accessory	Application	Publications No.
<b>WOOD-GRAIN FRONT TRIM KIT</b> P/N 08Z03-S0X-100A	<b>ODYSSEY</b>	<b>All 22051</b>
		Issue Date <b>DEC 2000</b>

## PARTS LIST

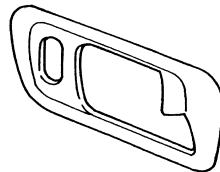
Wood-grain instrument panel



Wood-grain left door handle trim



Wood-grain right door handle trim



## SUPPLIES REQUIRED

- Isopropyl alcohol
- Shop towel
- Masking tape

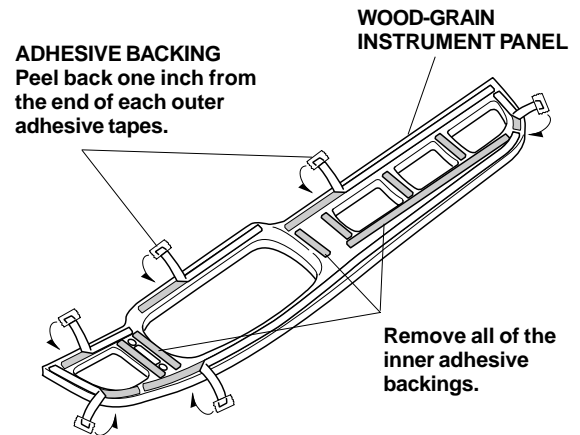
## INSTALLATION

NOTE: This wood panel kit should be installed only if the ambient air temperature is 60°F (15°C) or above.

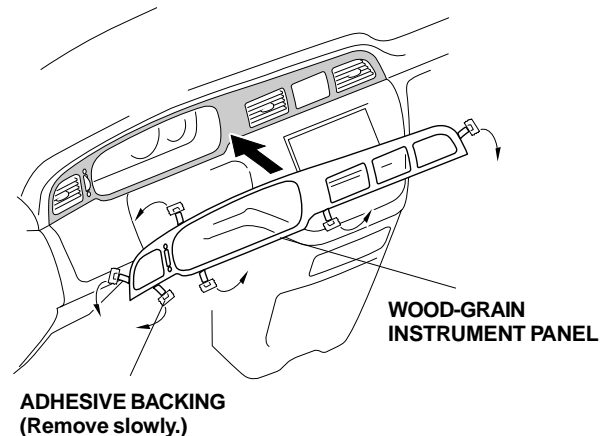
### Installing the Wood-Grain Instrument Panel

- Using isopropyl alcohol on a shop towel, thoroughly clean the mating surfaces of the instrument panel on the dashboard.

- Remove all inner adhesive tape backings from the wood-grain instrument panel. Peel one inch from the end of each adhesive backing on the outer adhesive tapes, and attach them to the front of the instrument panel with masking tape.



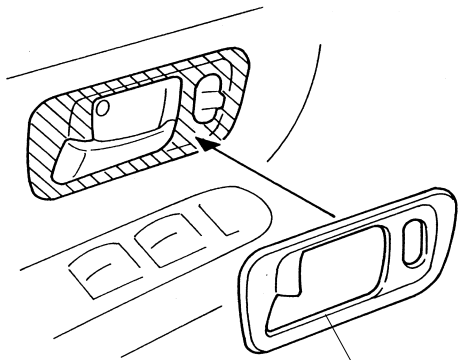
- Attach the wood-grain instrument panel to the vehicle instrument panel:
  - Position the wood-grain instrument panel on the vehicle instrument panel, and adjust its location. When you are satisfied that the instrument panel is positioned properly hold light pressure against the center of the wood-grain instrument to hold it in position.



- While holding light pressure against the wood-grain instrument panel, slowly and carefully remove each piece of adhesive backing.
- Using the palm of your hand, firmly push the wood-grain instrument panel in several places where the adhesive tapes are attached.

## Installing the Wood-Grain Door Handle Trims

- Using isopropyl alcohol on a shop towel, thoroughly clean the mating surfaces on both door handle panels.
- Remove all adhesive tape backings from the left wood-grain instrument door handle trim. Position the left wood-grain door handle trim on the left (driver's) side door handle trim. When you are satisfied that the left wood-grain instrument door handle trim is positioned properly, attach it to the door handle trim.



**LEFT DOOR  
HANDLE PANEL**  
(Remove all the  
adhesive backings  
before attaching.)

- Using the palm of your hand, firmly push the wood-grain door handle trim in several places where the adhesive tapes are attached.
- Repeat steps 5 and 6 to install the right wood-grain door handle trim on the right (passenger's) side of the vehicle.