



# INSTALLATION INSTRUCTIONS

Accessory

SUBWOOFER

Application

2004 PILOT  
(LX only)

Publications No.

**All 25876**

Issue Date

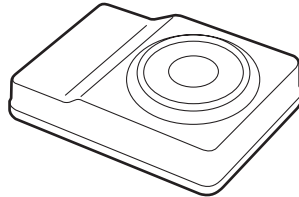
**AUG 2003**

The subwoofer cannot be installed on a vehicle equipped with a navigation unit.

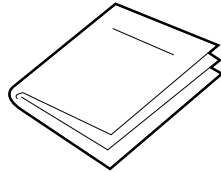
## PARTS LIST

**Compact Subwoofer Kit:  
P/N 08A39-5E1-010**

Subwoofer

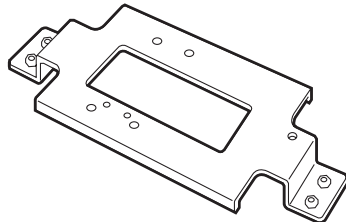


Owner's manual

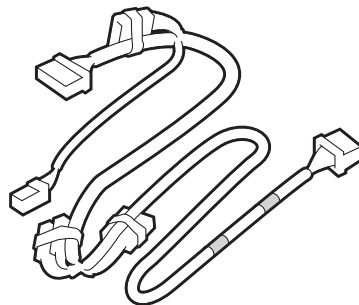


**Subwoofer Attachment Kit:  
P/N 08B39-S9V-100**

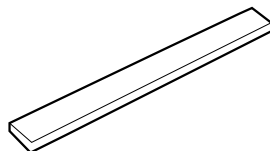
Subwoofer bracket



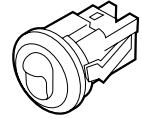
Subwoofer harness



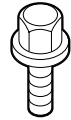
3 Cushions



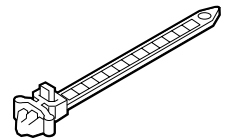
Subwoofer switch



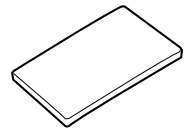
4 Flange bolts, 6 x 12 mm



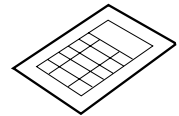
8 Wire ties with clip



3 Cushion tapes



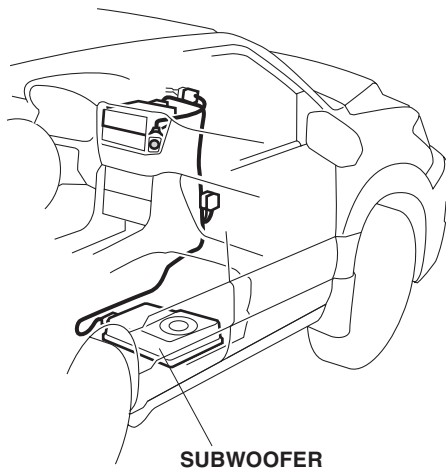
Fuse seal



## TOOLS AND SUPPLIES REQUIRED

#2 Phillips screwdriver  
Flat-tip screwdriver  
Stubby Phillips screwdriver  
8 mm, 10 mm, and 14 mm Combination wrenches  
8 mm, 10 mm, and 14 mm Sockets  
Felt-tip pen  
Awl  
Drill  
3 mm drill bit  
Isopropyl alcohol  
Tape measure  
Center punch  
Ratchet  
Torque wrench  
Shop towel  
Diagonal cutters  
Utility knife  
13/16" (20 mm) Hole saw  
Available through the Honda tool and equipment program at (888) 424-6857  
Hole saw 13/16" (20 mm) P/N: LHS26D  
Arbor P/N: LHS1C

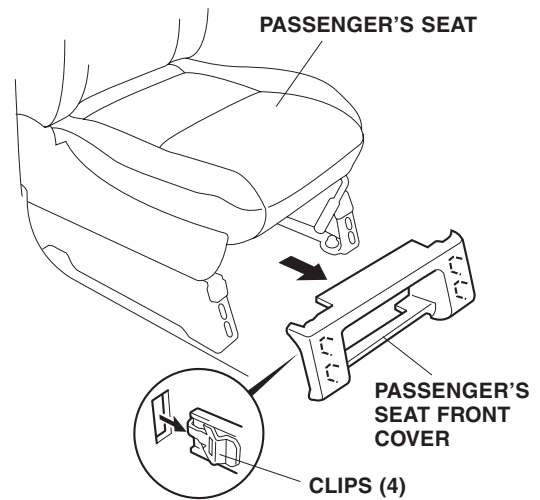
## Illustration of the Subwoofer Installed on the Vehicle



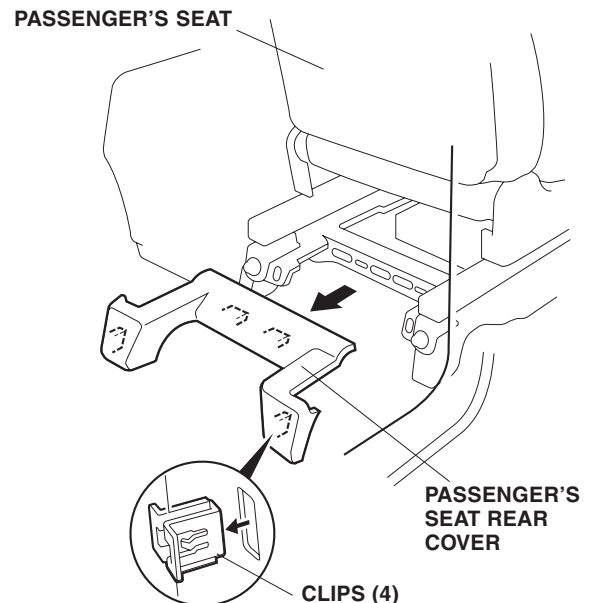
## INSTALLATION

**Customer Information:** The information in this installation instruction is intended for use only by skilled technicians who have the proper tools, equipment, and training to correctly and safely add equipment to your vehicle. These procedures should not be attempted by "do-it-yourselfers."

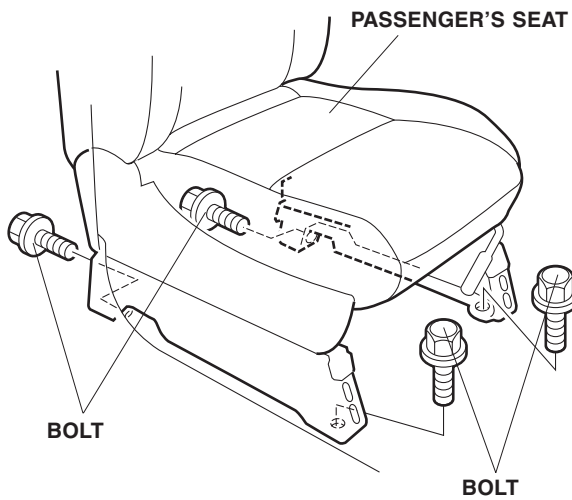
1. Make sure you have the anti-theft code for the radio, then write down the frequencies for the preset buttons.
2. Disconnect the negative cable from the battery.
3. Remove the passenger's seat front cover (pull to release the four clips).



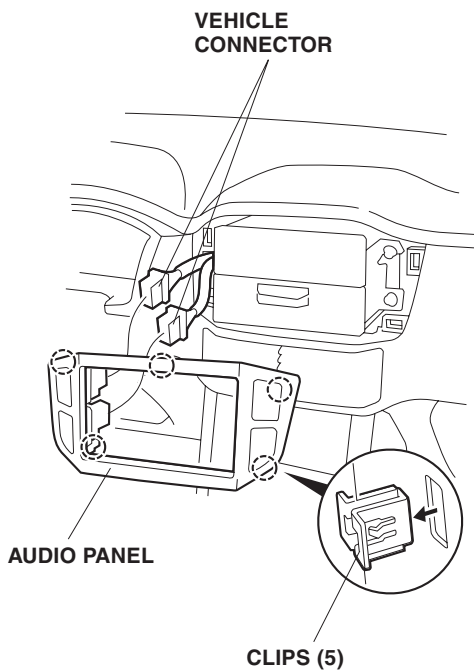
4. Remove the passenger's seat rear cover (pull to release the four clips).



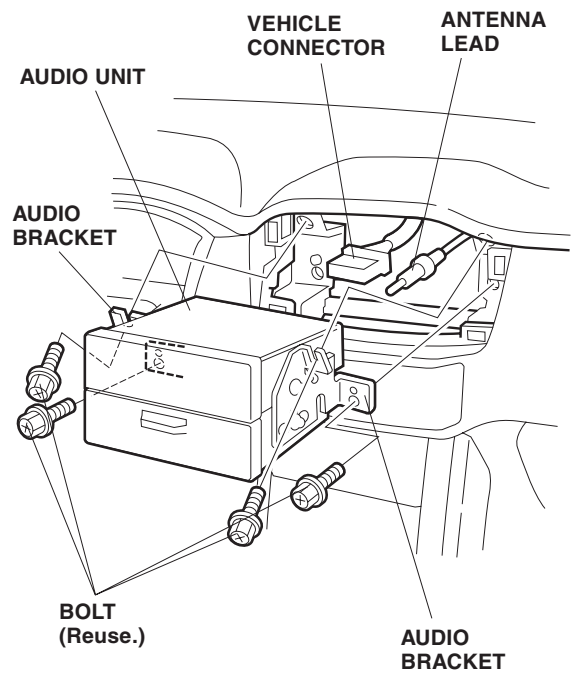
- Remove the four bolts that secure the passenger's seat side mounting brackets to the floor. Tilt the passenger's seat back and out of the way.



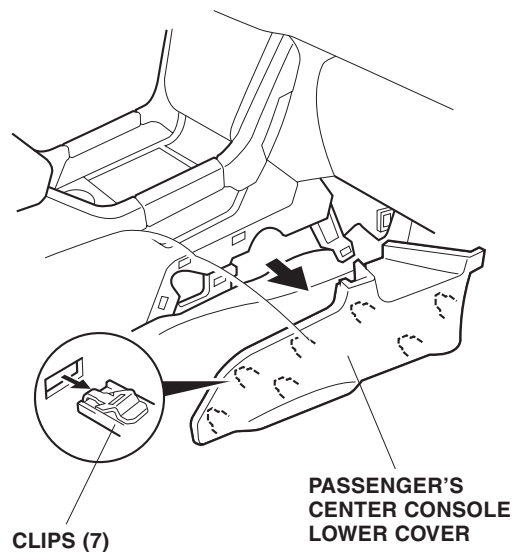
- Using a flat-tip screwdriver wrapped with a shop towel, gently pry out on the audio panel to remove the five clips. Unplug the vehicle connectors and remove the audio panel.



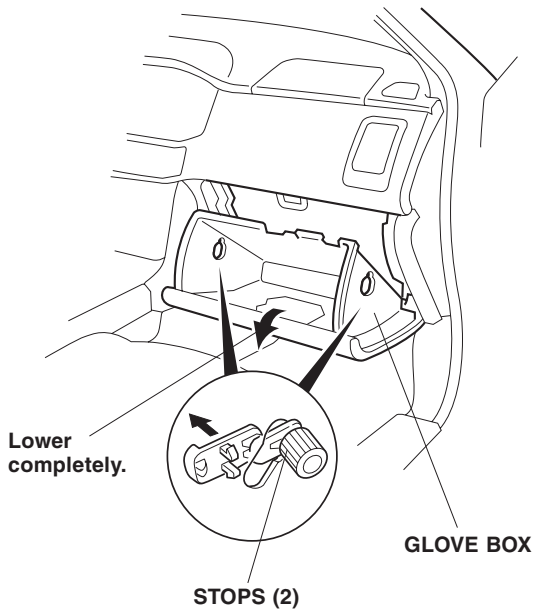
- Remove the four bolts that fasten the audio brackets. Pull the audio unit out toward you, unplug the vehicle connector and the antenna lead and remove the audio unit.



- Pry up on the seven clips, and remove the passenger's center console lower cover.

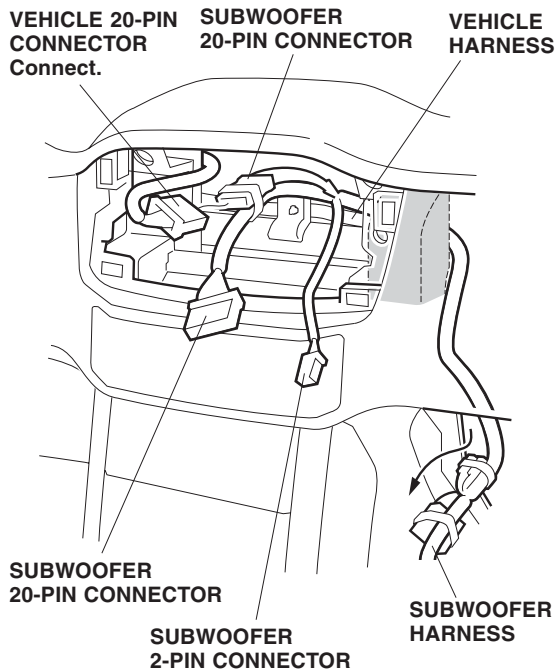


- Lower the glove box by removing the right and left stops.



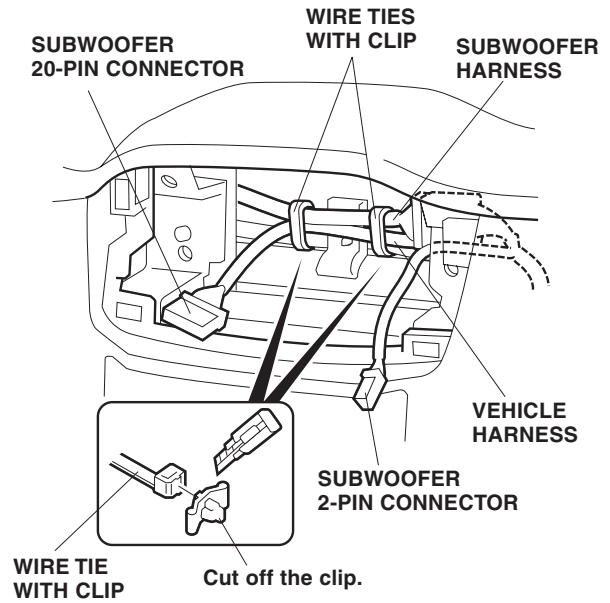
### Routing the Subwoofer Harness

- From the audio unit opening, route the subwoofer harness to the bottom of the glove box opening.

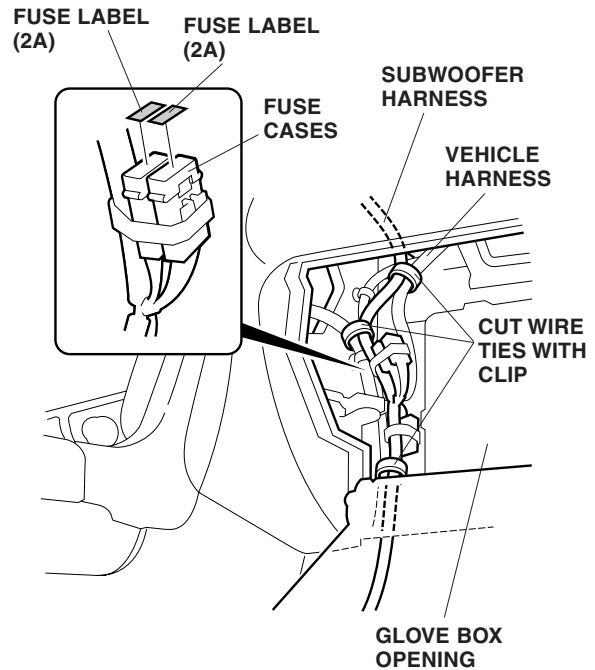


- Plug the subwoofer harness 20-pin connector into the vehicle 20-pin connector.

- Get five wire ties with clip from the kit. Using a utility knife, cut off the clips from the wire ties with clip at the area shown.

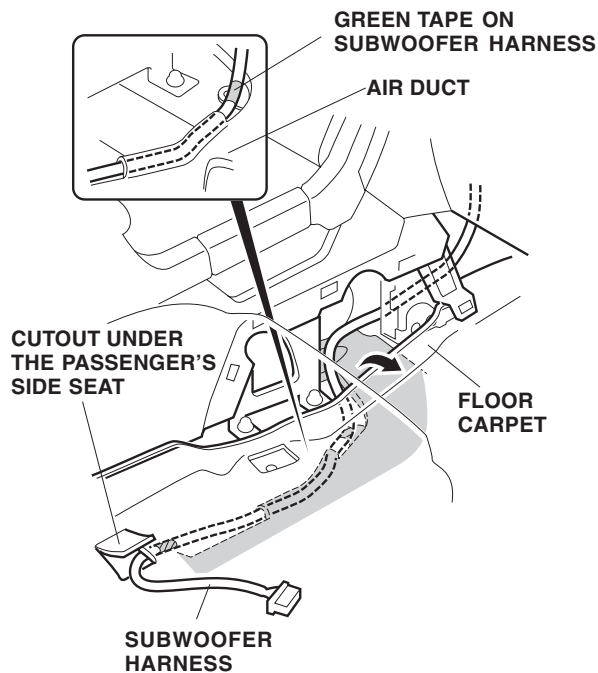


- Secure the subwoofer harness to the vehicle harness with two cut wire ties with clip.
- At the bottom of the glove box opening, secure the subwoofer harness to the vehicle harness with the remaining three cut wire ties with clip.

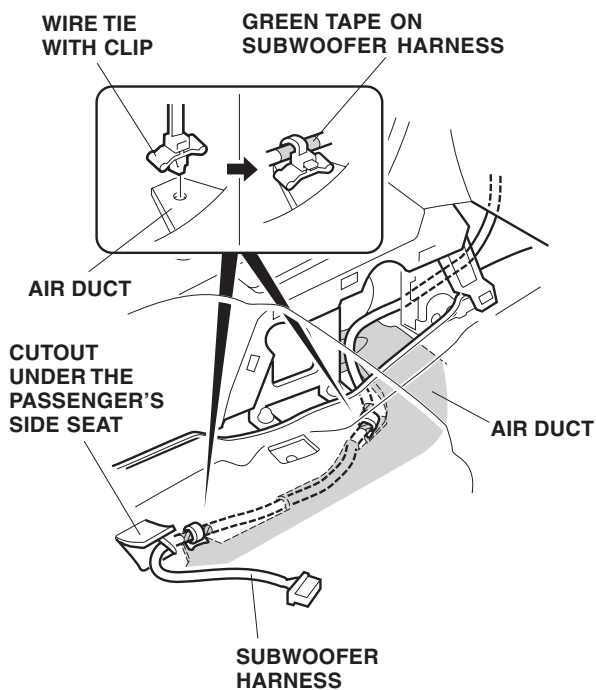


- Install the 2A fuse labels to the fuse cases on the subwoofer harness.

- Lift up the carpet. Route the subwoofer harness down and under the carpet and out through the cutout under the passenger's seat. Align the green tape on the harness with the location shown.



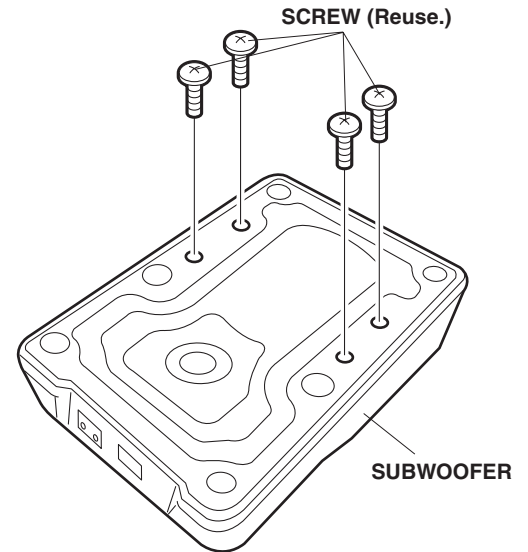
- Get two wire ties with clip. Push the clip of each wire tie into the holes in the air duct.



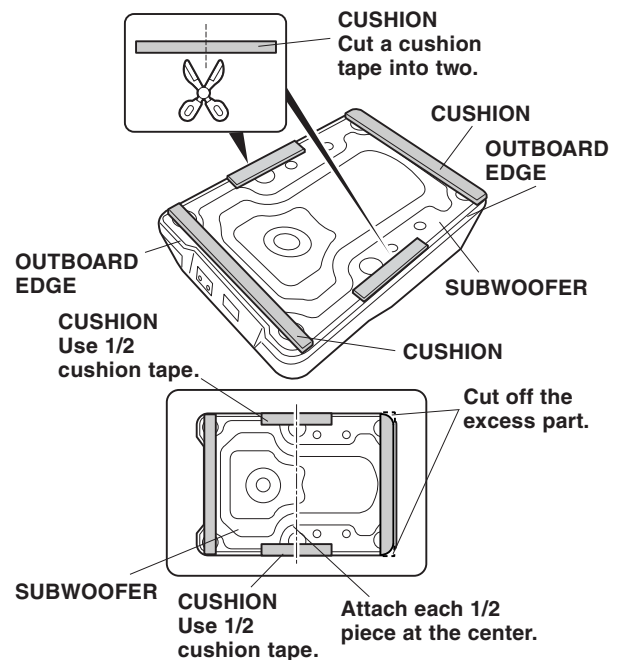
- Secure the subwoofer harness with the two wire ties with clip at the green tape locations.

## Installing the Subwoofer Bracket

- Remove and retain the four screws from the subwoofer.

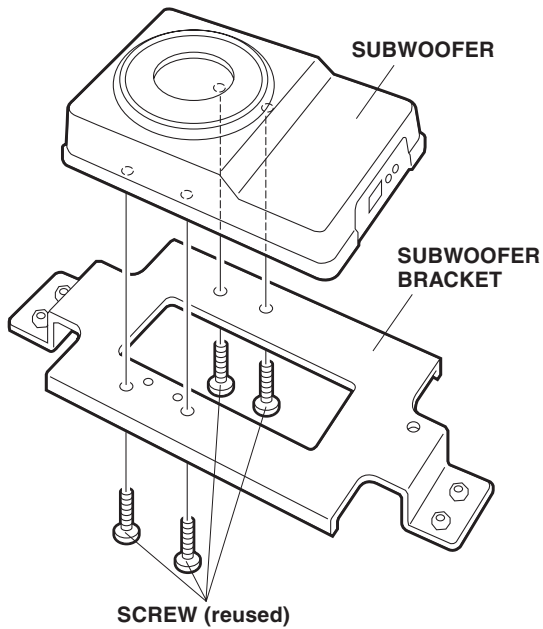


- Using isopropyl alcohol on a shop towel, thoroughly clean the areas where the small cushion tapes will attach. Attach one small cushion tape to each outboard edge of the subwoofer. Cut the excess cushion tape off of the rounded edges of the subwoofer.

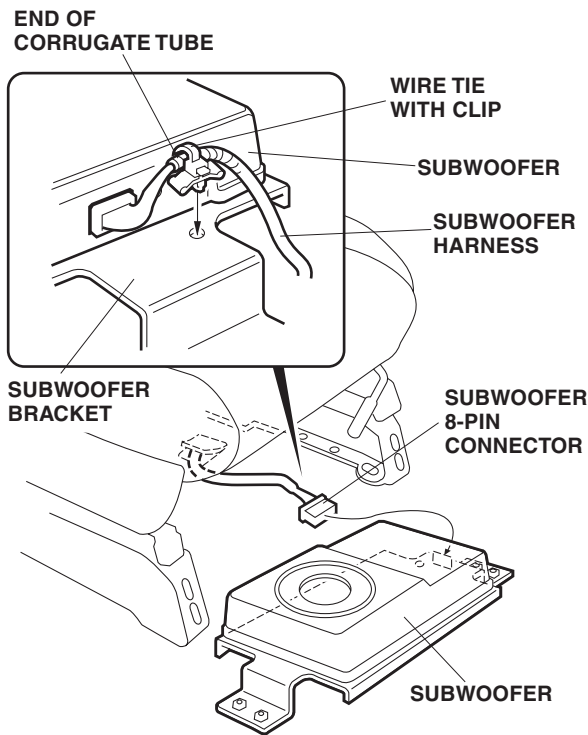


- Using scissors, cut the remaining small cushion tape in two pieces. Attach the two cut pieces to the sides of the subwoofer in the areas shown.

22. Position the subwoofer on the subwoofer bracket, and install the subwoofer to the subwoofer bracket using the four screws you removed in step 19.

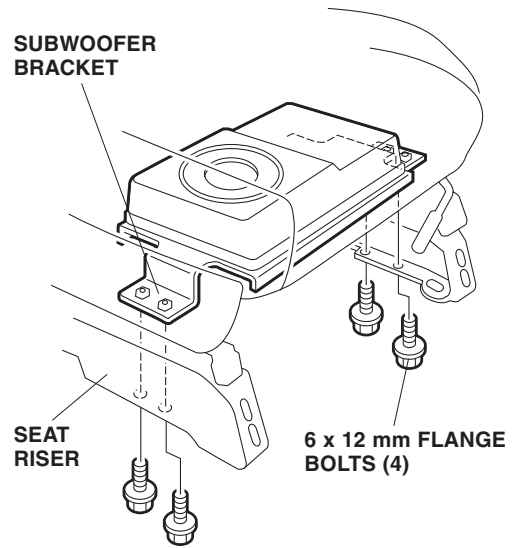


23. Plug the subwoofer harness 8-pin connector into the subwoofer.



24. Attach one wire tie with clip to the subwoofer harness at the end of corrugate tube, then push the clip into the hole in the subwoofer bracket.

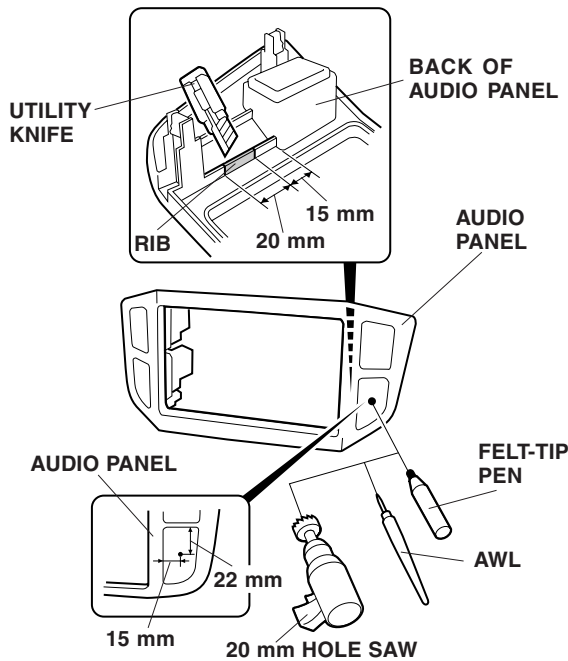
25. Attach the subwoofer assembly to the seat riser with four 6 x 12 mm flange bolts from the attachment kit.



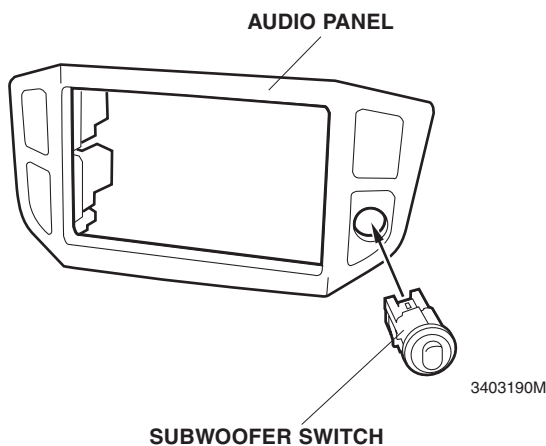
26. Reinstall the passenger's seat and torque the seat bolts to 35 N·m (25 lbf·ft). Reinstall the front and rear covers.

## Installing the Subwoofer Switch

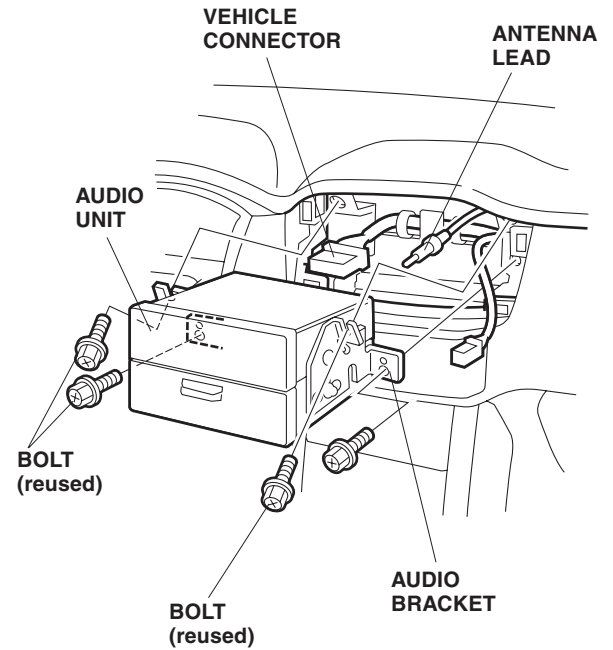
27. Get the audio panel removed in step 6. Using a utility knife, cut off the rib from the back of the audio panel in the area shown.



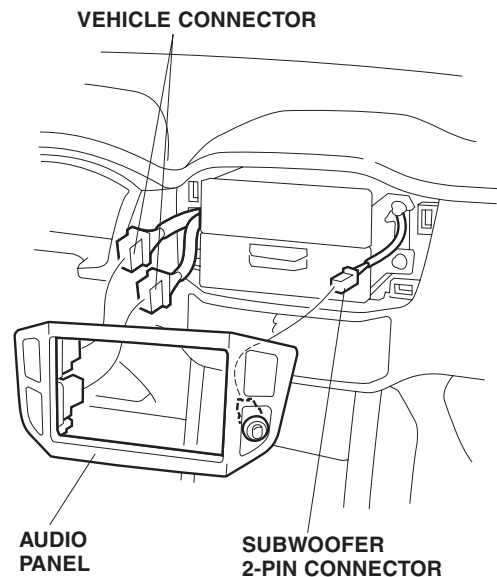
28. On the front of the audio panel measure and mark the panel in the area shown. Using an awl, center punch the marked location.
29. While wearing eye protection, drill a 20 mm hole through the audio panel at the marked location using a 20 mm hole saw. Remove any burrs from the edge of the hole with a file.
30. Install the subwoofer switch into the 20 mm hole in the audio panel.



31. Slide the audio unit into the center panel opening, plug in the vehicle connector and the antenna lead, and reinstall the four bolts.



32. Hold the audio panel near the audio unit panel opening; connect the subwoofer harness 2-pin connector and the vehicle connectors into the audio panel, then reinstall the audio panel.



33. Check that all wire harnesses are routed properly and all connectors are plugged in.
34. Reinstall the passenger's center console lower cover. Reinstall the right and left glove box stops.
35. Reconnect the negative cable to the battery.
36. Enter the customer's radio anti-theft code and reset the radio station presets.
37. Reset the clock.
38. Check the operation of the Subwoofer according to the Owner's Manual supplied with the subwoofer.
39. Reinstall all removed parts.

NOTE: Whenever the battery is disconnected, the driver's AUTO window function is disabled.

40. Start the engine. Push down on the driver's window switch until the window is fully open.
41. Pull up on the driver's window switch to close the window completely, then hold the switch for a second or two more.
42. Test the AUTO window function.