



INSTALLATION INSTRUCTIONS

Accessory

ENGINE BLOCK HEATER
P/N 08T44-SJA-200

Application

2006 PILOT

Publications No.

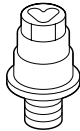
All 30494

Issue Date

SEP 2005

PARTS LIST

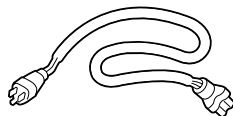
Engine block heater



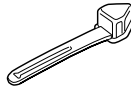
Aluminum washer



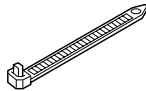
Heater harness



Protective cap



15 Wire ties
(6 not used)



5 Wire ties with clip
(4 not used)



TOOLS AND SUPPLIES REQUIRED

Ratchet

19 mm and 24 mm Sockets

Torque wrench

Diagonal cutters

Heavy gloves

Drain pan

Tape measure

White marker

Coolant (Honda Antifreeze/Coolant only, in a 50/50 mixture with water)

NOTE:

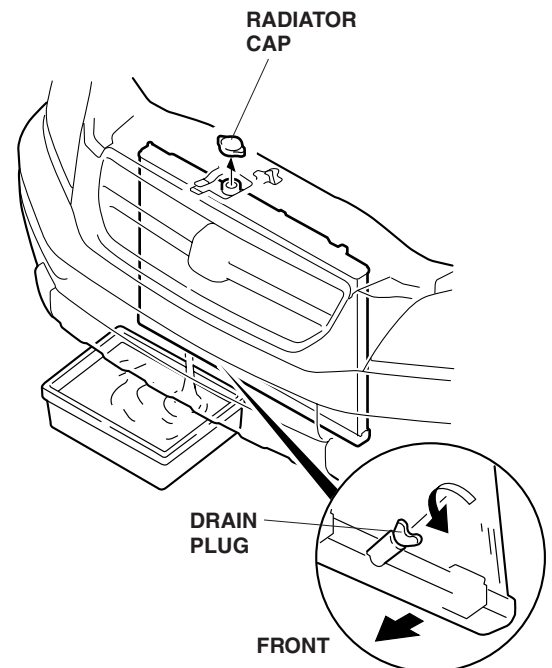
- Always use Honda Antifreeze/Coolant. Using a non-Honda coolant can result in corrosion, causing the cooling system to malfunction or fail.
- To avoid burning out the element, do not operate the engine block heater before it is installed in the vehicle and before you add coolant.

INSTALLATION

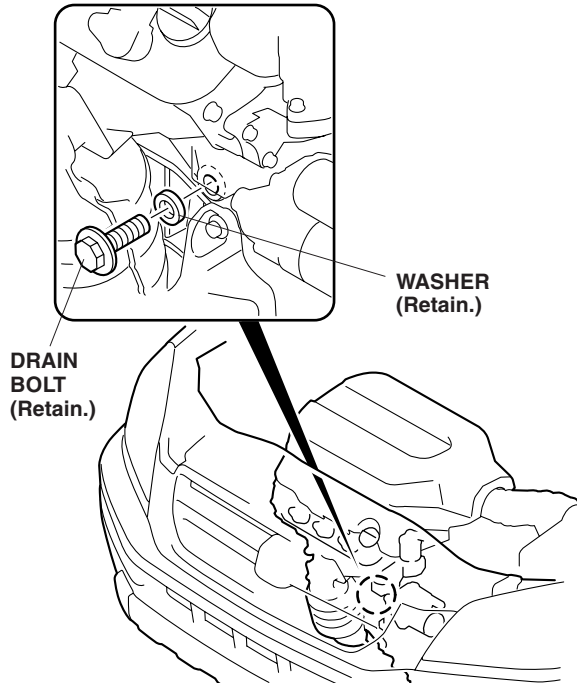
Customer Information: The information in this installation instruction is intended for use only by skilled technicians who have the proper tools, equipment, and training to correctly and safely add equipment to your vehicle. These procedures should not be attempted by “do-it-yourselfers.”

1. Allow the engine and all cooling system components to cool down.
2. Place a clean drain pan under the radiator drain plug, then remove the drain plug from the bottom of the radiator to drain the coolant. Remove the radiator cap to increase the flow.

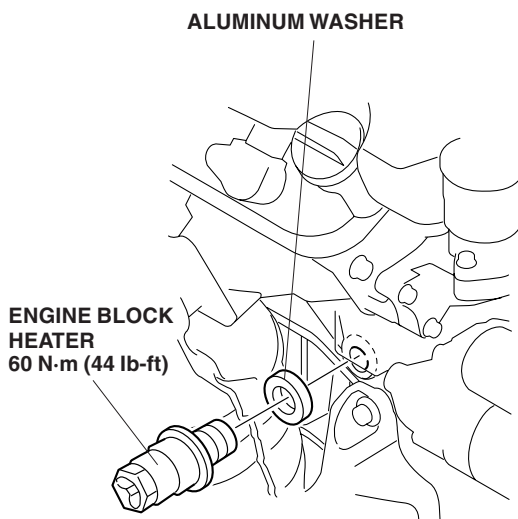
NOTICE Radiator coolant will damage paint. Quickly rinse any spilled coolant from painted surfaces.



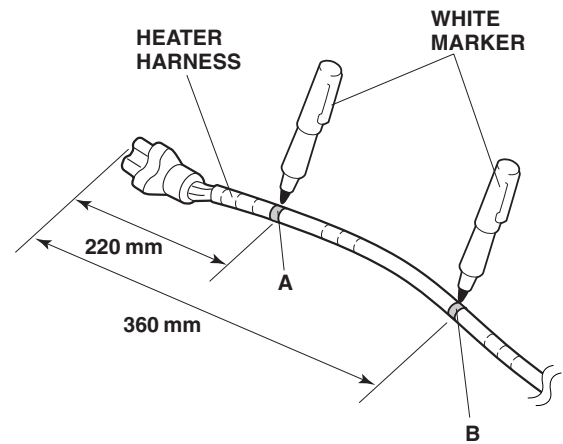
3. Locate and remove the engine block drain bolt and washer. Coolant remaining in the engine jackets flows out of the bolt hole when the bolt is removed. (Retain the bolt and washer in case the block heater is removed.)



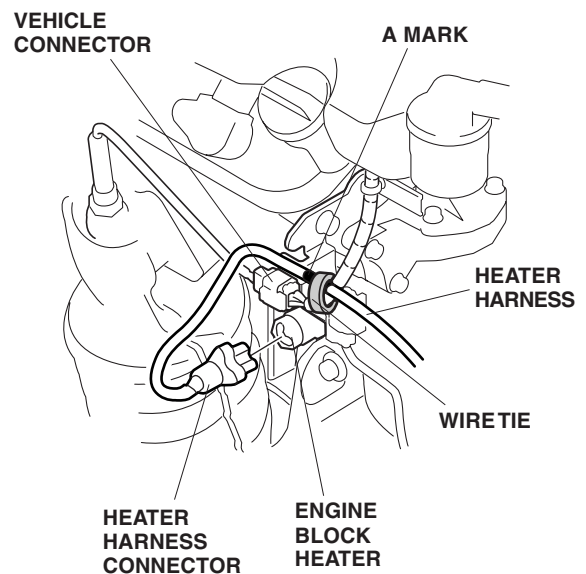
4. While wearing heavy gloves, install the new aluminum washer and the engine block heater into the bolt hole using a 24 mm socket and a torque wrench. Torque the engine block heater to 60 N·m (44 lb-ft).



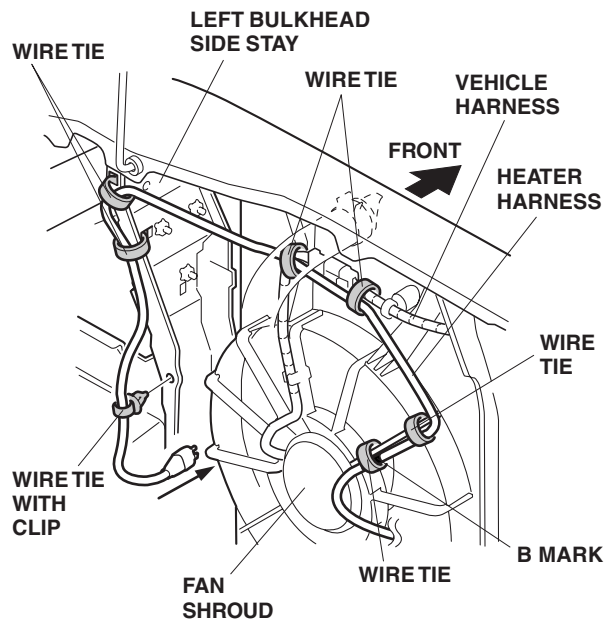
5. Using a tape measure, measure the heater harness and mark it at the A and B points shown.



6. Plug the connector end of the heater harness into the engine block heater. Align the A mark you just made on the heater harness with the end of the vehicle connector and secure the heater harness to the vehicle connector with a wire tie.

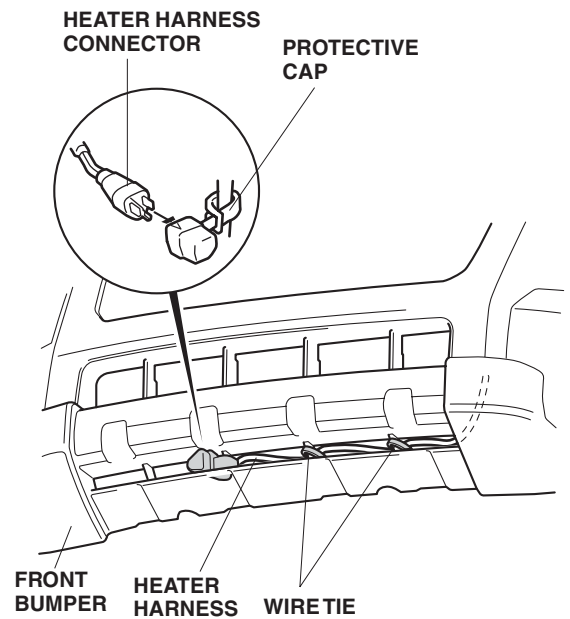


- Align the remaining B mark on the heater harness with the base of the fan shroud rib and secure the heater harness to the fan shroud with a wire tie.



- Route the heater harness along the vehicle harness at the top of the radiator cooling fan to the left side of the vehicle. Continue routing the heater harness down along the left bulkhead side stay and behind the front bumper. Secure the heater harness in the hole in the left bulkhead side stay with one wire tie with clip.
- Secure the heater harness to the fan shroud and the vehicle harness with five wire ties in the areas shown.

- Continue routing the heater harness through the back of the bumper ribs and out on the right as shown.



- Secure the heater harness to the front bumper ribs with the two wire ties in the areas shown.
- Attach the protective cap to the front bumper rib, and plug the connector of the heater harness into the protective cap.
- Reinstall the radiator drain plug.
- Fill the system with the recommended coolant. Follow the instructions described in the service manual.
- Check the coolant reservoir for correct level and signs of leakage. Repair as necessary.
- Check that the heater harness is routed properly and all connectors are plugged in.