



INSTALLATION INSTRUCTIONS

Accessory

**HALF NOSE MASK
P/N 08P35-S9V-100**

Application

PILOT

Publications No.

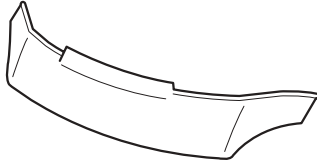
All 23618

Issue Date

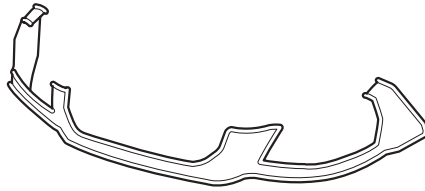
MAY 2002

PARTS LIST

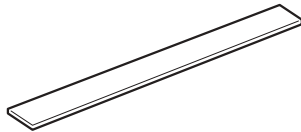
Mask
(hood section)



Mask
(fender section)



2 Plastic strips



2 Snap-screws



2 Washers



2 Fenderwell nuts



TOOLS REQUIRED

Stubby #2 Phillips screwdriver

Clip remover

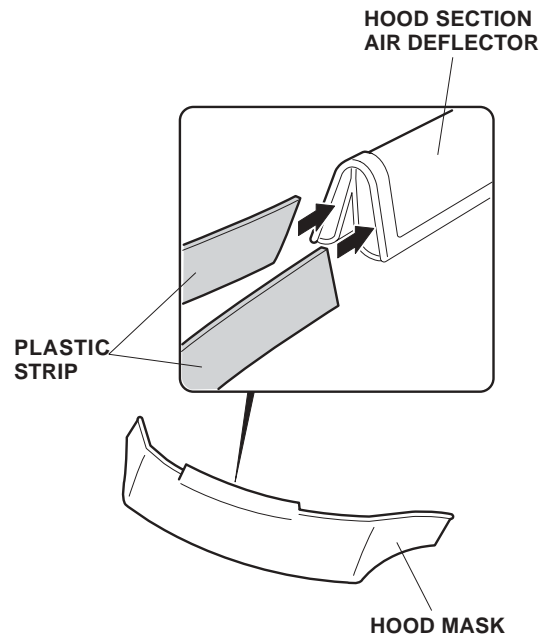
INSTALLATION

NOTE:

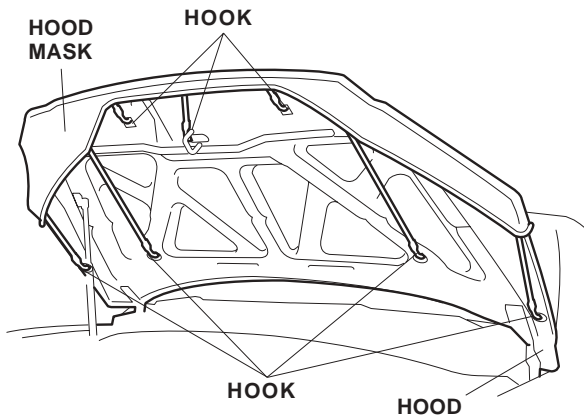
- Make sure the vehicle and the nose mask are clean and completely dry before installation. If moisture under the mask is allowed to dry, it may cloud the paint. If the mask gets wet, remove it and allow it to air-dry completely.
- Make sure any repainted surfaces are cured.
- Make sure the hood and nose of the vehicle have been waxed with a high-quality paste wax.
- Make sure you install the nose mask securely. If the nose mask starts to flap or comes loose while driving, safely pull off the highway, stop the vehicle, and secure or remove the mask.
- The nose mask cannot be installed if the vehicle is equipped with fender flares or an air deflector.

Installing the Hood Section

1. Insert the plastic strips into the pockets of the hood section air deflector.

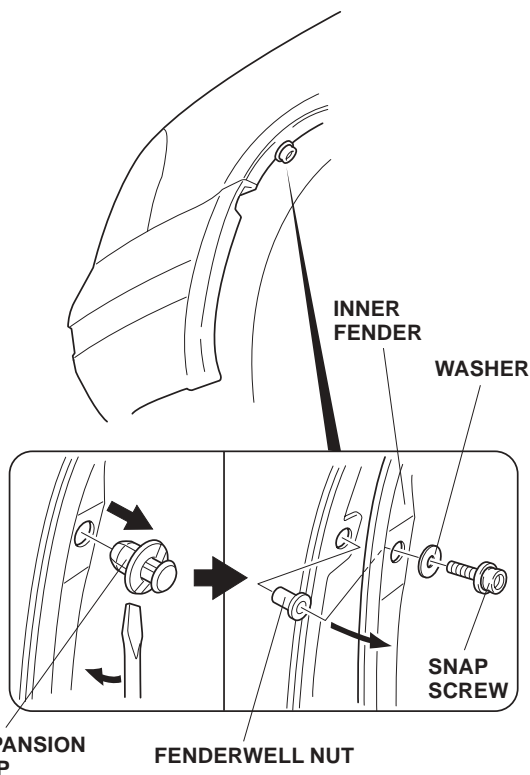


- Open the hood, fit the corners of the hood section around the hood, and adjust the mask so it fits smoothly over the edges. Attach the seven hooks to the holes in the hood.

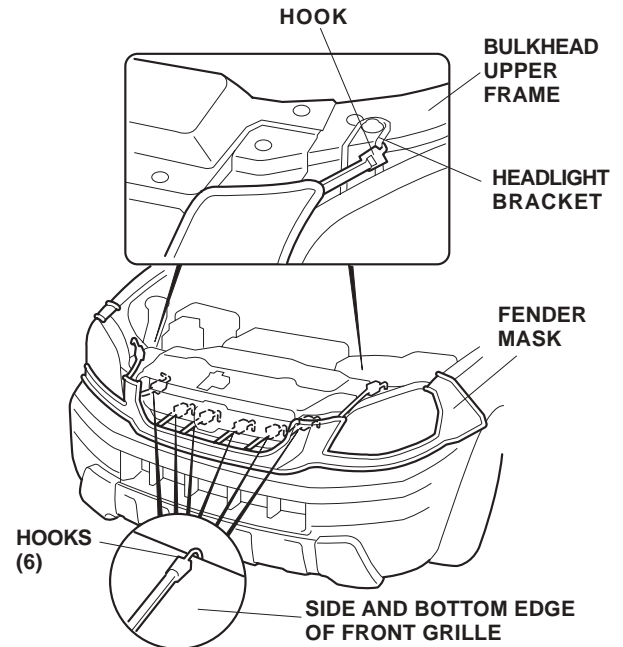


Installing the Fender Section

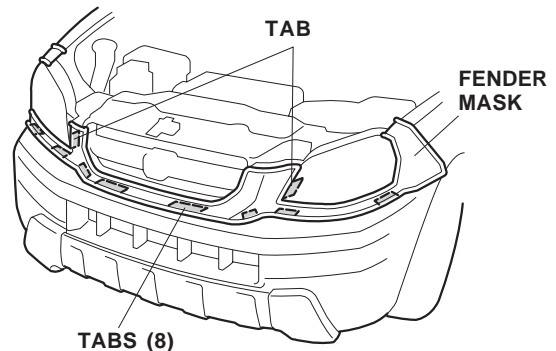
- Turn the steering wheel all the way clockwise.
- Pry out the plastic pin, and remove the expansion clip that fastens the inner fender; remove and retain the clip, then clean the area around the hole.



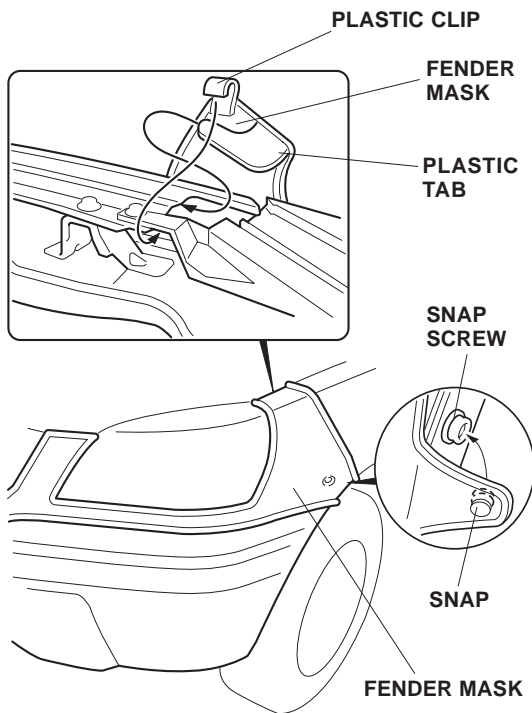
- Pull the inner fender away, and press one fenderwell nut (supplied) into the hole in the fender flange.
- With its washer in place, securely tighten one snap-screw into the fenderwell nut.
- Turn the steering wheel all the way counter-clockwise, and repeat steps 4 through 6 on the other side of the vehicle.
- Attach the two hooks to the headlight brackets.



- Attach the six hooks to the side and bottom edges of the front grille.
- Insert the two tabs between the headlight and the bumper, and insert eight tabs between the grille and the bumper.



- Slide the plastic tab of the mask's fender section into the opening at the front corner of the fender, then attach the plastic clip to the top inside edge of the fender. Fit the mask across the bumper.



- Pull the mask back toward the wheelwell, smooth out any wrinkles, and then snap the mask onto the snap-screw.
- Repeat steps 11 and 12 on the other side.
- Put these instructions along with the plastic pins and expansion clips (removed in step 4) into the storage bag, and place it in the trunk for future use.

CLEANING THE NOSE MASK

Use a sponge or cloth and a solution of mild liquid dishwashing soap and water to clean the vinyl and the flannel backing. Rinse the mask completely with clean water, and hang it to dry, out of direct sunlight. Make sure the mask is completely dry before you reinstall it.