

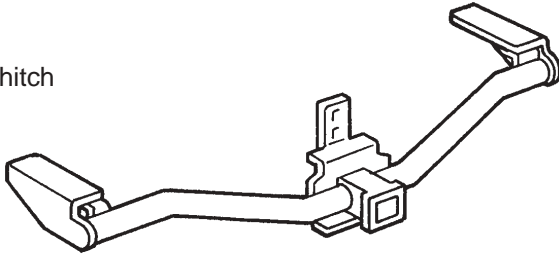


INSTALLATION INSTRUCTIONS

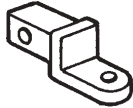
Accessory	Application	Publications No. All 23634
TRAILER HITCH	PILOT	Issue Date MAY 2002

PARTS LIST

Trailer hitch



Ball mount



Hitch pin



Hitch pin clip



8 Bolts, 12 x 40 mm



2 Bolts, 10 x 30 mm



2 Bolts, 8 x 20 mm



8 Plain washers, 12 mm



2 Plain washers, 10 mm



2 Plain washers, 8 mm



8 Spring washers, 12 mm



2 Spring washers, 10 mm



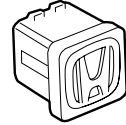
2 Spring washers, 8 mm



2 Spacers



Receiver cover



TOOLS AND SUPPLIES REQUIRED

Ratchet

13 mm, 17 mm, and 19 mm Sockets

Utility knife

Torque wrench

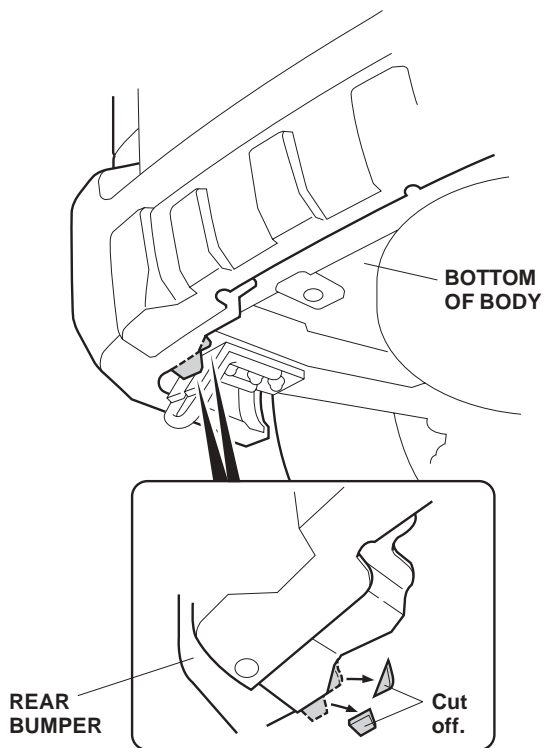
INSTALLATION

Customer Information: The information in this installation instruction is intended for use only by skilled technicians who have the proper tools, equipment, and training to correctly and safely add equipment to your vehicle. These procedures should not be attempted by "do-it-yourselfers."

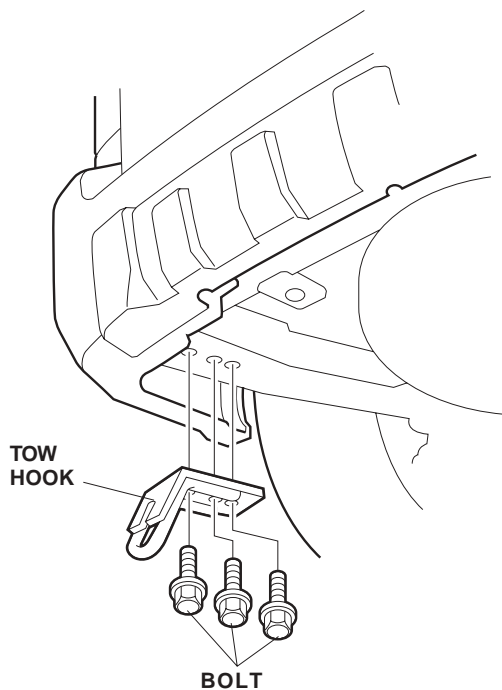
NOTE:

- Optional ATF and power steering coolers are required when installing the trailer hitch. Have the recommended coolers available so they can be installed.
- Be careful not to damage the rear bumper or other finished surfaces of the body.

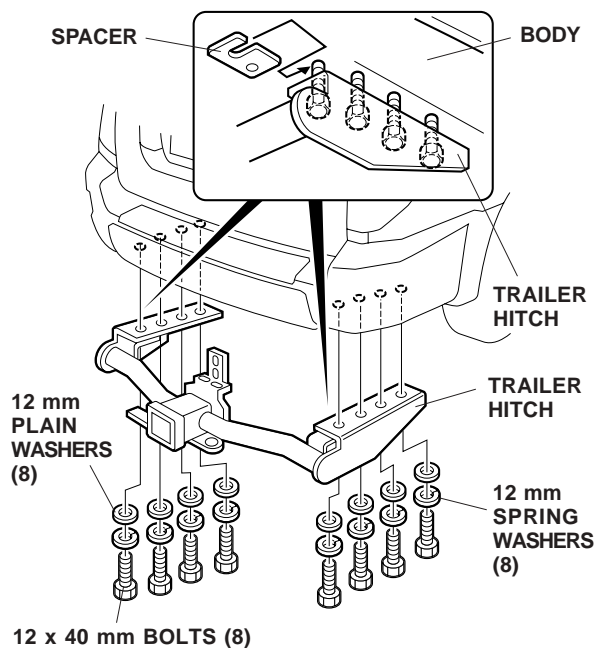
- Using diagonal cutters, trim the left side of the rear bumper in the area shown. Trim the right side of the rear bumper the same way.



- Remove the tow hook (three bolts). Save the tow hook and bolts for your customer.

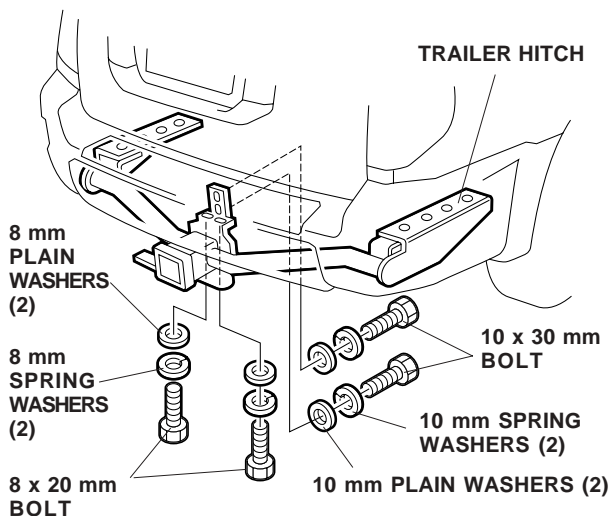


- With the help of an assistant, install the trailer hitch on the body, using the eight 12 x 40 mm bolts, eight 12 mm plain washers, and eight 12 mm spring washers. Do not tighten the bolts yet.



- Insert one spacer between the trailer hitch and the body. Do not tighten the trailer hitch bolts yet.

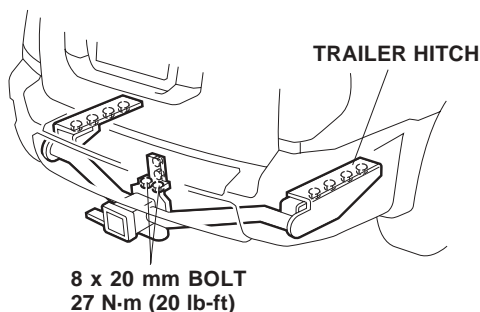
- Loosely install the two 10 x 30 mm bolts, and the two 8 x 20 mm bolts all with plain washers and with spring washers.



- Torque the trailer hitch mounting bolts in this order:

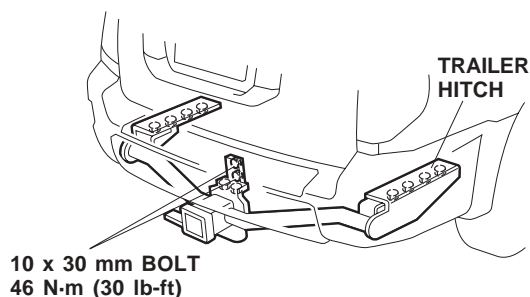
1

- Two 8 x 20 mm bolts to 27 N·m (20 lb-ft).



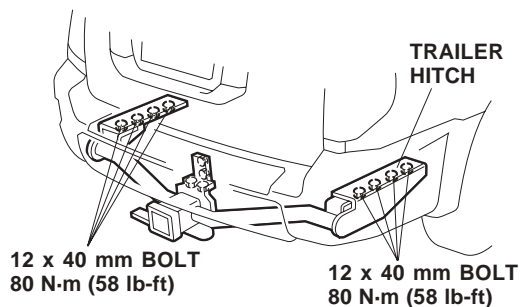
2

- Two 10 x 30 mm bolts to 46 N·m (33 lb-ft).

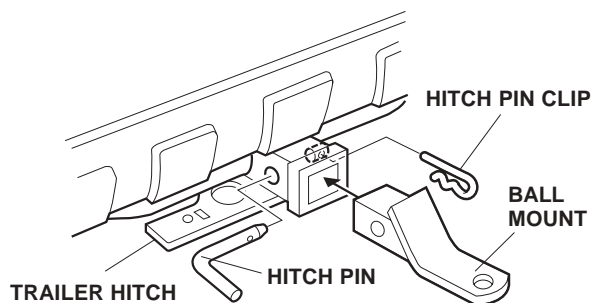


3

- Eight 12 x 40 mm bolts (installed in step 3) to 80 N·m (58 lb-ft).



- Slide the ball mount into the opening at the end of the trailer hitch.



- Slide the hitch pin through the trailer hitch and ball mount, then install the hitch pin clip in the hole in the end of the hitch pin.

NOTE: Tell your customer to retighten the trailer hitch nuts and bolts after about 620 miles (1,000 km) of use.

Put a Copy of This Page in the Glove Box for Your Customer

Installing the Receiver Cover

Whenever you remove the hitch pin clip, the hitch pin, and the ball mount, securely store them in the cargo area. Then install the receiver cover into the opening at the end of the trailer hitch. When you reinstall the ball mount, store the receiver cover in the cargo area.

