



INSTALLATION INSTRUCTIONS

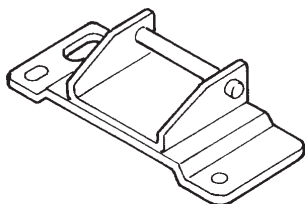
Accessory
**BICYCLE ATTACHMENT,
 INTERIOR**
 P/N 08L07-S9V-100A

Application
PILOT

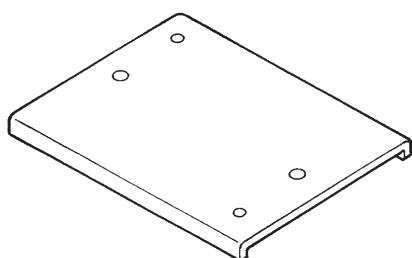
Publications No.
All 25847
 Issue Date
AUG 2003

PARTS LIST

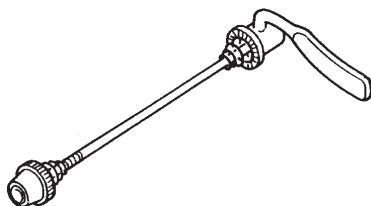
Holder



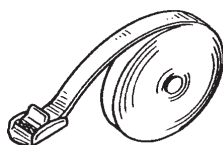
Bracket



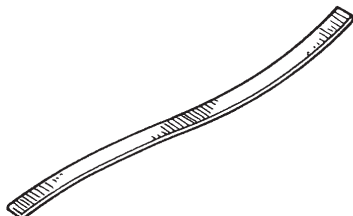
Quick shaft



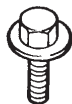
Belt



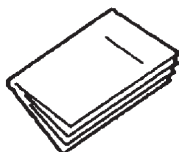
2 Velcro fasteners



2 Washer-bolts



Owner's Manual



TOOLS AND SUPPLIES REQUIRED

12 mm Combination wrench

Drill

3 mm and 10 mm Drill bits

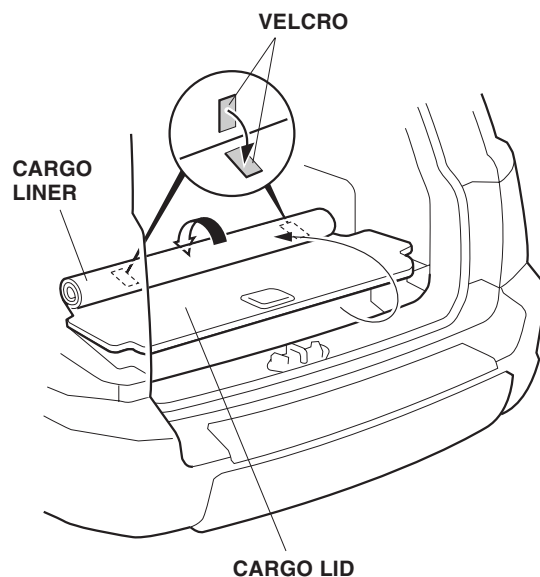
Eye protection (face shield, safety goggles, etc.)

INSTALLATION

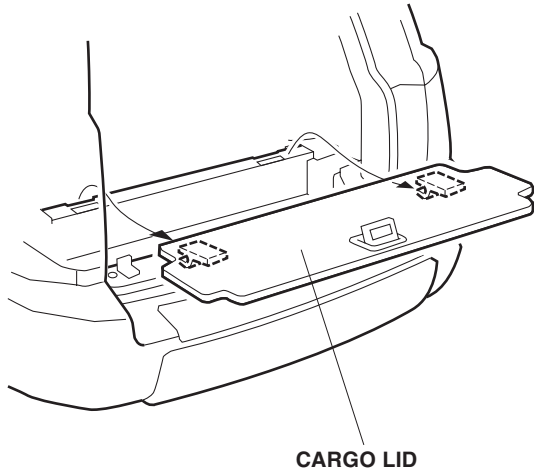
Customer Information: The information in this installation instruction is intended for use only by skilled technicians who have the proper tools, equipment, and training to correctly and safely add equipment to your vehicle. These procedures should not be attempted by "do-it-yourselfers."

NOTE:

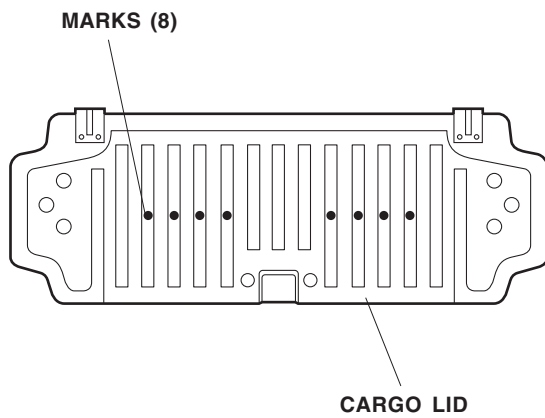
- Determine the type of bicycle (mountain or road) that the bicycle attachment will carry.
- If a cargo liner is installed, remove the cargo liner from the cargo lid, and roll up the cargo liner. Attach the Velcro of the rolled-up cargo liner to the Velcro on the cargo liner.



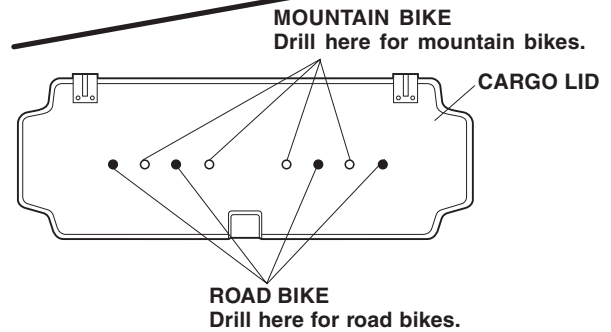
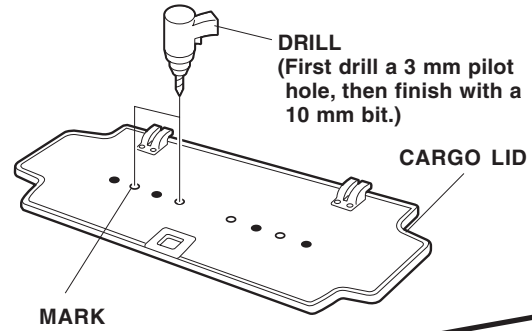
1. Open the tailgate and remove the cargo lid.



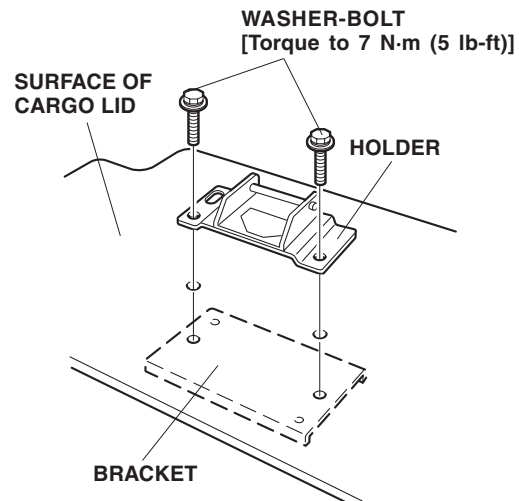
2. Turn the lid over, and locate the eight marks on the surface of the cargo lid.



3. While wearing eye protection, drill a 3 mm pilot hole and finish with a 10 mm hole through one set of two marks as indicated, depending on which side you want to mount the bicycle attachment. Drill the appropriate holes depending on the type of bicycle to be carried.



4. Position the holder and bracket on the cargo lid, and install the two washer-bolts. Torque the bolts to 7 N·m (5 lb-ft).



5. To install the bicycle to the attachment, refer to the owner's manual supplied.