

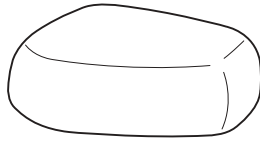


# INSTALLATION INSTRUCTIONS

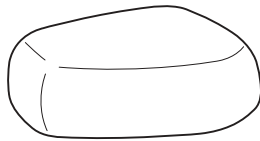
Accessory	Application	Publications No.
<b>DOOR MIRROR COVERS P/N 08R06-S9V-100</b>	<b>PILOT</b>	<b>All 23609</b>
		Issue Date
		<b>MAY 2002</b>

## PARTS LIST

Left door mirror cover



Right door mirror cover



## SUPPLIES REQUIRED

Isopropyl alcohol

Shop towel

Adhesive tape

## INSTALLATION

### NOTE:

- Be careful not to damage the mirror housing finish.
- These instructions show the left door mirror cover being installed; the same procedure applies to installing the right door mirror cover.
- This door mirror cover should only be installed if the ambient air temperature is 60°F (15°C) or above.

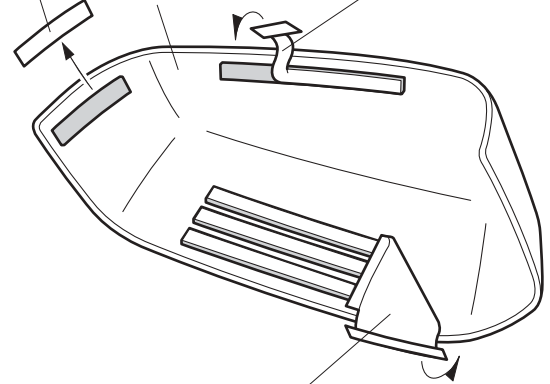
1. Using isopropyl alcohol on a shop towel, clean the area where the left door mirror cover will attach.

**ADHESIVE BACKING**  
Remove.

**LEFT DOOR MIRROR COVER**

### ADHESIVE BACKING

Attach a strip of adhesive tape to the ends, and remove 1 to 2 inches of adhesive backing, fold the ends up and tape them to the front surface of the cover.

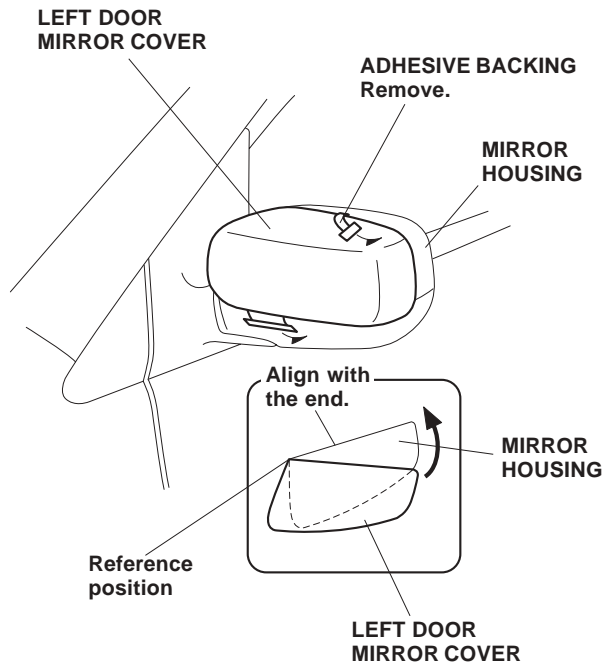


### TAB

Attach a strip of adhesive tape to the ends, and fold the ends up and tape them to the front surface of the cover.

2. Attach strips of masking tape to the ends of the upper adhesive backing and center tab and remove 1 to 2 inches from those ends. Fold the ends up and temporarily tape them to the surface of the door mirror cover. Remove the remaining adhesive backings.

3. Align the left door mirror cover at the reference position on the mirror housing. Using that position as the pivot point, place the left door mirror cover to the mirror housing. Carefully remove the adhesive backings from the left door mirror cover while holding pressure on the cover.



4. Using the palm of your hand firmly press the mirror cover against the mirror for 30 seconds particularly at the edges.
5. Repeat steps 1 through 4 to install the right door mirror cover on the right side of the vehicle.