

H HONDA INSTALLATION INSTRUCTIONS	Accessory	Application	Publications No.
	WOOD SHIFT KNOB P/N 08U92-S30-100G	2000 PRELUDE (A/T)	All 21022
			Issue Date
			SEP 1999

PARTS LIST

Wood shift knob

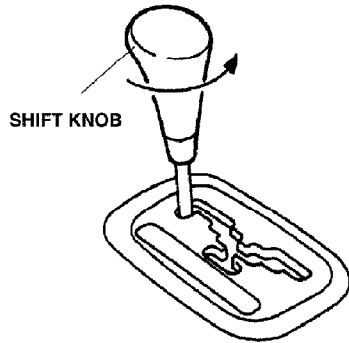


Rubber O-ring

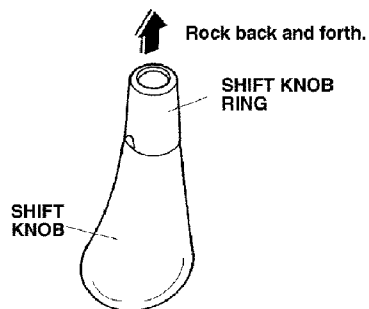


INSTALLATION

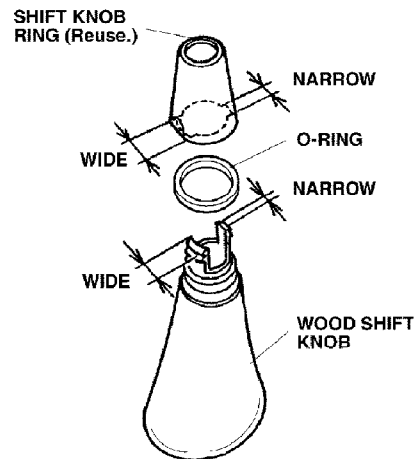
1. Remove the shift knob from the select lever by turning the knob counterclockwise.



2. Remove the shift knob ring from the shift knob by pulling it up and rocking it back and forth.



3. Place the rubber O-ring on the new wood shift knob, then slide the shift knob ring onto the new wood shift knob by aligning the ring and the knob.



4. Install the wood shift knob onto the select lever. Turn the shift knob 9 to 10 full turns clockwise.

