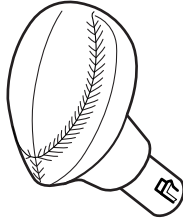


ACURA
INSTALLATION
INSTRUCTIONS

Accessory	Application	Publications No. BII 32610
SELECT KNOB		Issue Date JULY 2006

PARTS LIST

Select knob



2 Screws



Push knob ring



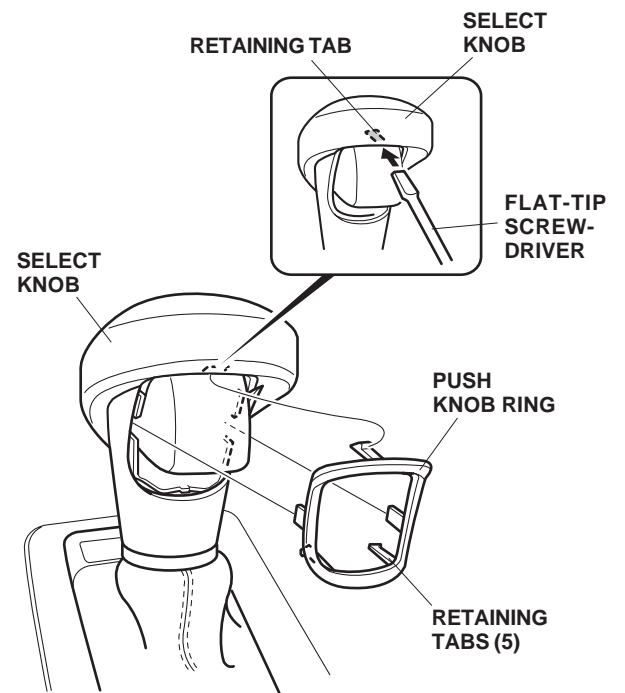
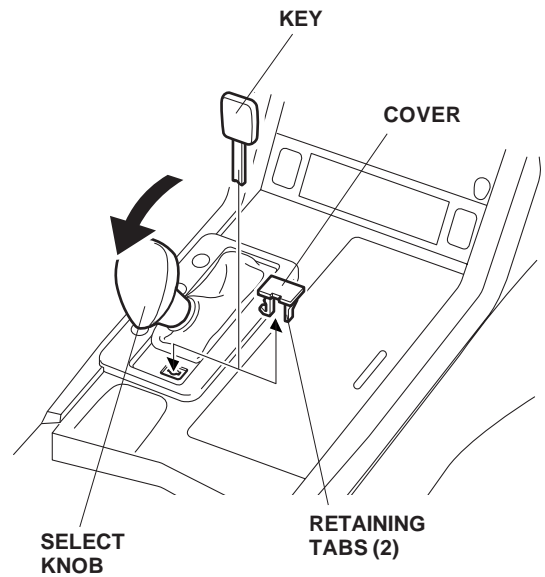
TOOLS REQUIRED

Phillips screwdriver

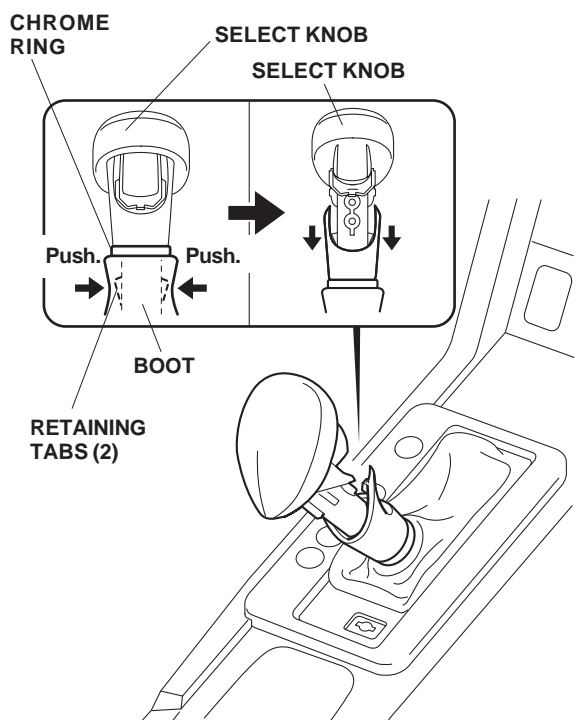
Flat-tip screwdriver

TORX screwdriver (T/N; CDI 401 SM)

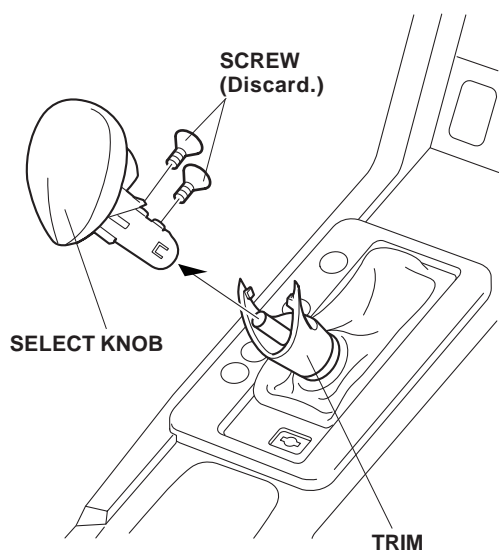
(Available through the American Honda Tool and Equipment Program; call (888) 424-6857)



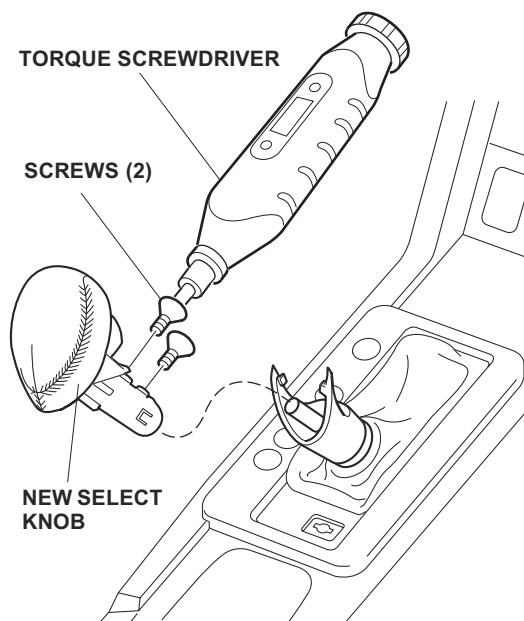
- Lower the boot by pushing the two retaining tabs in the positions shown.



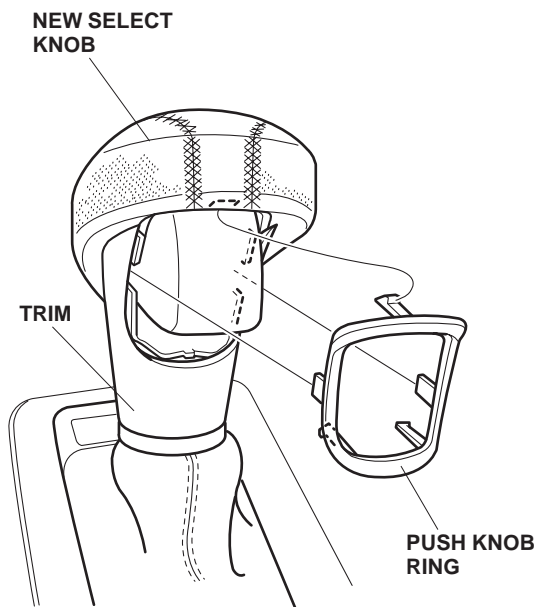
- Remove the two screws from select knob, and remove the select knob.



- Install the new select knob using the two screws. Using a TORX screwdriver, torque the screws to 1.57 N·m (14 lb-in). Do not overtighten the screws.



- Install the new push knob ring to the trim.



- Reinstall the trim ring cover.