



# INSTALLATION INSTRUCTIONS

Accessory  
**ROOF RAILS**  
P/N 08L02-TX4-200

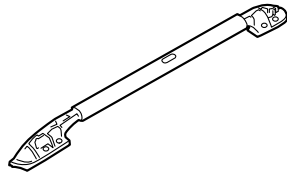
Application  
**2013 RDX**

Publications No.  
**BII 13459**  
Issue Date  
**APR 2012**

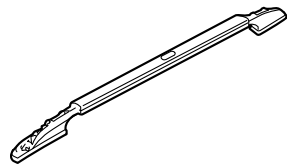
Supersedes Installation Instruction BII 13459 dated MAR 2012.

## PARTS LIST

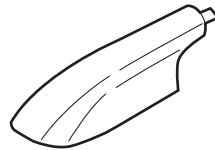
Roof left rail



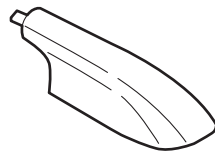
Roof right rail



Roof left rail front cover



Roof right rail front cover



Roof left rail rear cover



Roof right rail rear cover



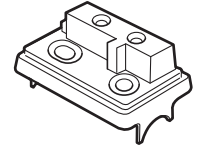
4 Short Torx bolts



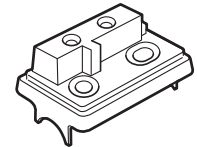
4 Washers



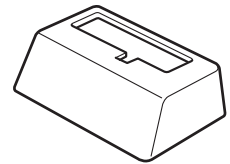
Right center stay



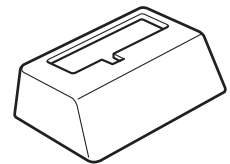
Left center stay



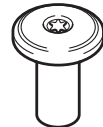
Right center cover



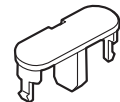
Left center cover



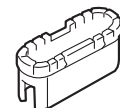
12 Torx nuts



2 Rail caps



2 Spacers A



10 Spacers B



## TOOLS AND SUPPLIES REQUIRED

Flat-tip screwdriver

T-30 Torx bit

Tape measure

Blanket

File

Approx. 120 mm height empty cardboard box

Eye protection (safety goggles, face shield, etc.)

Torque wrench

Drill

3 mm and 6 mm Drill bits

Ruler

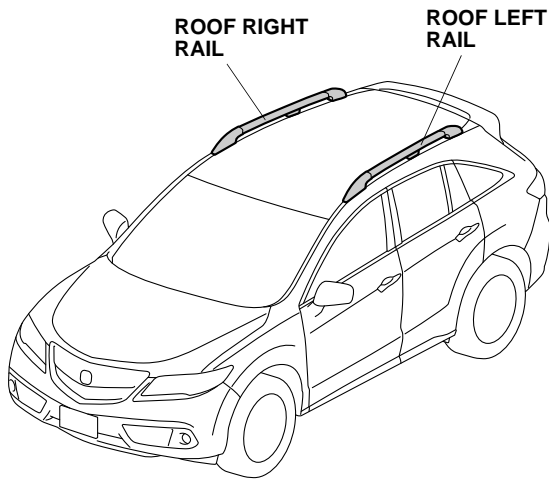
Felt-tip pen

*The following tools are available through the Honda Tool and Equipment Program. On the iN, click on: Service > Service Bay > Tool and Equipment Program, then enter the number under "Search". Or, call 888-424-6857.*

Air saw (T/N AT192A)

Plastic Trim Tool (T/N SILTRIMTL10)

### Illustration of the Roof Rails on the Vehicle



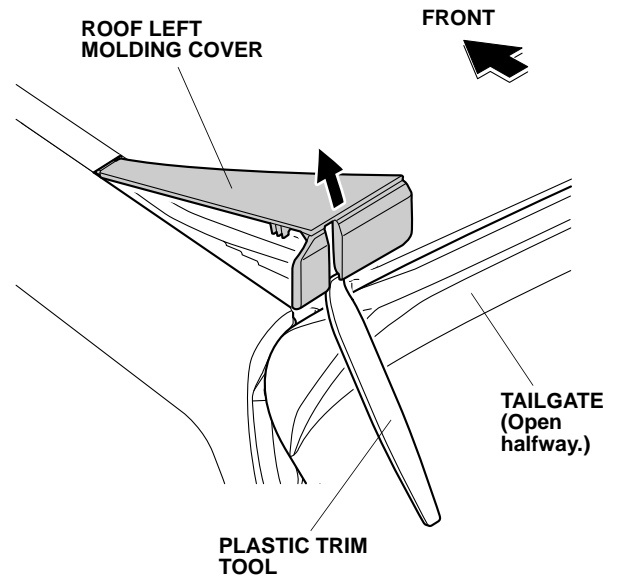
## INSTALLATION

**Client Information:** The information in this installation instruction is intended for use only by skilled technicians who have the proper tools, equipment, and training to correctly and safely add equipment to your vehicle. These procedures should not be attempted by "do-it-yourselfers."

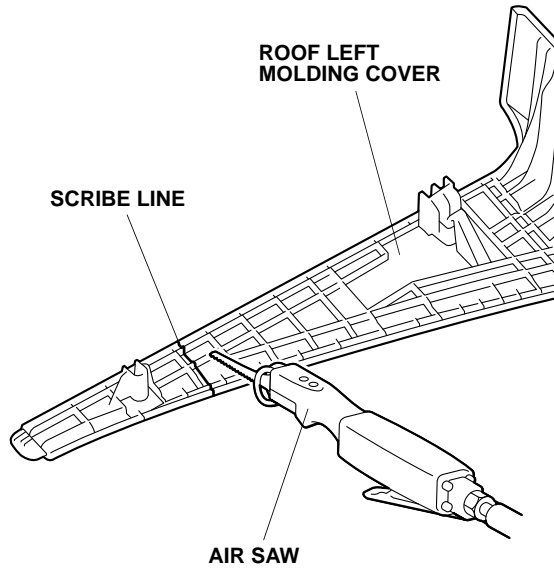
### NOTE:

- Do not damage the roof and other finished surfaces of the body when installing the roof rails.
- Do not interchange the front and rear parts or the right and left parts.

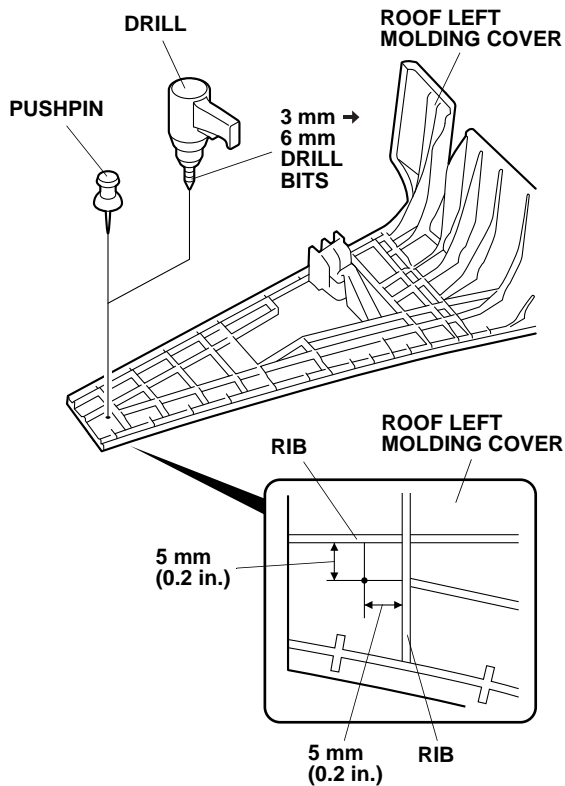
1. Open the tailgate halfway. Using a plastic trim tool, pry up the rear edge of the roof left molding cover.



2. While wearing eye protection, use an air saw to cut off the roof left molding cover at the scribe line as shown. Remove any burrs.

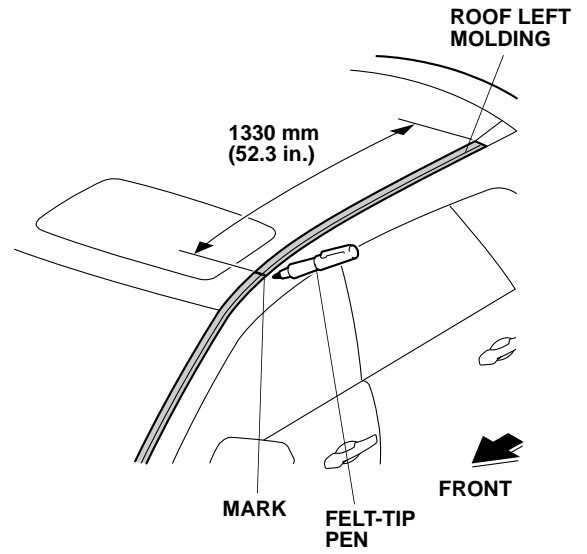


3. Using a pushpin, pierce the roof left molding cover at the measurement shown.

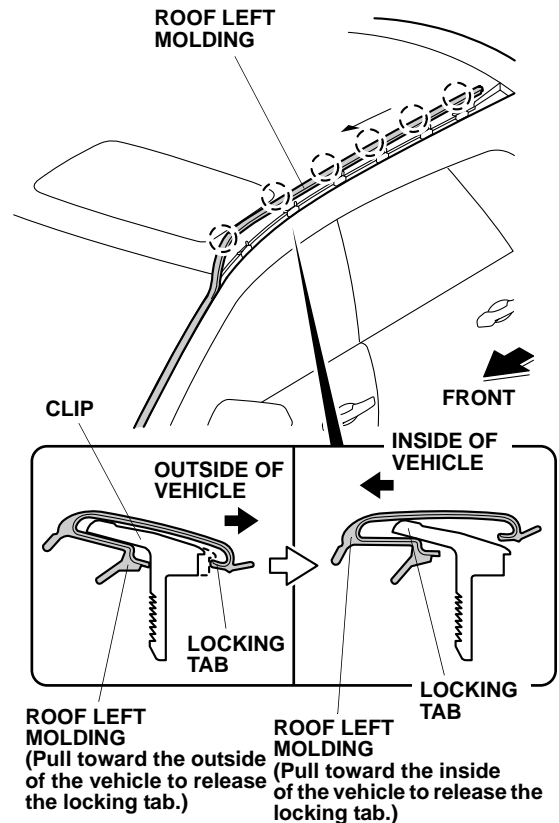


4. While wearing eye protection, drill the pierced mark with a 3 mm drill bit. Enlarge the hole with a 6 mm drill bit. Remove any burrs.

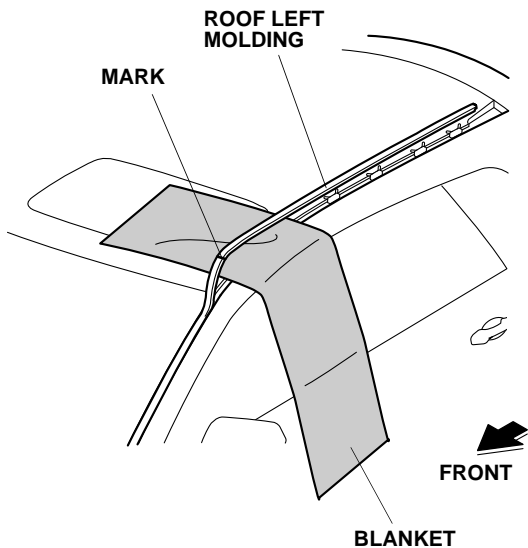
5. Measuring from the rear, mark the roof left molding at the measurement shown.



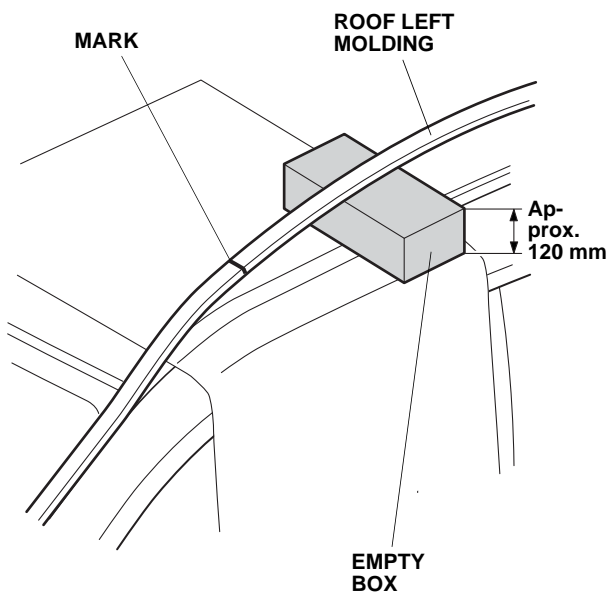
6. Pull the roof left molding toward the outside of vehicle to release the locking tab, press the locking tab toward the inside of vehicle, then release the roof left molding from the vehicle. When removing the roof left molding, start from the rear of the vehicle and work towards the front.



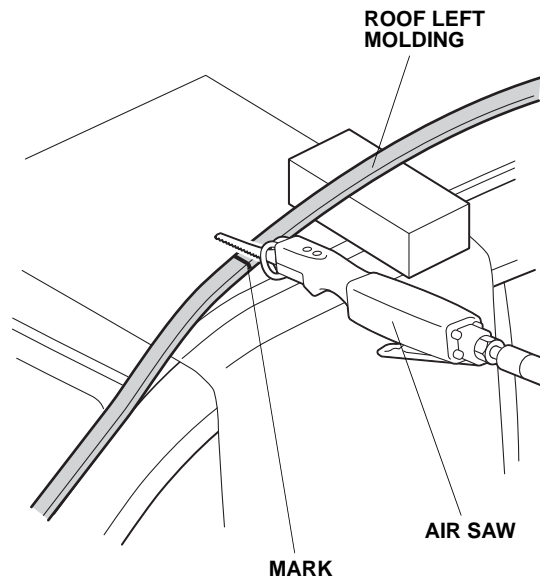
7. Place a blanket over the roof of the vehicle under the mark on the roof left molding. Be careful not to deform the roof left molding when measuring and cutting.



8. Place an empty cardboard box (approx. 120 mm tall) under the roof left molding near the mark.

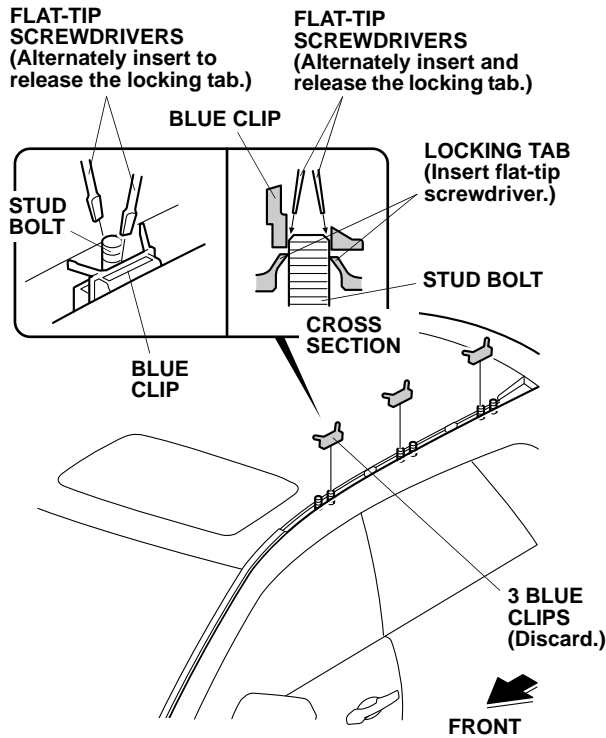


9. While wearing eye protection, use an air saw to cut the roof left molding at the mark. Do not use a cutting wheel or shears to cut the molding, it will damage the roof left molding. Have an assistant hold the rear edge while cutting.

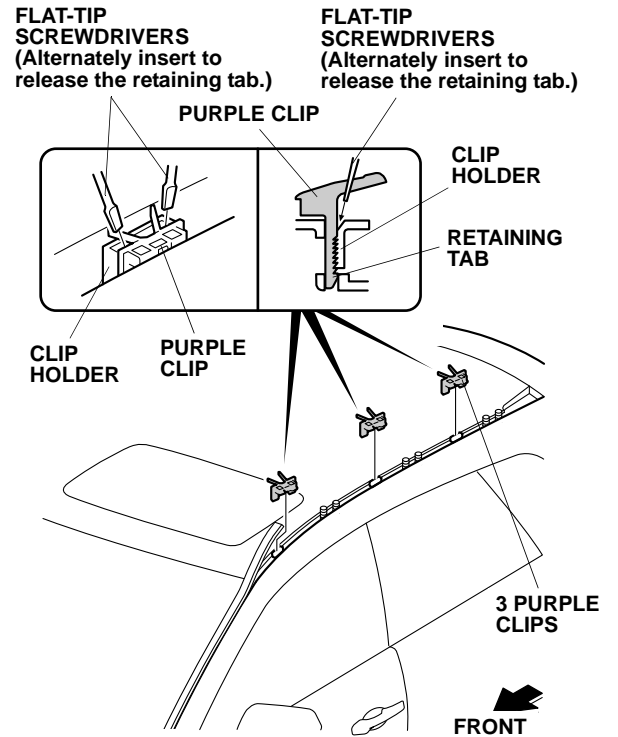


10. Remove the empty box and blanket.

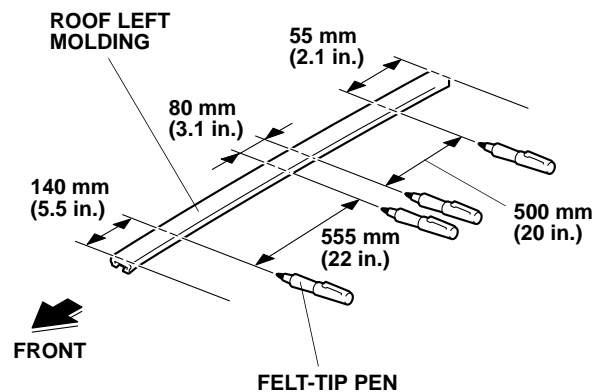
- Insert two flat-tip screwdrivers alternately between the blue clip and the stud bolt as shown. While pulling on the blue clip, release the locking tab on the blue clip from the groove on the stud bolt notch by notch, and remove the blue clip. Remove the remaining two clips.



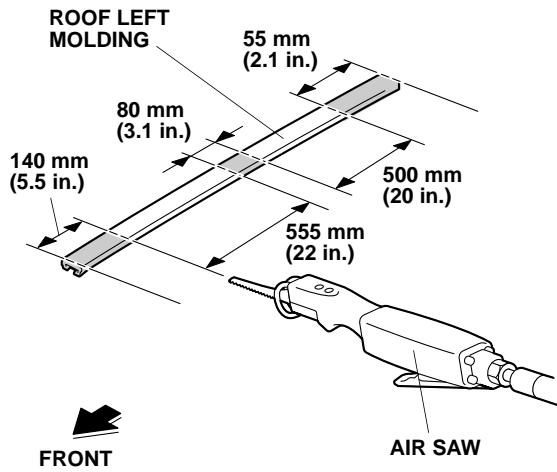
- Insert two flat-tip screwdrivers alternately between the purple clip and clip holder as shown. While pulling on the purple clip, release the retaining tab on the purple clip from the clip holder, and remove the purple clip. Remove the remaining two clips.



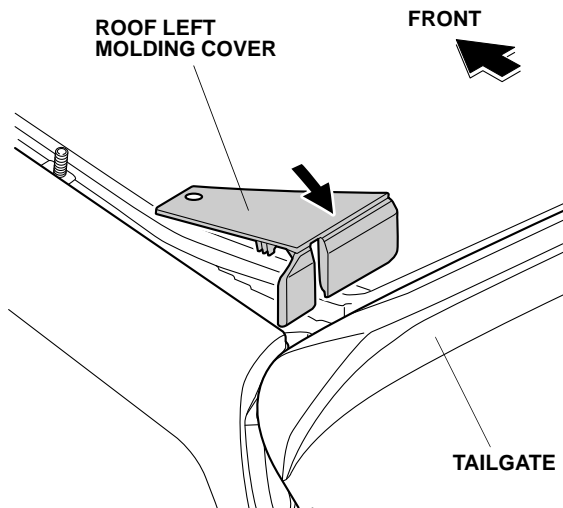
- Mark the roof left molding at the measurements shown.



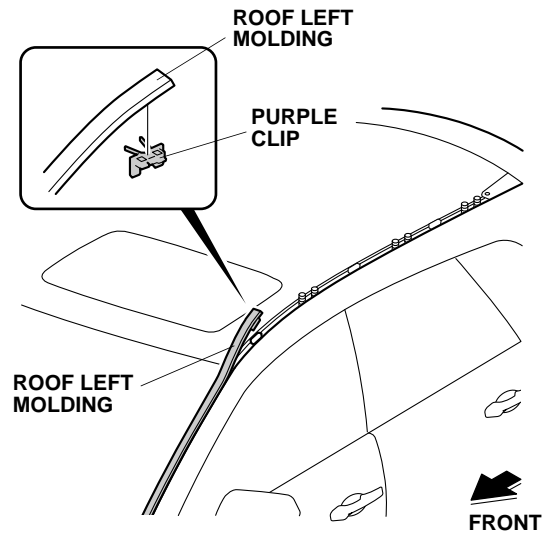
14. While wearing eye protection, use an air saw to cut the roof left molding at the marks made in step 13.



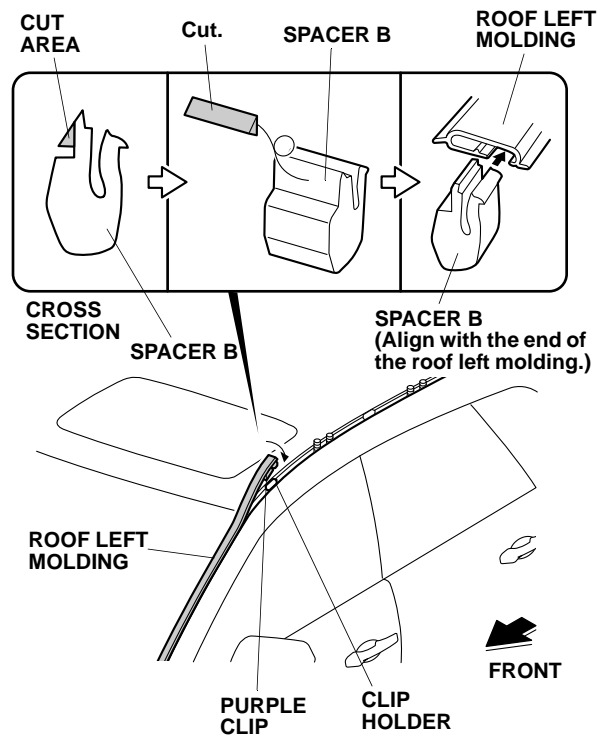
15. Reinstall the roof left molding cover.



16. Install the purple clip removed in step 12 to the roof left molding.

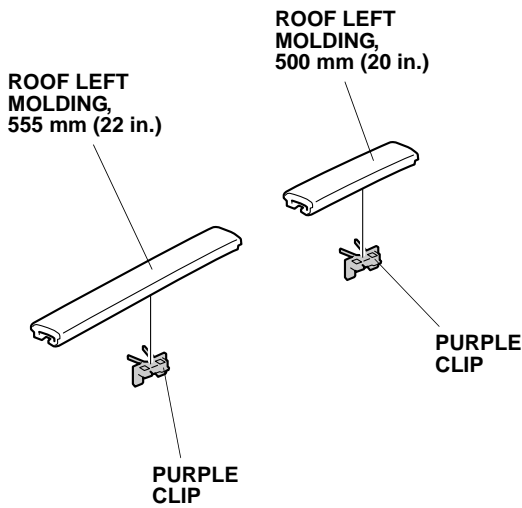


17. Using a utility knife, cut the one spacer B as shown.

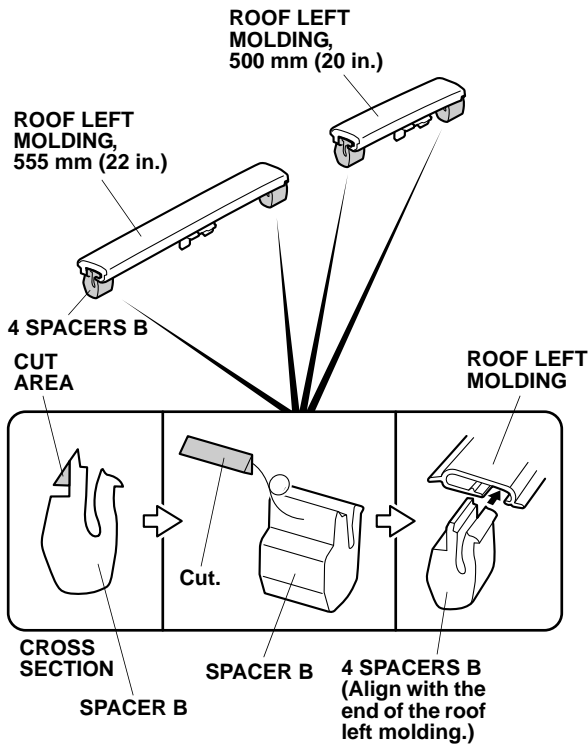


18. Install the one spacer B into the end of the roof left molding.  
 19. Install the roof left molding to the clip holder.

20. Install the purple clips removed in step 12 to the cut pieces of the roof left molding.

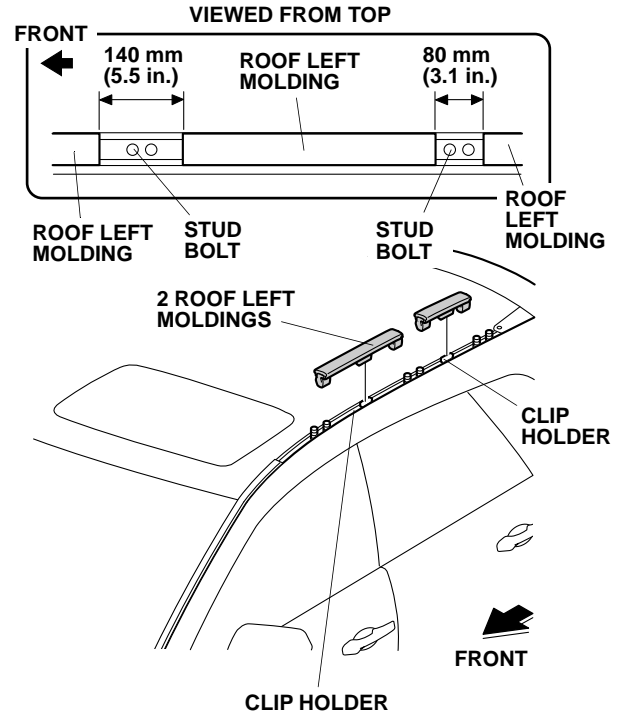


21. Using a utility knife, cut four spacers B as shown.

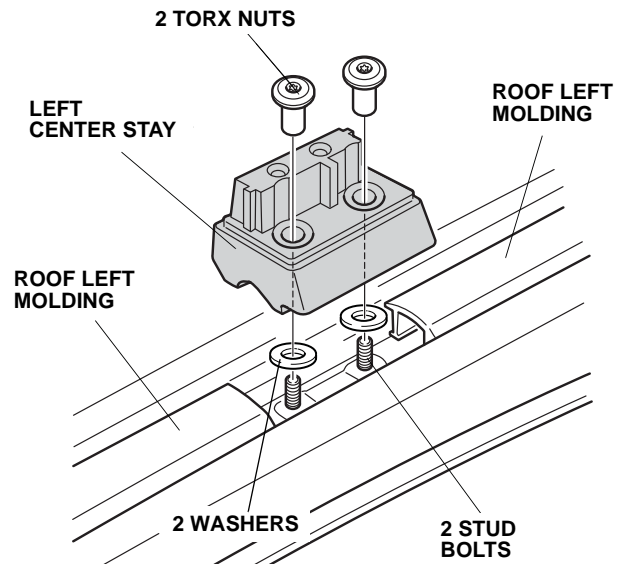


22. Install the four spacers B into the ends of the pieces of the roof left molding.

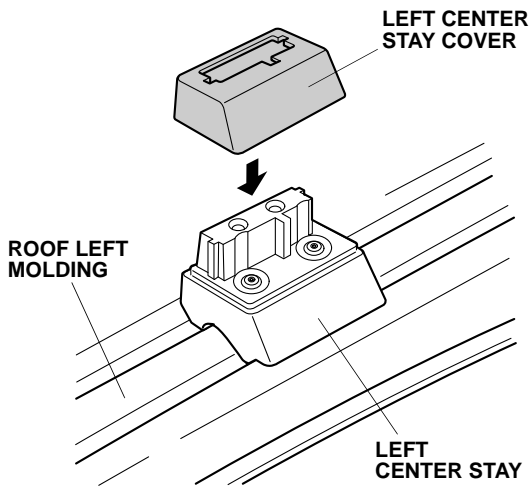
23. Install the roof left moldings onto the clip holders.



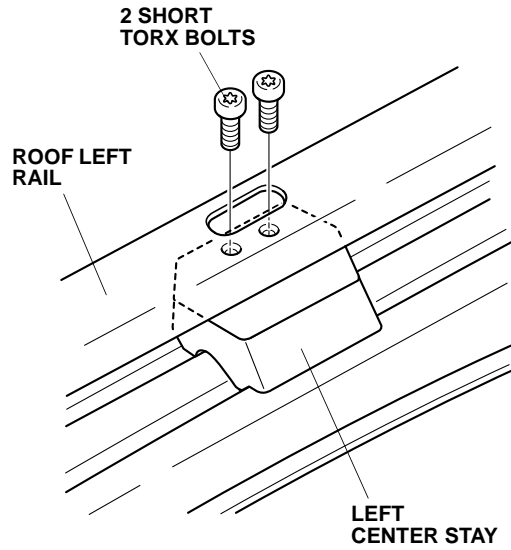
24. Install two washers over the stud bolts. Install the left center stay, and secure it with two Torx nuts. Torque the Torx nuts to 10-15 N·m (8-11 lbf·ft).



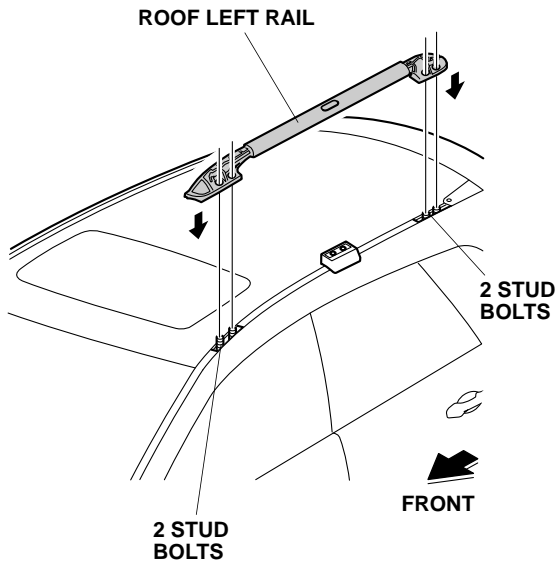
25. Install the left center cover onto the left center stay.



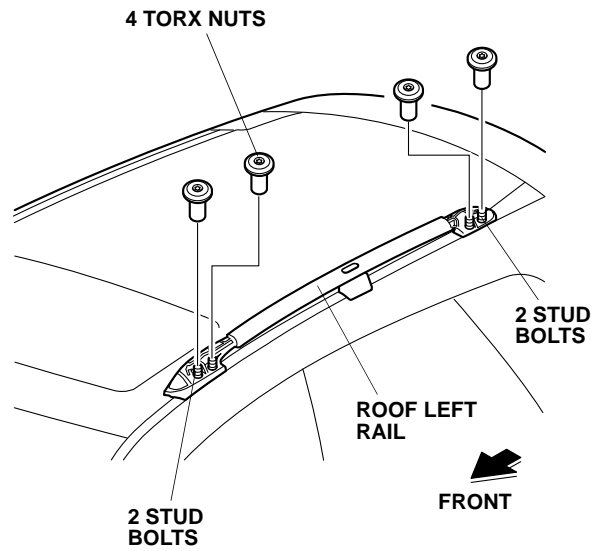
27. Secure the roof left rail to the left center stay with two short Torx bolts. Torque the short Torx bolts to 7-12 N·m (5-9 lbf-ft).



26. Install the roof left rail onto the four stud bolts.

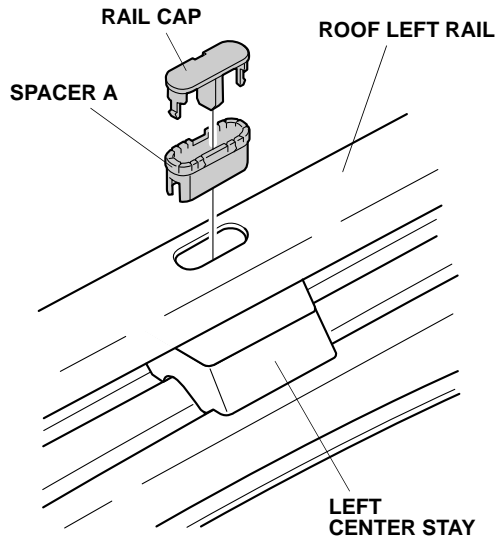


28. Secure the roof left rail to the four stud bolts with four Torx nuts. Torque the Torx nuts to 10-15 N·m (8-11 lbf-ft).

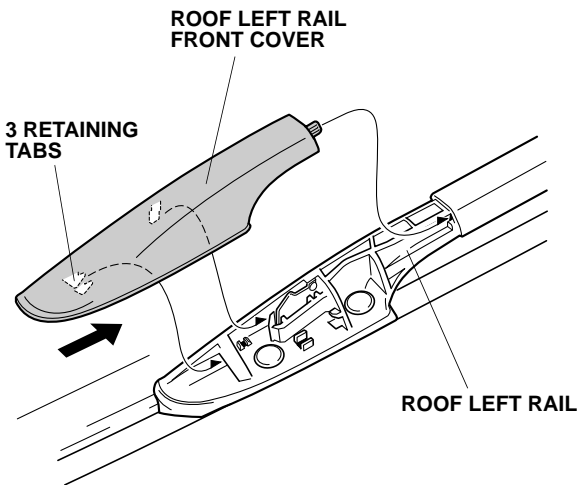




29. Install a spacer A and the rail cap to the roof left rail.



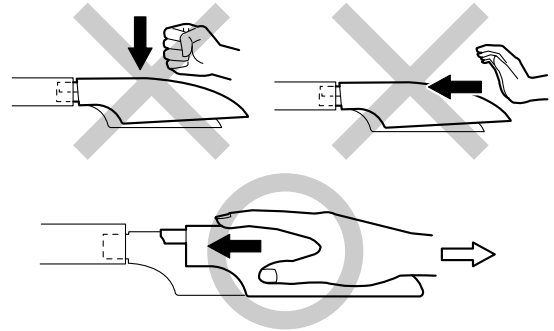
30. Install the roof left rail front cover to the roof left rail with three retaining tabs.



31. Install the roof left rail rear cover to the roof left rail with three retaining tabs.

32. Repeat steps 5 through 31 on the right side of the vehicle.

33. After installation, move the covers back and forth to verify that they are installed securely.



#### USE AND CARE

Check the roof rail mounting bolts frequently, and re-tighten if necessary.